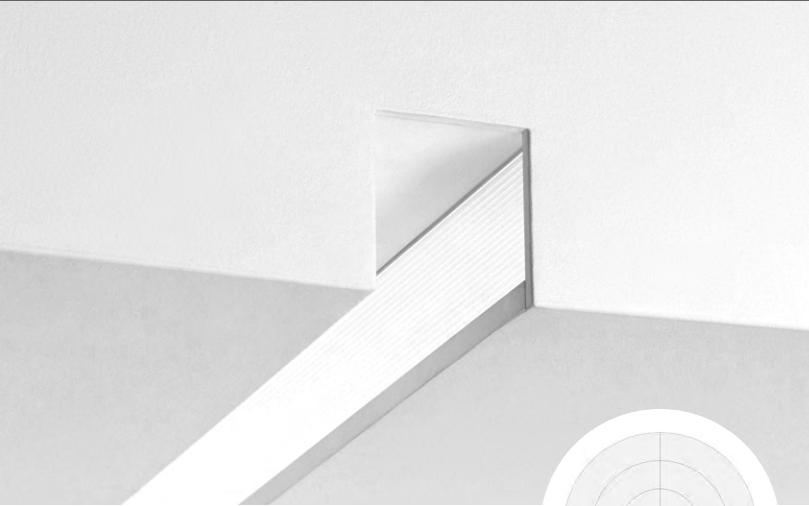


# FLUXWERX®

SPECIFICATION DATA

## NOTCH 2 AREA SYMMETRIC (NT1-B)

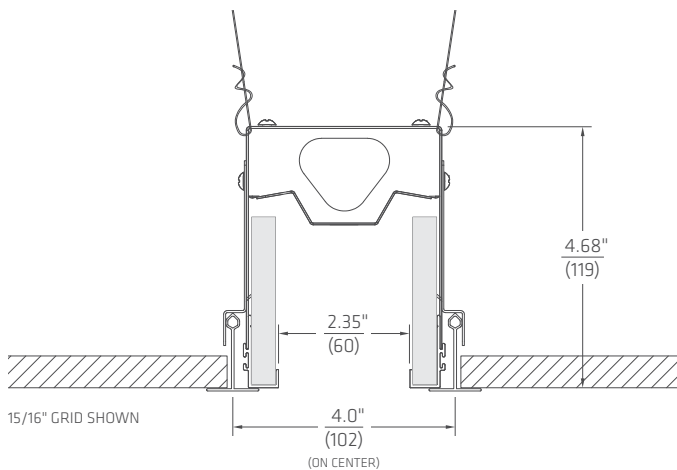


D2 – DRYWALL TRIMLESS SHOWN WITH (E) DADO ENDCAP OPTION



100% Dn Symmetric

### CROSS SECTION



### CEILING & TRIM

DRYWALL TRIM



DRYWALL TRIMLESS



GRID



### CATALOG #

### PROJECT

### NOTES

### PERFORMANCE SUMMARY

	A	B	C	D
Light (lm/ft)	475	575	700	925
Energy (W/ft)	5	6	7.25	9.5
Efficacy (lm/W)	102	103	100	98
Color Rendering (CRI)	80+			
Color Accuracy (SDCM)	< 2			
Lumen Maintenance (hr)	L90 per TM-21: >60,000 L70 estimate: >200,000			

Summary values are nominal and based on 4000K CCT.  
DLC qualified for 5 W/ft (A) and 6 W/ft (B) in 4000K only.

### FEATURES

- 2-1/3" open aperture design with fully luminous interior. No horizontal lenses or diffusers.
- Anidolic optics provide shielded, precisely controlled optical distributions, for low glare and wide row spacing.
- Up to 12 ft o.c. spacing, delivering 40 fc at less than 0.5 W/ft<sup>2</sup>.
- Length increments of 1' in drywall or 2' in T-grid ceilings.
- Dedicated 'L', 'T' and 'X' corners make it easy to create horizontal and vertical patterns.
- Optional Dado and Capsule drywall endcaps create a unique boundary for the line of light.
- 4" Armstrong TechZone® or 4" USG Logix® T-grid compatible.



SPECIFICATION DATA  
**NOTCH 2 AREA SYMMETRIC (NT1-B)**

**ORDER GUIDE**

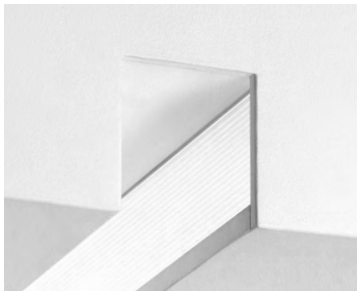
1	2	3	4	5	6	7	8	9	OPTIONS	CONTROLS
<b>NT1</b>			<b>B</b>							

1 FAMILY	2 VERSION	3 TRIM / CEILING	4 DISTRIBUTION	5 ENERGY <sup>2</sup>
<b>NT1</b> Notch 2 Area	<b>L</b> Linear Row <b>R</b> Pattern Side/Corner  <b>PATTERN</b> <sup>1</sup> <b>P0</b> Square <b>P1</b> Rectangle <b>P2</b> 2-rows   1-corner <b>P3</b> 3-rows   2-corner <b>P4</b> 4-rows   3-corner <b>P5</b> 5-rows   4-corner  <small><sup>1</sup> Other pattern options available. See previous page or consult factory.</small>	<b>D1</b> Drywall – Trim Flange <b>D2</b> Drywall – Trimless <b>D3</b> Drywall – Drop Radius <b>D4</b> Drywall – Drop Square <b>G1</b> Grid – 9/16" or 15/16" Flat-T <b>G1</b> 9/16" Tegular or Bolt-Slot <b>G1</b> 4" Armstrong TechZone® or 4" USG Logix® <b>W2</b> Wall – Trimless	<b>B</b> Symmetric	<b>A</b> 5 W/ft <b>B</b> 6 W/ft <b>C</b> 7.25 W/ft <b>D</b> 9.5 W/ft <sup>3</sup>  <small><sup>2</sup> Add 1 W/ft for 347 V with E1-4/L1/W1. <sup>3</sup> Single CCT versions only.</small>

6 CCT	7 DRIVER	8 VOLTAGE	9 LENGTH <sup>5</sup>
<b>30</b> 3000 K <b>35</b> 3500 K <b>40</b> 4000 K <b>W2</b> 2700-6500 K	<b>F1</b> Non-Dim <b>F2</b> 0-10 V Dim 3% <b>E1</b> eldoLED ECO 0-10 V Dim 1% <b>E2</b> eldoLED SOLO 0-10 V Dim 0.1% <b>E3</b> eldoLED ECO DALI Dim 1% <b>E4</b> eldoLED SOLO DALI Dim 0.1% <b>L1</b> Lutron Hi-Lume 1% EcoSystem (LDE1) <b>W1</b> eldoLED DUAL DALI Dynamic White 0.1% <sup>12</sup>	<b>M</b> 120-277 V <b>3</b> 347 V <sup>4</sup>  <small><sup>4</sup> 347 V Driver for F1. 347 V Transformer &amp; Driver for E1-4/L1/W1.</small>	<b>XX</b> Drywall – Specify 1ft Increments <b>XX</b> Grid – Specify 2 ft Increments <b>LC</b> Corner (Flat 2 ft x 2 ft) <b>TN</b> T Intersection <sup>3,6</sup> <b>XN</b> X Intersection <sup>3,6</sup> <b>CW</b> Ceiling to Wall Transition <sup>3,7</sup>  <small><sup>5</sup> Minimum is 2 feet. <sup>6</sup> Available in D2 or W2 trim options. <sup>7</sup> Available in D2 trim option. Wall leg Light + Energy default is 'A'. Call factory for options.</small>

OPTIONS		CONTROLS	
WIRING & EMERGENCY	LAYOUT & FINISH	SENSORS & CONTROLLERS	DYNAMIC WHITE <sup>12</sup>
<b>A</b> Alternate Wiring (AV switching) <sup>8</sup> <b>B</b> Battery Pack <sup>9</sup> <b>F</b> 6' Flex Whip (in 1st module) <b>H</b> Emergency Switching (GTD or Controller) <b>M</b> EM or NL Wiring (2nd neutral) <sup>8</sup> <b>T</b> Throughwire Circuit <b>U</b> Throughwire (w/neutral)	<b>C</b> Chicago Plenum <b>E</b> Dado Endcap <sup>10</sup> <b>K</b> Black Trim and Endcap <b>P</b> Capsule Endcap <sup>11</sup>  <small><sup>10</sup> Available with D2 trim option. Default option is to install in one end only. Call factory for options. <sup>11</sup> Available in D2, D3 and W2 trim options.</small>	<b>RE1</b> Remote Enlighted Smart Sensor <b>VN1</b> Acuity nLight Converter	<b>WF1</b> Fluxwerx Wall Control <b>WC1</b> 0-10 V Linear Dim <b>WC2</b> 0-10 V Log Dim <b>WD1</b> DALI Linear Dim <b>WD2</b> DALI Inverse Log Dim  <small><sup>12</sup> Refer to later section for Dynamic White spec &amp; performance details.</small>

**PRODUCT DETAILS**



LINEAR ANIDOLIC OPTIC

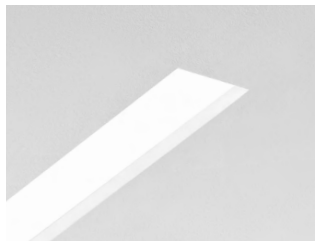
**TRIM OPTIONS**

**TRIM**

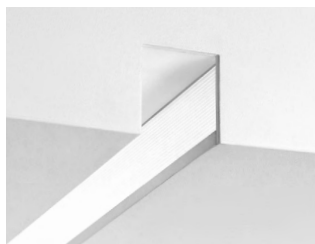


D1 – DRYWALL TRIM FLANGE

**TRIMLESS**



D2 – DRYWALL TRIMLESS



OPTIONAL – DADO ENDCAP



OPTIONAL – CAPSULE ENDCAP

**DROP TRIM**



D3 – DRYWALL DROP RADIUS



D4 – DRYWALL DROP SQUARE



OPTIONAL – CAPSULE ENDCAP

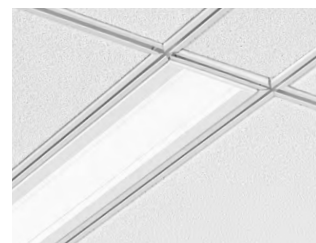
**GRID**



G1 – 9/16" GRID FLAT T



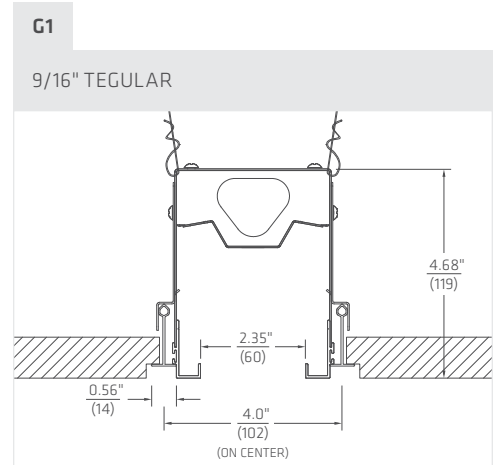
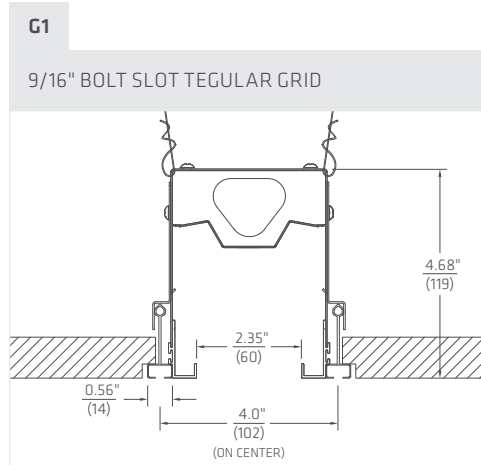
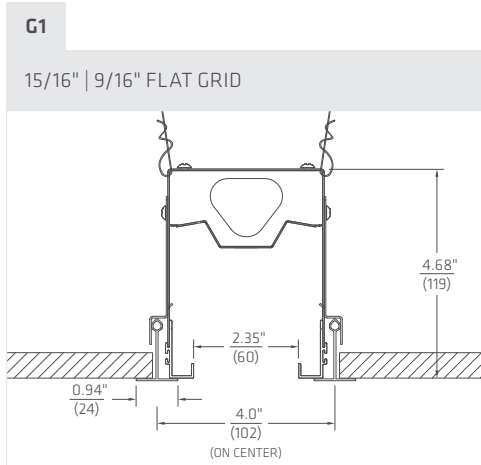
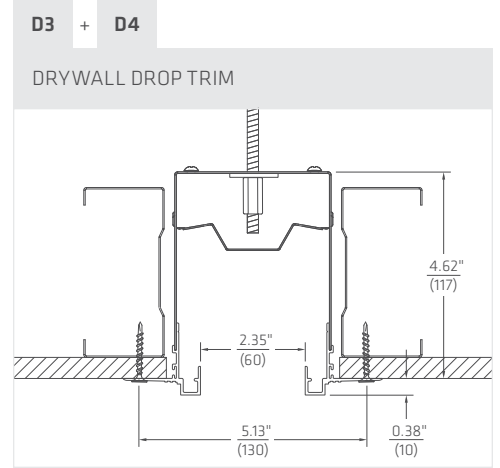
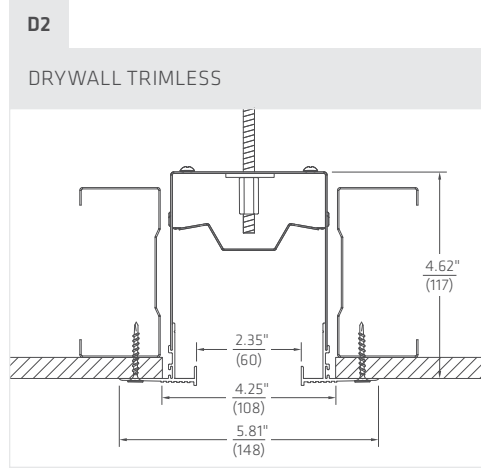
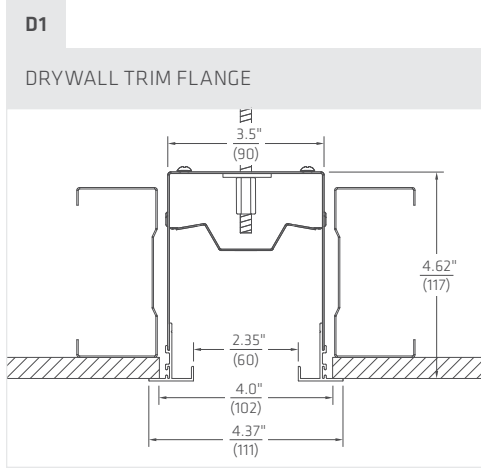
G1 – 15/16" GRID FLAT T



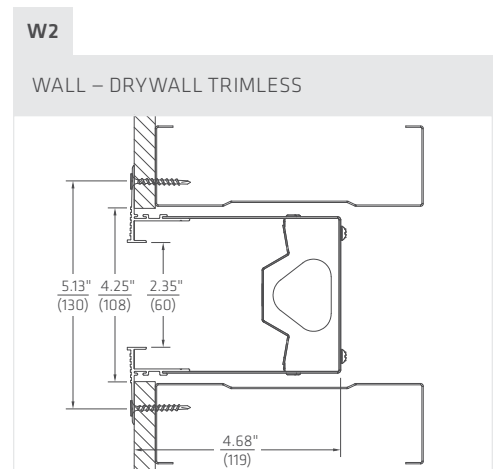
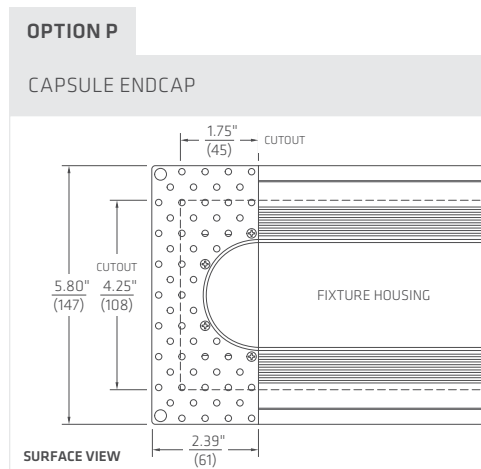
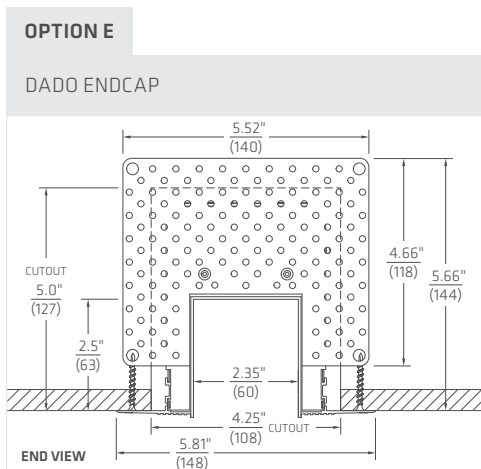
G1 – 9/16" TEGULAR | SLOT GRID

NOTE: Use G1 for 4" Armstrong TechZone® or 4" USG Logix®

**DIMENSIONS**



Grid (G1) is 4\" Armstrong TechZone® and 4\" USG Logix® T-grid compatible.



**LINEAR ROWS & FIXTURES**

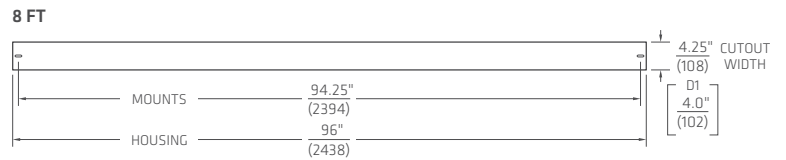
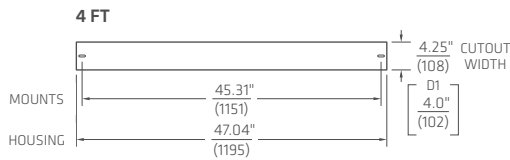
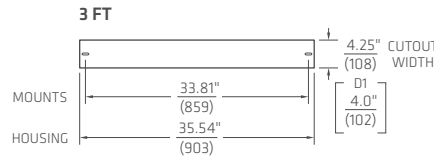
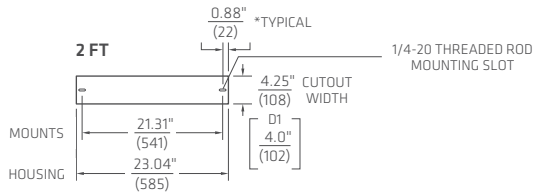
Continuous rows are available in nominal 1' increments in drywall ceilings and in 2' increments on-grid for T-bar ceilings. Standalone fixtures are available in 2', 3', 4', or 8' sizes.



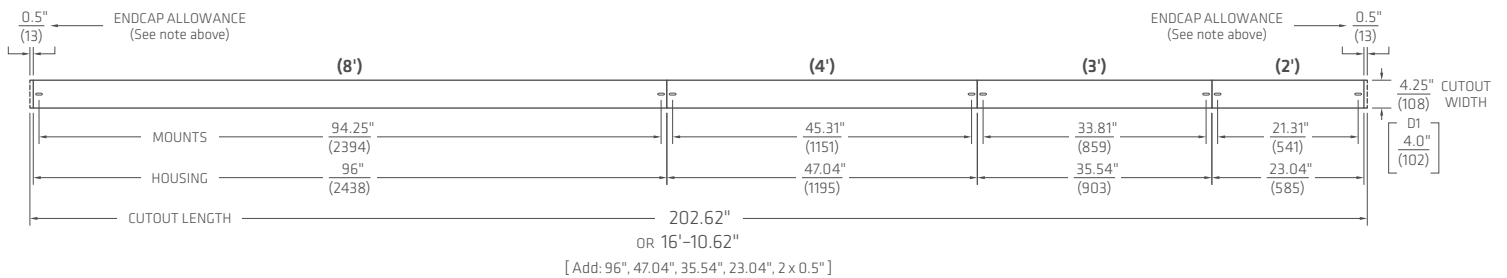
NOTE: Run lengths are nominal and vary with ceiling condition and trim selections.

**DRYWALL CUTOUT DIMENSIONS**

To determine the overall drywall ceiling cutout length, add an endcap allowance to each end of a straight run, as follows: Standard flat endcap (D1-D4) – 1/2"; Capsule endcap – 1-3/4"; Dado endcap – 3/16".



**EXAMPLE OF A DRYWALL CUTOUT FOR A 17' RUN**



**INSTALLATION NOTES**

- Cutout dimensions apply to all drywall trim options.
- A minimum depth of 5" above ceiling plane or behind wall plane is required.
- Threaded rod or lag bolt mounting is required for ceiling installations only:
  - Ensure 1/4-20 threaded rod length is cut between 3.25" - 4.25" above finished ceiling plane.
  - 2 threaded rods required for each linear housing.

## SPECIFICATION DATA

### NOTCH 2 AREA SYMMETRIC (NT1-B)

#### NOTES

##### CONSTRUCTION

- 20 ga. satin coat steel housing
- Extruded aluminum flange options available for drywall trim, trimless and T-bar grid ceilings
- White powdercoat or optional black trim

##### OPTICAL

- Anidolic optical structures with linear light extraction elements
- Precision extruded high transmittance clear acrylic lenses
- Long life mid-flux LED system designed for typical TM21 lumen maintenance  $\geq$  L90 @ 60,000 h
- Available in 3000 K, 3500 K, 4000 K or 2700-6500 K with CRI  $\geq$  80 and R9  $\geq$  0, all with color accurate binning  $\leq$  2 SDCM

##### ELECTRICAL

- Integral high efficiency multivolt drivers, for 50-60 Hz 120-277 V or 347 V
- Power Factor  $>$  0.90
- Total Harmonic Distortion  $<$  20%
- Dim level: Standard 3%, optional 1% or 0.1%
- Optional Battery Pack delivers 10 W Class 2 rated output for 90 min. Use 12 W input energy to estimate emergency flux, typically 1100-1300 lm (@95-105 lm/W).
- Optional GTD (Generator Transfer Switch), 120-277 V, disables 0-10 V control during emergency for full light output
- Surge Protection: Meets ANSI C82.11 spec and ANSI/IEEE C62.41
- Inrush Current: Meets NEMA 410

##### ENVIRONMENTAL & CARE

- Designed for use in dry or damp indoor locations with ambient temperatures of 0-30° C (32-86° F)
- Not suitable for natatorium environments, e.g. swimming pools, hot tubs and saunas. The luminaire may be damaged by chemicals such as chlorine, solvents, ammonia, alcohol or sulfur in the area of operation or in cleaning products. Damage from contaminants is not covered under warranty.
- Clean only by wiping with a slightly water-damp, soft, clean cloth.

##### WEIGHT

- Maximum 7 lb/ft (10.4 kg/m) with standard driver
- Maximum 8 lb/ft (11.9 kg/m) with battery pack or 347 V transformer

##### WARRANTY

- 5 year limited warranty on all components and workmanship

##### INDEPENDENT TESTING

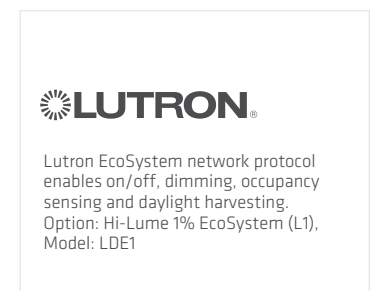
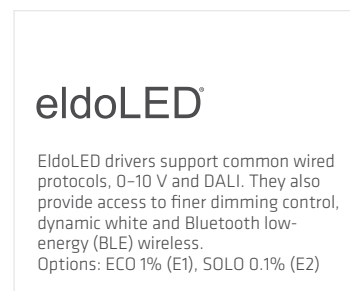
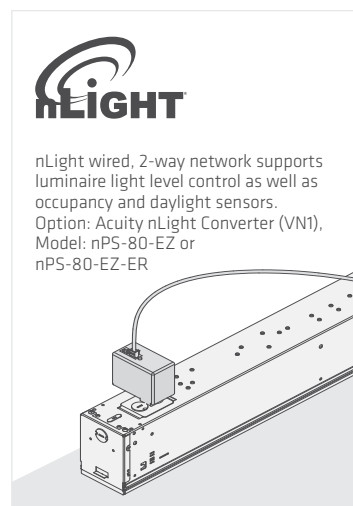
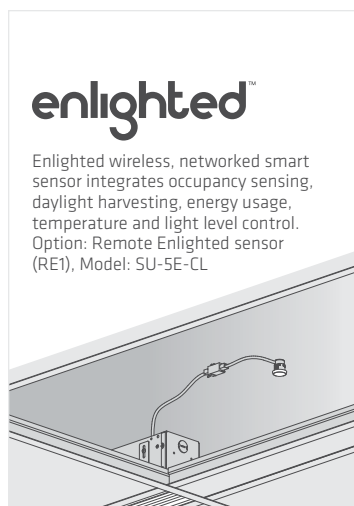
- IESNA LM79
- IESNA LM80 (LED @ 9,000 or 10,000 h)

##### APPROVALS

- UL Listed (USA + Canada)
- CCEA Chicago Plenum
- IC Rated
- Lighting Facts®
- DesignLights Consortium®  
*Most options DLC qualified, please check catalog number in the QPL list ([www.designlights.org/QPL](http://www.designlights.org/QPL))*

#### CONTROLS & SENSORS

Fluxwerx products are designed for simple integration with a wide range of sensors, lighting controls and building management systems. Many projects incorporate occupancy sensing, daylight harvesting, individual or central adjustment of light levels and luminaire or space monitoring in order to save energy, reduce costs and maximize occupant comfort. Fluxwerx offers a number of standard driver and controller options to support various wired and wireless network protocols.



**legrand®** **Wattstopper®** **Pass & Seymour**

**LEVITON®** **EATON®** **DISTECH CONTROLS™**

**CRESTRON**

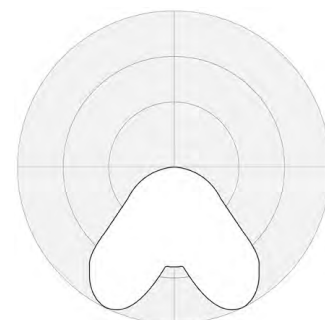
**PERFORMANCE DATA**

A 5 W/ft	CCT	LIGHT (lm/ft)	ENERGY (W/ft)	EFFICACY (lm/W)	(CRI)	COLOR ACCURACY (R9)	(SDCM)
<b>VERSION NT1-BA40</b>	4000 K	470	4.61	102.0	82.7	6.1	< 2
	3500 K	458	4.61	99.5	82.7	6.1	
REPORT 11921916.08	3000 K	447	4.61	97.0	82.9	5.9	

B 6 W/ft	CCT	LIGHT (lm/ft)	ENERGY (W/ft)	EFFICACY (lm/W)	(CRI)	COLOR ACCURACY (R9)	(SDCM)
<b>VERSION NT1-BB40</b>	4000 K	584	5.67	103.0	82.7	6	< 2
	3500 K	570	5.67	100.4	82.7	6	
REPORT 11921916.09	3000 K	555	5.67	97.9	82.9	5.9	

C 7.25 W/ft	CCT	LIGHT (lm/ft)	ENERGY (W/ft)	EFFICACY (lm/W)	(CRI)	COLOR ACCURACY (R9)	(SDCM)
<b>VERSION NT1-BC40</b>	4000 K	704	7.02	100.2	82.7	6.1	< 2
	3500 K	686	7.02	97.7	82.7	6.1	
REPORT 11921916.10	3000 K	668	7.02	95.2	82.9	5.9	

D 9.5 W/ft	CCT	LIGHT (lm/ft)	ENERGY (W/ft)	EFFICACY (lm/W)	(CRI)	COLOR ACCURACY (R9)	(SDCM)
<b>VERSION NT1-BD40</b>	4000 K	918	9.39	97.8	82.7	6	< 2
	3500 K	895	9.39	95.3	82.7	6	
REPORT 11921916.12	3000 K	872	9.55	91.4	82.9	5.9	



100% Dn Symmetric  
 Notch 2  
 NT1-B

Integrating Sphere and Photometric results based on 4 ft fixture at 4000K by an independent accredited testing laboratory per IES LM-79-2008 and ANSI C78.377-2011. Results for 3000K and 3500K scaled based on integrating sphere results at 38W (D). Candlepower Distribution scaled per total lumens of Integrating Sphere results.

NT1-BA40

**LED lighting facts**  
 A Program of the U.S. DOE

Light Output (Lumens) **1908**  
 Watts **18.4**  
 Lumens per Watt (Efficacy) **103.7**

Color Accuracy  
 Color Rendering Index (CRI) **83**

Light Color  
 Correlated Color Temperature (CCT) **4000 (Bright White)**

Warm White | Bright White | Daylight  
 2700K | 3000K | 4500K | 6500K

All results are according to IESNA LM-79-2008. Approved Method for the Electrical and Photometric Testing of Solid-State Lighting. The U.S. Department of Energy (DOE) verifies product test data and results.  
 Visit [www.lightingfacts.com](http://www.lightingfacts.com) for the Label Reference Guide.  
 Registration Number: XA8K-NHARS8 (10/20/2017)  
 Model Number: NT1-L05BA40P1F3E162E3E49M4 (04/2017)  
 Type: Luminaire - Linear

NT1-BB40

**LED lighting facts**  
 A Program of the U.S. DOE

Light Output (Lumens) **2337**  
 Watts **22.69**  
 Lumens per Watt (Efficacy) **103**

Color Accuracy  
 Color Rendering Index (CRI) **82**

Light Color  
 Correlated Color Temperature (CCT) **4000 (Bright White)**

Warm White | Bright White | Daylight  
 2700K | 3000K | 4500K | 6500K

All results are according to IESNA LM-79-2008. Approved Method for the Electrical and Photometric Testing of Solid-State Lighting. The U.S. Department of Energy (DOE) verifies product test data and results.  
 Visit [www.lightingfacts.com](http://www.lightingfacts.com) for the Label Reference Guide.  
 Registration Number: XA8K-I292QJ (10/18/2017)  
 Model Number: NT1-L05BB40P1F3E162E3E49M4 (04/2017)  
 Type: Luminaire - Linear

NT1-BC40

**LED lighting facts**  
 A Program of the U.S. DOE

Light Output (Lumens) **2814**  
 Watts **28.09**  
 Lumens per Watt (Efficacy) **100.18**

Color Accuracy  
 Color Rendering Index (CRI) **82**

Light Color  
 Correlated Color Temperature (CCT) **4000 (Bright White)**

Warm White | Bright White | Daylight  
 2700K | 3000K | 4500K | 6500K

All results are according to IESNA LM-79-2008. Approved Method for the Electrical and Photometric Testing of Solid-State Lighting. The U.S. Department of Energy (DOE) verifies product test data and results.  
 Visit [www.lightingfacts.com](http://www.lightingfacts.com) for the Label Reference Guide.  
 Registration Number: XA8K-D2Y9M8 (10/19/2017)  
 Model Number: NT1-L05BC40P1F3E162E3E49M4 (04/2017)  
 Type: Luminaire - Linear

NT1-BD40

**LED lighting facts**  
 A Program of the U.S. DOE

Light Output (Lumens) **3672**  
 Watts **37.56**  
 Lumens per Watt (Efficacy) **97.76**

Color Accuracy  
 Color Rendering Index (CRI) **82**

Light Color  
 Correlated Color Temperature (CCT) **4000 (Bright White)**

Warm White | Bright White | Daylight  
 2700K | 3000K | 4500K | 6500K

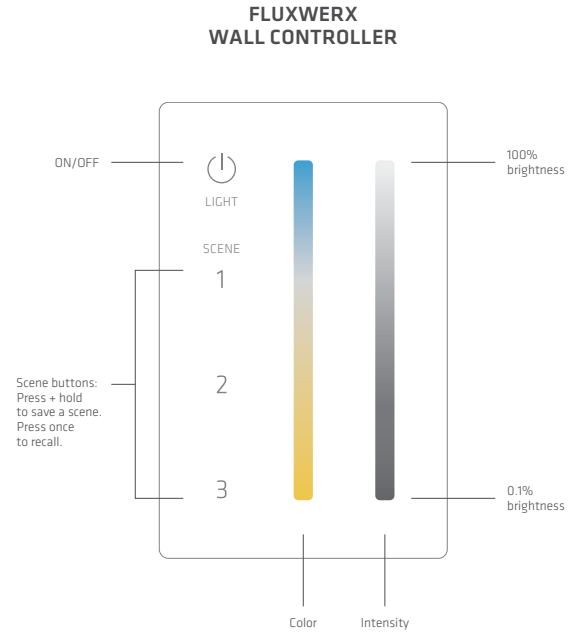
All results are according to IESNA LM-79-2008. Approved Method for the Electrical and Photometric Testing of Solid-State Lighting. The U.S. Department of Energy (DOE) verifies product test data and results.  
 Visit [www.lightingfacts.com](http://www.lightingfacts.com) for the Label Reference Guide.  
 Registration Number: XA8K-DMCC1Y (10/19/2017)  
 Model Number: NT1-L05BD40P1F3E162E3E49M4 (04/2017)  
 Type: Luminaire - Linear

SPECIFICATION DATA  
**NOTCH 2 AREA SYMMETRIC (NT1-B)**

**DYNAMIC WHITE CONTROL OPTIONS**

CONTROLS PROTOCOL	CONTROL CURVE	CONTROLS BRAND	DW CODE	CONTROLLER COMPONENTS* (ordered separately)	
DALI	Linear	FLUXWERX	WF1	Fluxwerx Wall Controller	
		e.g. Lutron, Crestron	WD1	Controller supplied by others	
	Inverse Log	e.g. Distech, Helvar	WD2		
0-10 V	Linear	e.g. Leviton, Lutron, Watt Stopper, Crestron, Pass & Seymour	WC1	Controller supplied by others	Fluxwerx 0-10 V converter per zone
	Log	e.g. Lutron, Cooper Controls	WC2		

\* See Dynamic White controller data sheet



**DYNAMIC WHITE PERFORMANCE DATA**

A 5W/ft	CCT	LIGHT (lm/ft)	ENERGY (W/ft)	EFFICACY (lm/W)	COLOR ACCURACY (CRI) (R9)	
VERSION NT1-BAW2	2700 K	408	4.77	85.4	82.4	4.5
	3000 K	410	4.53	90.6	83.9	10.7
	3500 K	423	4.37	96.7	85.9	19.2
REPORT FLUXWERX	4000 K	428	4.30	99.5	86.7	22.9
	5000 K	428	4.32	99.0	86	17.9
	6500 K	440	4.71	93.4	83.7	4.7

B 6W/ft	CCT	LIGHT (lm/ft)	ENERGY (W/ft)	EFFICACY (lm/W)	COLOR ACCURACY (CRI) (R9)	
VERSION NT1-BBW2	2700 K	505	5.94	85.1	82.4	4.5
	3000 K	508	5.73	88.6	83.9	10.7
	3500 K	523	5.53	94.5	85.9	19.2
REPORT FLUXWERX	4000 K	530	5.44	97.4	86.7	22.9
	5000 K	530	5.47	97.0	86	17.9
	6500 K	543	5.86	92.6	83.7	4.7

C 7.25W/ft	CCT	LIGHT (lm/ft)	ENERGY (W/ft)	EFFICACY (lm/W)	COLOR ACCURACY (CRI) (R9)	
VERSION NT1-BCW2	2700 K	610	7.45	81.9	82.4	4.5
	3000 K	613	7.13	85.9	83.9	10.7
	3500 K	630	6.89	91.5	85.9	19.2
REPORT FLUXWERX	4000 K	640	6.77	94.5	86.7	22.9
	5000 K	640	6.81	94.0	86	17.9
	6500 K	653	7.35	88.7	83.7	4.7

Integrating Sphere and Photometric results scaled from NT1-B, PF1-B and PF1-A Dynamic White results from independent accredited testing laboratory per IES LM-79-2008 and ANSI C78.377-2011. Candlepower Distribution scaled per total lumens of Integrating Sphere results.