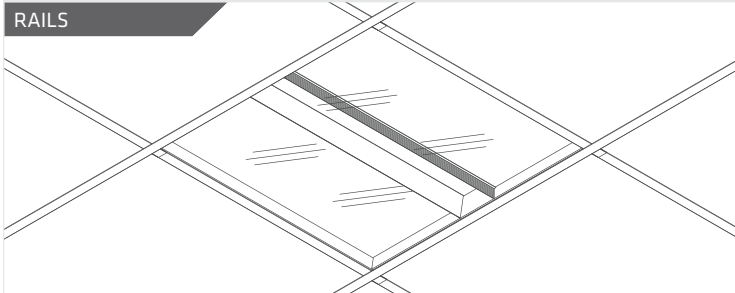


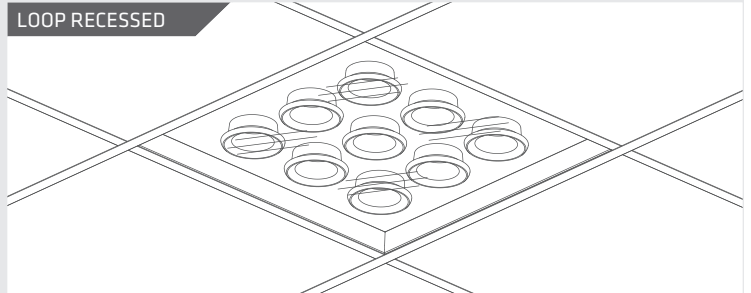
RECESSED CONTROLS: REMOTE ENLIGHTED SENSOR (RE1) Enlighted Micro Sensor SU-5E-CL

1 | UNCOIL CABLE + INSTALL FIXTURE

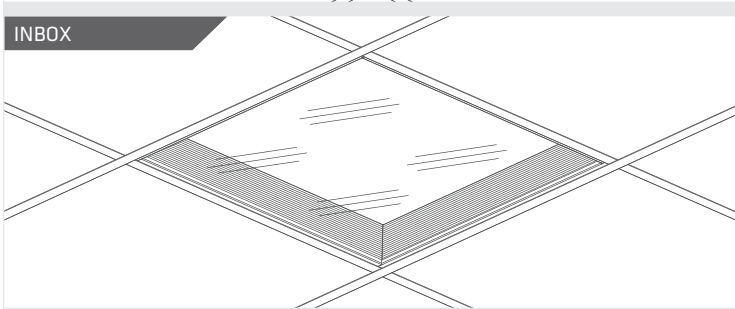
RAILS



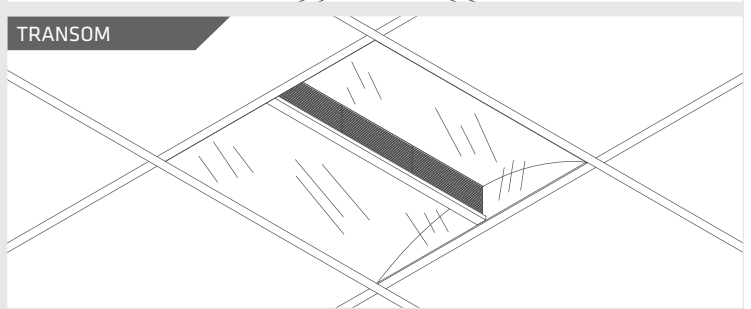
LOOP RECESSED



INBOX

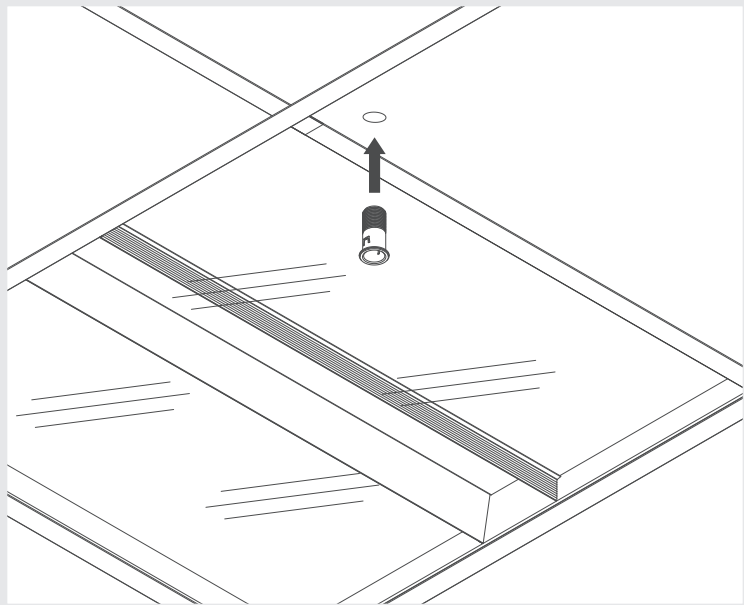
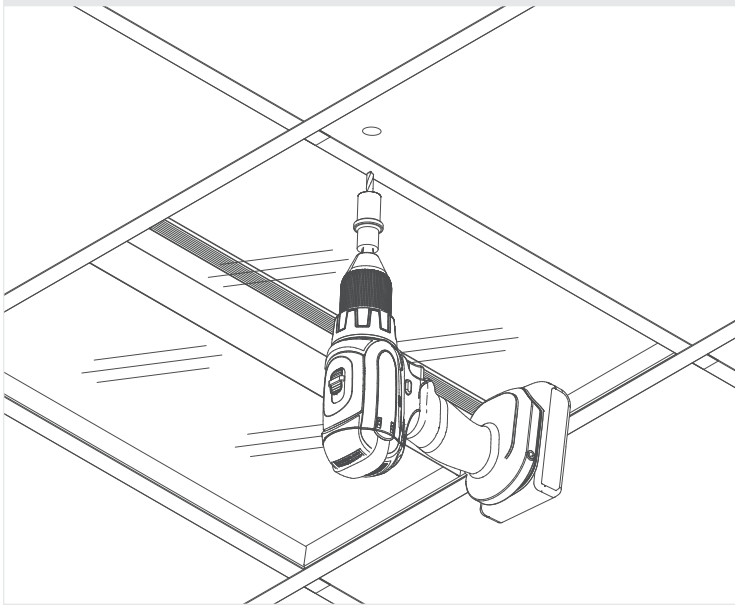


TRANSOM



1. Uncoil sensor cable from top of fixture.
2. Install the fixture per standard installation instructions.

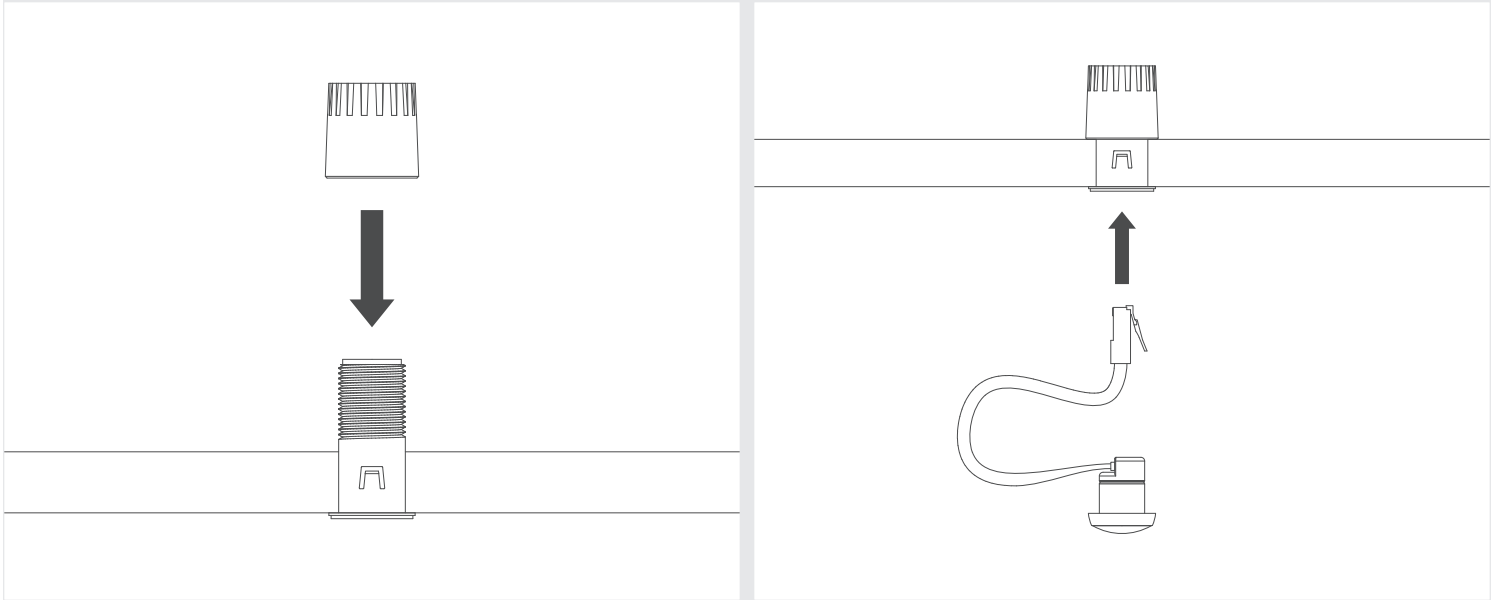
2 | PREPARE SENSOR LOCATION



1. Determine sensor location per site design instructions and/or Enlighted design instructions. Note that the sensor cable overall length is approximately 5 feet.

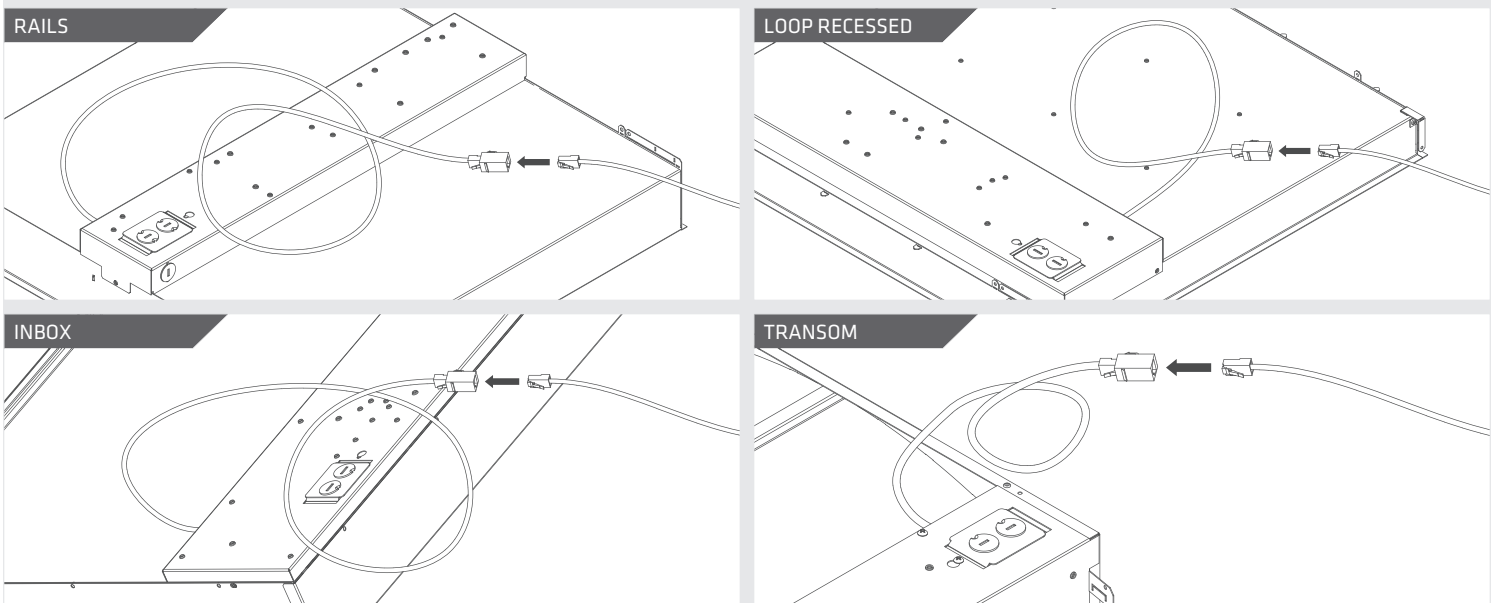
2. Drill a 13/16" diameter hole in the ceiling tile at the desired location.
3. Insert the sensor tile mount base into the ceiling tile hole.

3 | INSTALL SENSOR



1. Install the tile mount nut.
2. Feed sensor cable assembly through the tile mount.
3. Snap the sensor into the tile mount.

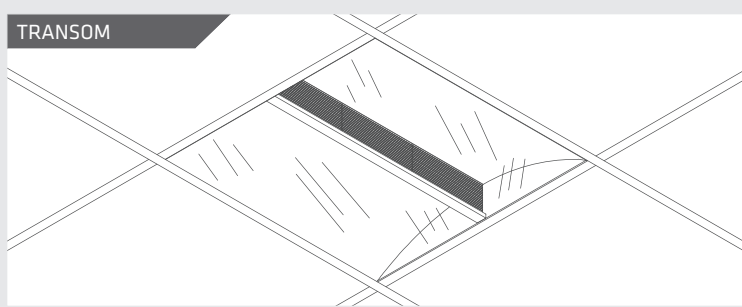
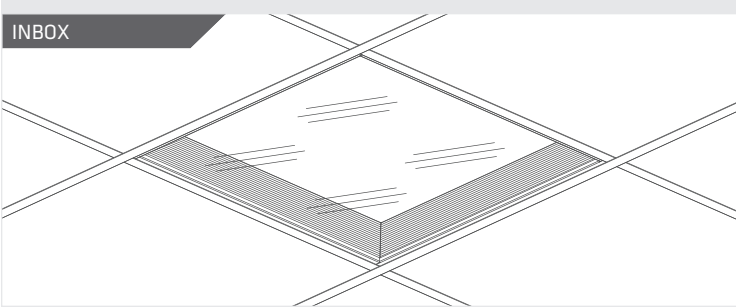
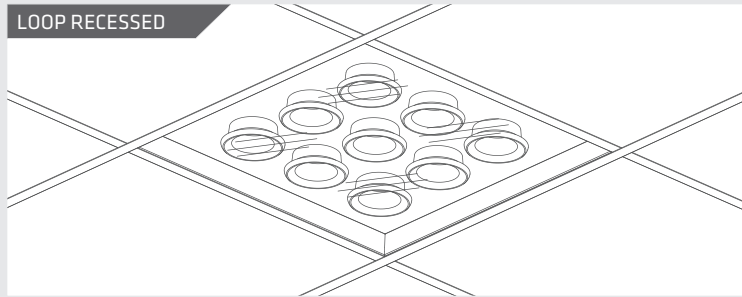
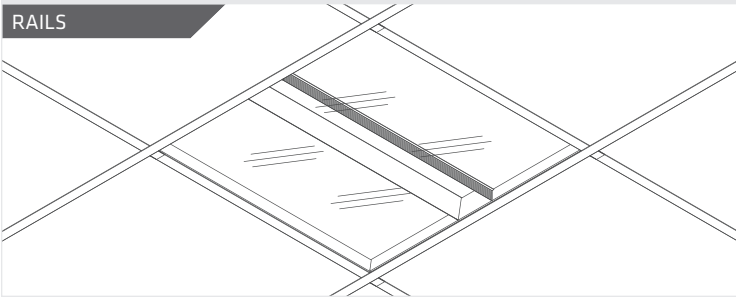
4 | CONNECT SENSOR TO FIXTURE



1. Connect the sensor cable to the fixture cable coupler.
2. See Enlighted setup and commissioning documentation for further instructions.

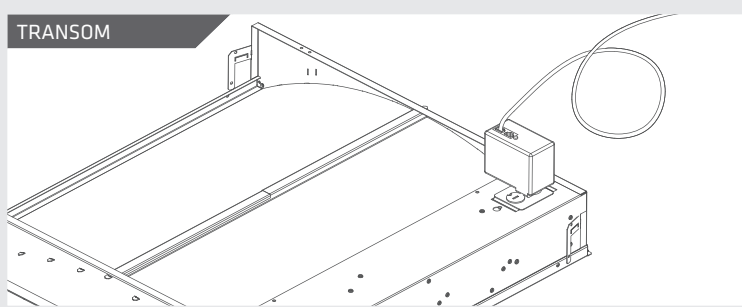
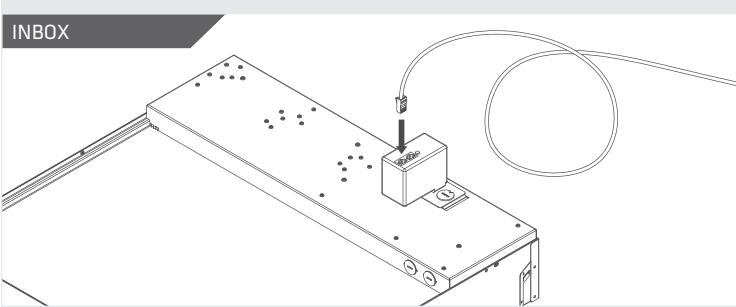
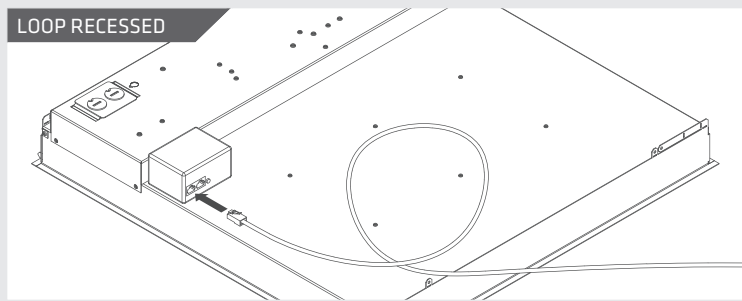
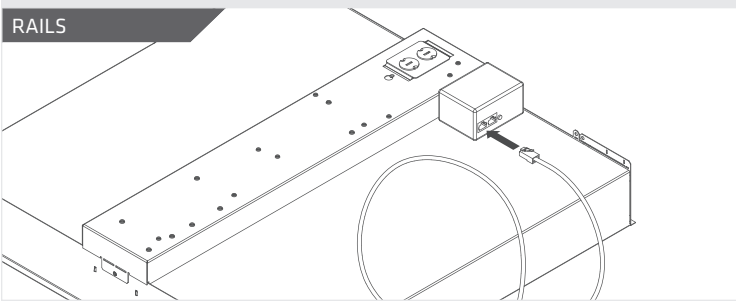
**RECESSED CONTROLS:
nLIGHT MODULE (VN1)**
Acuity nLight Controller nPS-80-EZ or nPS-80-EZ-ER

1 | INSTALL FIXTURE



Install the fixture per standard installation instructions.

2 | CONNECT TO NLIGHT NETWORK



Connect nLIGHT network control cable (by others) to nLIGHT module.
See Acuity network installation, setup and commissioning documentation for further instructions.