

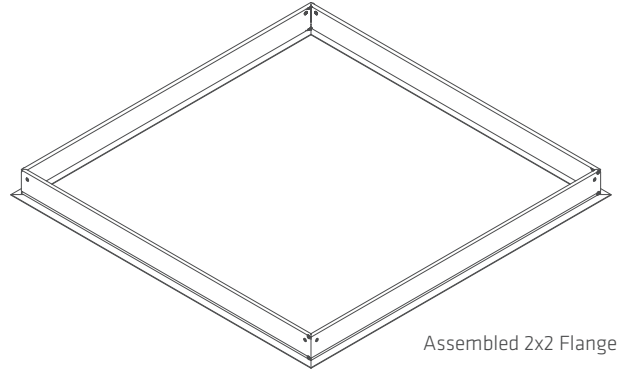
## DRYWALL FLANGE KITS

6" X 2' | 6" X 4' | 1 X 2' | 1 X 4' | 2 X 2' | 2 X 4'

### ASSEMBLY AND INSTALLATION INSTRUCTIONS FOR FLUXWERX DRYWALL FLANGE KITS

#### Features

- Mount recessed grid (NEMA G) luminaires in drywall, gypsum wallboard (GWB) or other hard lid ceilings
- Fit all Fluxwerx recessed luminaire families
- Trim or trimless (mud-in) flanges
- Mitred corners
- Powder coat white textured finish
- Extruded aluminum construction
- Assembly components included



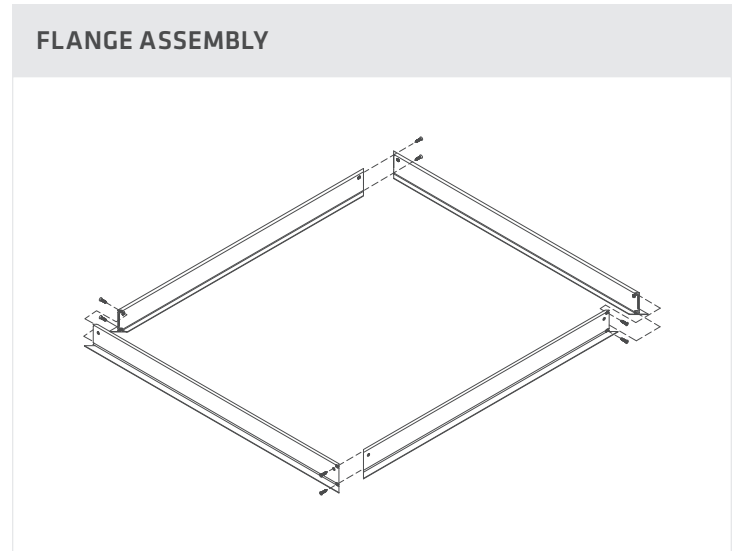
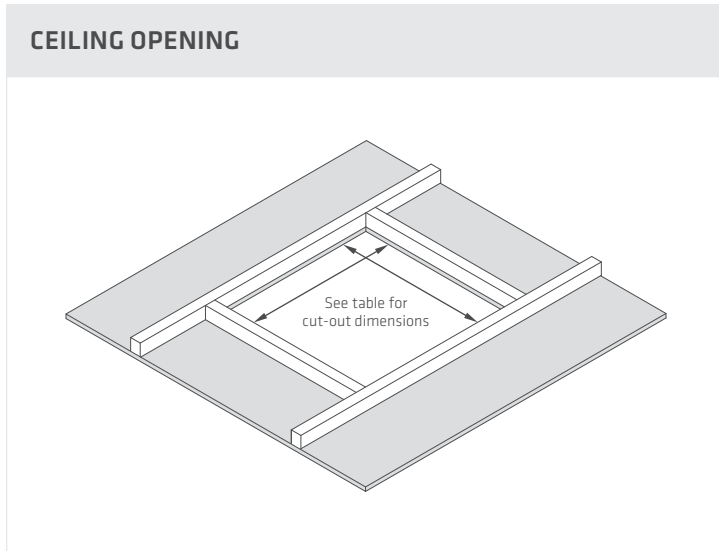
Assembled 2x2 Flange Kit

### ORDERING INFORMATION

LUMINAIRE SIZE	CATALOG NUMBER	
	TRIM	TRIMLESS
6" x 2'	FK-62	FK-62-D2
6" x 4'	FK-64	FK-64-D2
1' x 2'	FK-12	FK-12-D2
1' x 4'	FK-14	FK-14-D2
2' x 2'	FK-22	FK-22-D2
2' x 4'	FK-24	FK-24-D2

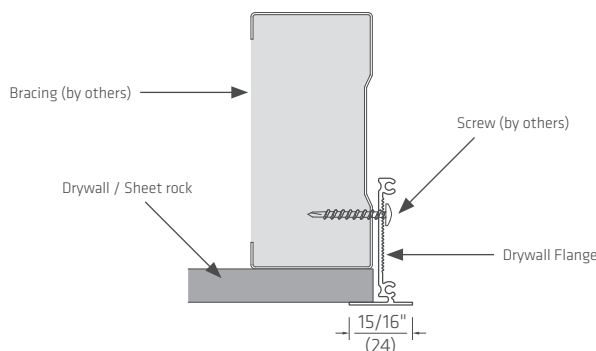
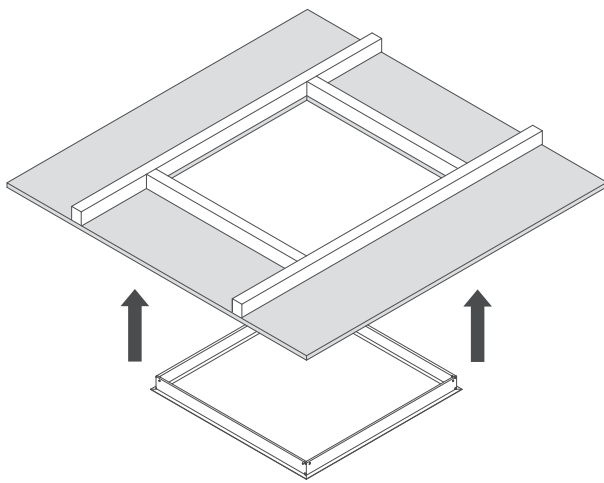
### FLANGE DIMENSIONS

LUMINAIRE SIDE	CEILING CUT-OUT TRIM & TRIMLESS	FLANGE OUTSIDE EDGES	
		TRIM	TRIMLESS
6"	6½" (165mm)	7¼" (184mm)	8⅞" (217mm)
1'	12½" (318mm)	13¼" (337mm)	14⅞" (370mm)
1.5'	18½" (470mm)	19¼" (489mm)	20⅞" (522mm)
2'	24½" (622mm)	25¼" (641mm)	26⅞" (675mm)
4'	48½" (1232mm)	49¼" (1251mm)	50⅞" (1284mm)



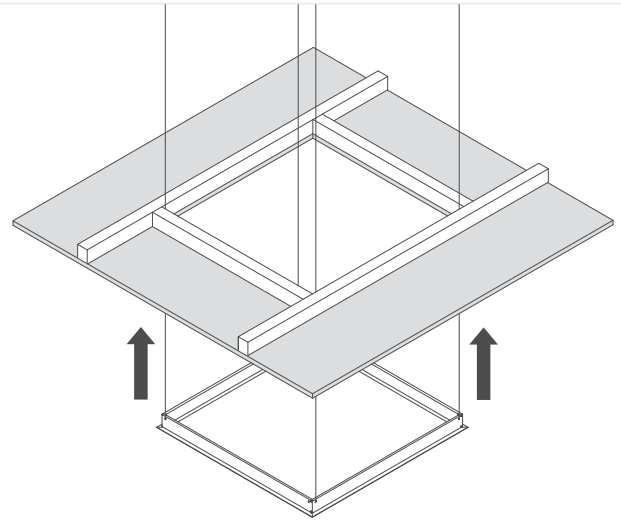
**TRIM FLANGE TO CEILING FRAME**

1. Frame and cut out a ceiling opening to the chosen size shown in the ordering information table.
2. Install an electrical power feed so that its end drops at least 18" below the ceiling plane.
3. Finish and paint the ceiling as desired.
4. Assemble drywall flange kit with the provided corner screws.
5. Raise the trim flange kit into the ceiling opening, holding the flange tight against the ceiling surface.
6. Drive a minimum of 6 framing screws (by others) through the sides of the drywall flange into the ceiling frame members.
7. Supporting the luminaire below the ceiling, connect electrical conduit to the luminaire power access plate or a side knock-out and complete all luminaire electrical connections.
8. Install the luminaire from below by angling the fixture through the opening and lowering it carefully onto the flange kit.

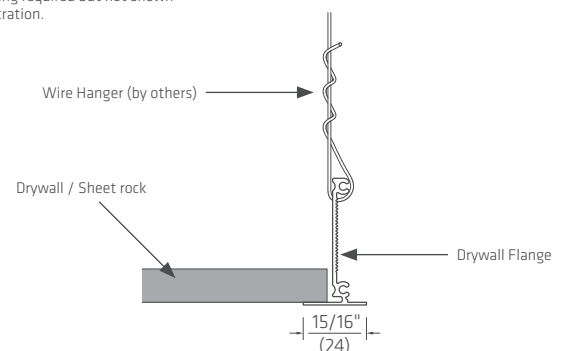


**TRIM FLANGE TO STRUCTURE**

1. Frame and cut out a ceiling opening to the chosen size shown in the ordering information table.
2. Attach at least 4 wire hangers to the deck structure above the opening.
3. Install an electrical power feed so that its end drops at least 18" below the ceiling plane.
4. Finish and paint the ceiling as desired.
5. Assemble drywall flange kit with the provided corner screws.
6. Raise the trim flange kit into the ceiling opening, overlapping the drywall edges.
7. Securely attach all suspension wires to the provided frame holes, ensuring that flange is tight to the ceiling and will support the weight of installed fixture and flange kit.
8. Supporting the luminaire below the ceiling, connect electrical conduit to the luminaire power access plate or a side knock-out and complete all luminaire electrical connections.
9. Install the luminaire from below by angling the fixture through the opening and lowering it carefully onto the flange kit.



NOTE: Bracing required but not shown in this illustration.



**TRIMLESS (MUD-IN) FLANGE TO CEILING FRAME**

1. Frame and cut out a ceiling opening to the chosen size shown in the ordering information table.
2. Install an electrical power feed so that its end drops at least 18" below the ceiling plane.
3. Assemble drywall flange kit with the provided corner screws.
4. Raise the trimless (mud-in) flange kit into the ceiling opening, holding the flange tight against the ceiling surface.
5. Drive a minimum of (6) #6 Bugle-head drywall screws (by others) vertically upward through the flange perimeter holes and drywall into the ceiling frame members. These will support the weight of the installed luminaire and flange kit.
6. Use joint compound to finish the ceiling opening and feather the edges for a flat ceiling appearance. Finish and paint the ceiling as desired.
7. Supporting the luminaire below the ceiling, connect electrical conduit to the luminaire power access plate or a side knock-out and complete all luminaire electrical connections.
8. Install the luminaire from below by angling the fixture through the opening and lowering it carefully onto the flange kit.

