

Dynamic White Components

Specification Data

	Dynamic White Controllers	Type
Project		
Notes		

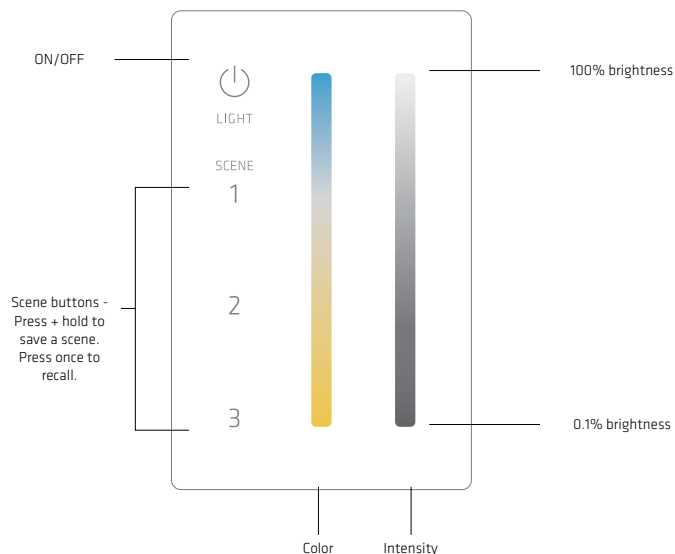


ORDER GUIDE	Protocol	Controller	Part No.	Qty
Choose matching Dynamic White protocol in luminaire	Fluxwerx	Fluxwerx wall controller, white	WD1-DW-01	
	0-10V	0-10V to DALI converter module (1 per zone)	CM1-DW-01	
	nLight	Acuity nLight converter module (1 per driver)	CM1-DW-02	

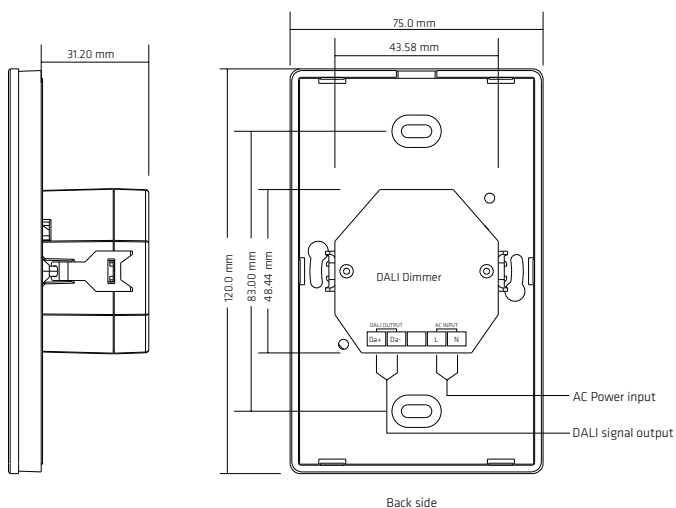
FLUXWERX DYNAMIC WHITE WALL CONTROLLER

Features

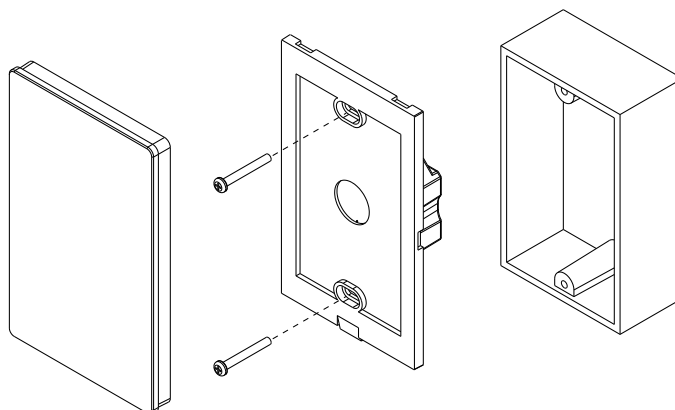
- Simple and affordable Fluxwerx single zone device
- Two or three way switching options
- No commissioning
- Intuitive touch screen for on/off + adjusting light intensity and color
- 3 scene present options: just press and hold to save
- 1 - 4 controllers can control the same zone
- Up to 50 DALI drivers (25-50 fixtures) can be connected per zone
- 120-277 V
- Mounts to standard 1-gang switch box



DIMENSIONS



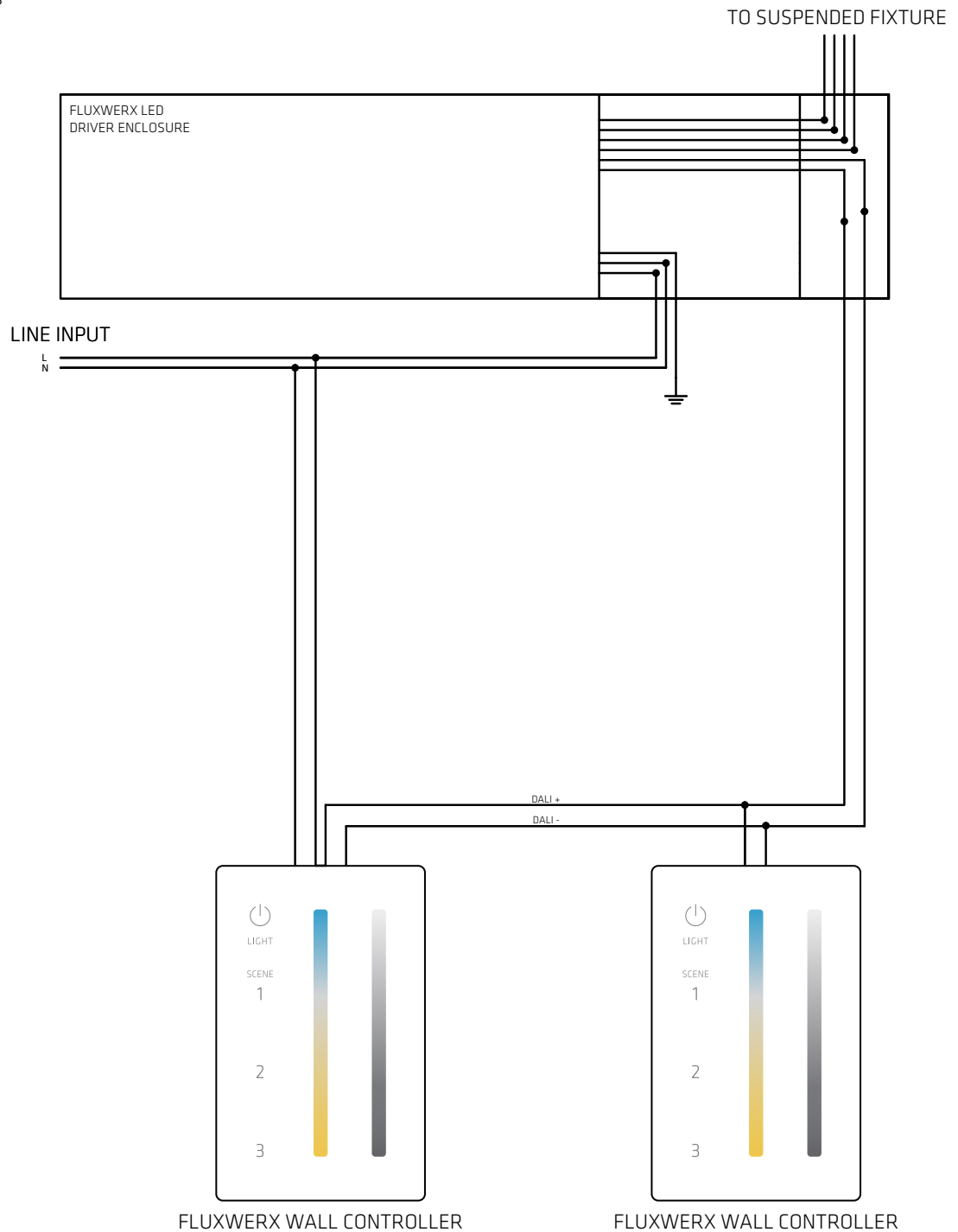
Installation



FLUXWERX WALL CONTROLLER

Wiring Diagram

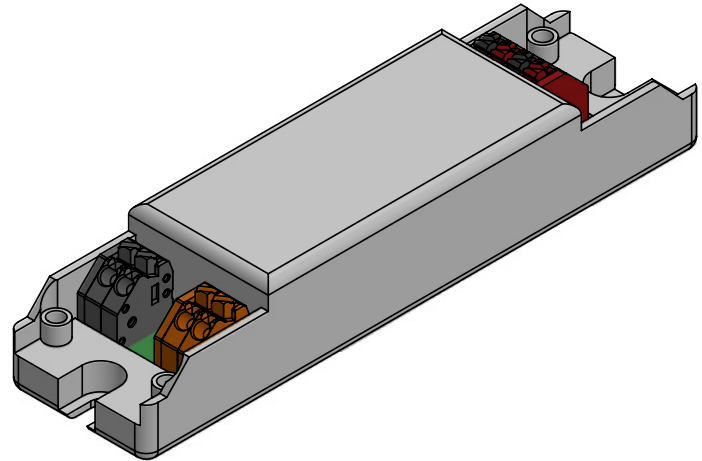
Single zone, 2 wall controllers



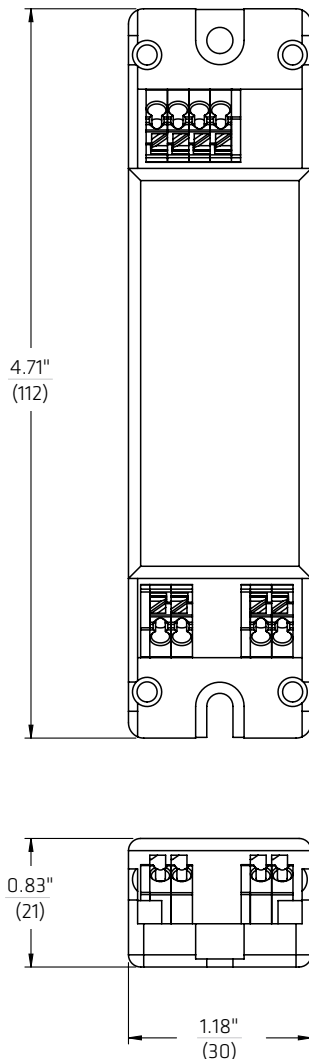
0-10V CONVERTER FOR DYNAMIC WHITE

Features

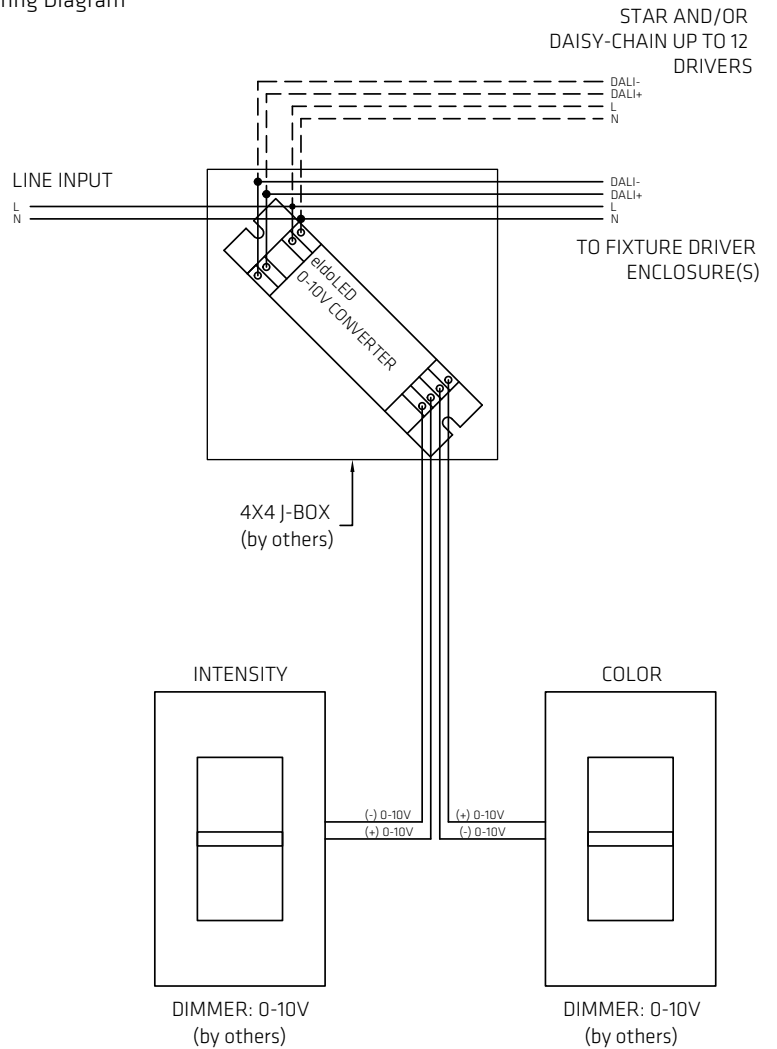
- Converts analog 0-10V signal to DALI eidoLED dynamic white drivers
- Field install in 4"x4" j-box
- 1 converter per dimming zone. All drivers on DALI bus receive same command.
- Powers DALI bus for 12 drivers
- No commissioning required (pre-programmed DALI driver addressing)
- A/C on/off wall switch not required (dim level triggers off command)



Dimensions



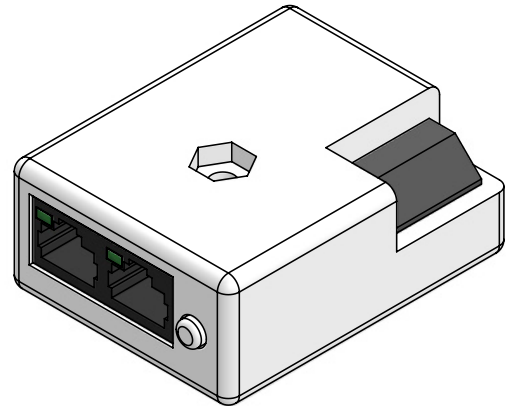
Wiring Diagram



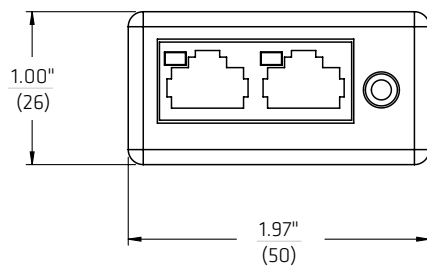
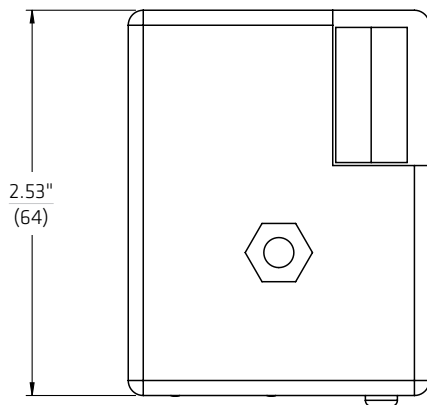
nLIGHT CONVERTER FOR DYNAMIC WHITE

Features

- Converts Acuity nLight signal to eldoLED dynamic white drivers
- 1 converter per driver, factory installed in recessed products
- For suspended luminaires, included with shipment for field installation in a 4"x4" j-box.
- No commissioning needed for single zone application with nLight wall dimmer nPODM 2P DX CCT (supplied by others)



Dimensions



Wiring Diagram

