

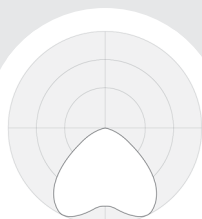
FLUXWERX

SPECIFICATION DATA  
APERTURE SQUARES 100 Dn (APS-B)

CATALOG #

PROJECT

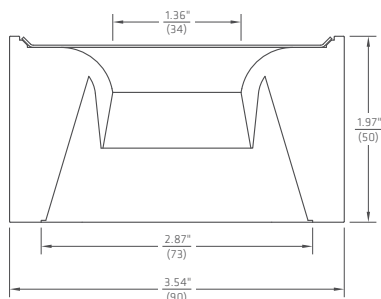
NOTES



100% Dn

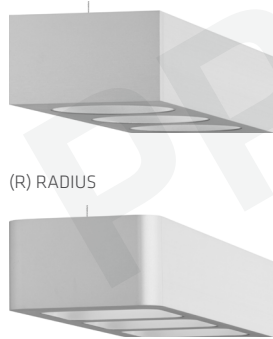


## CROSS SECTION

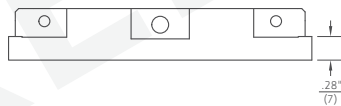


## ENDCAP OPTIONS

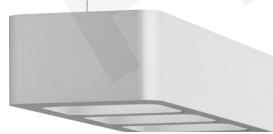
(F) FLAT



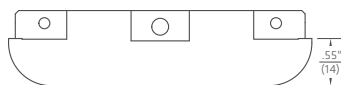
Flat Endcap Top View



(R) RADIUS



Radius Endcap Top View



## PERFORMANCE SUMMARY

	A	B	C	D
Light (lm)	1800	2150	2650	3550
Energy (W)	17	21	26	34
Efficacy (lm/W)	108	107	106	103
Color Rendering (CRI)	80+			
Color Accuracy (SDCM)	< 2			
L70 Estimate (h)	200,000			
Lumen Maintenance per TM21 (@ 60,000 h)	L90			

Summary values are nominal and based on 4000K CCT.

## FEATURES

- New ocular Anidolic optics provide a precisely controlled batwing distribution in both the upper and lower hemispheres, as well as a view into the architecture.
- Choice of either Square or Circle cellular detail. Joined sections maintain a consistent visual rhythm of 7 cells per 2 ft length.
- Developed and priced to accommodate a wide variety of budgets.
- Advanced optics result in wider row spacing and reduced costs – up to 15 ft on center spacing using less than 0.40 W/ft<sup>2</sup>.
- Three different light distributions for a multitude of applications: 75 Up | 25 Down, 25 Up | 75 Down and 100 Down.
- Two Endcaps to choose from – Radius and Flat – preinstalled for perfect fit and finish.



SPECIFICATION DATA  
**APERTURE SQUARES 100 Dn (APS-B)**

**ORDER GUIDE**

1	2	3	4	5	6	7	8	9	10	11	OPTIONS
<b>APS</b>		<b>B</b>									

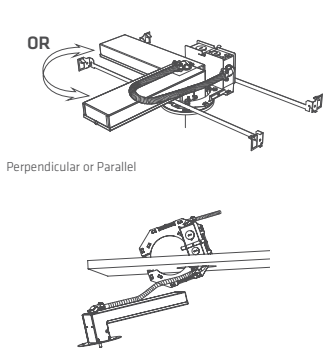
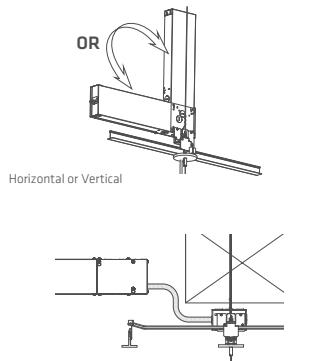
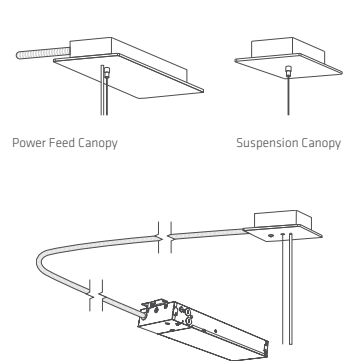
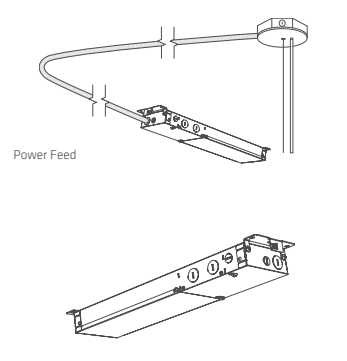
1	FAMILY	2	ENDCAP	3	OPTICAL DISTRIBUTION	4	ENERGY <sup>1</sup>	5	CCT	6	FINISH <sup>2</sup>
▶ <b>APS</b>	Aperture Squares	<b>F</b>	Flat	<b>A</b>	75 Up   25 Dn	<b>A</b>	17 W	<b>30</b>	3000 K	<b>A</b>	Clear Anodized
<b>APC</b>	Aperture Circles	<b>R</b>	Radius	▶ <b>B</b>	100 Dn	<b>B</b>	21 W	<b>35</b>	3500 K	<b>B</b>	Black Powdercoat
				<b>D</b>	25 Up   75 Dn	<b>C</b>	26 W	<b>40</b>	4000 K	<b>S</b>	Metallic Silver Powdercoat
						<b>D</b>	34 W			<b>W</b>	White Powdercoat
										<b>C</b>	Custom Color (RAL)
							<sup>1</sup> Nominal values / 4 ft at 120-277 V & 347 V For 347 V with E1-4/L1 W1 add 4 W to above				<sup>2</sup> Fixture finish only Canopies are standard white

7	LENGTH	8	CEILING TYPE	9	DRIVER	10	VOLTAGE	11	SUSPENSION
<b>04</b>	4 ft	<b>D</b>	Drywall	<b>F1</b>	Non-Dim	<b>M</b>	120-277 V	<b>03</b>	≤ 3 ft
<b>06</b>	6 ft	<b>G</b>	Grid	<b>F2</b>	0-10 V Dim 3% 120-277 V	<b>3</b>	347 V <sup>4</sup>	<b>06</b>	≤ 6 ft
<b>08</b>	8 ft	<b>S</b>	Structure	<b>F3</b>	0-10 V Dim 3% 347 V (Class 2 control wiring)			<b>12</b>	≤ 12 ft
<b>XX</b>	x ft <sup>3</sup>	<b>R</b>	Remote	<b>E1</b>	eldoLED ECO 0-10 V Dim 1%			<b>25</b>	≤ 25 ft
				<b>E2</b>	eldoLED SOLO 0-10 V Dim 0.1%				
				<b>E3</b>	eldoLED ECO DALI 1%				
				<b>E4</b>	eldoLED SOLO DALI Dim 0.1%				
				<b>L1</b>	Lutron Hi-Lume 1%-H EcoSystem				
			Integrated driver with mounting, power feed, suspension + canopy, except for remote				<sup>4</sup> 347 V Driver for F1/F3 347 V Transformer & Driver for E1-4/L1/W1		

OPTIONS	ROW LAYOUT
<b>A</b> Alternate Wiring <sup>5</sup> - AV Presentation Switching - EM/NL or 2 circuit modules	<b>N</b> Non-Power End
<b>B</b> Battery Pack <sup>6</sup>	<b>F</b> 4 ft End Module
<b>C</b> Chicago Plenum	<b>G</b> 6 ft Modules*
<sup>5</sup> 8 ft modules only	
<sup>6</sup> Available for 120-277 V Grid (G), Remote (R) and Structure (S)	*For 12 ft & 18 ft rows

## INTEGRATED DRIVER, MOUNTING, POWER FEEDS + SUSPENSION

Refer to separate product specification datasheets for detailed dimensions of mounting hardware components, driver enclosures, canopies and wiring.

(D) DRYWALL <span style="float: right;">New or Retrofit</span>	(G) GRID <span style="float: right;">ON or OFF Grid</span>	(S) STRUCTURE <span style="float: right;">Exposed Ceilings</span>	(R) REMOTE
<p>Integrated driver, power feed and mounting suspension points suitable for GWB or plaster thicknesses of &lt; 0.875" (22 mm)</p>  <p>Perpendicular or Parallel</p> <p>Retrofit Method</p>	<p>Integrated clip, driver, power feed and mounting suspension points suitable for accessible ceiling grid heights of &lt; 1.75" (44 mm)</p>  <p>Horizontal or Vertical</p> <p>Detached Method</p>	<p>Integrated driver with mounting, power feed, suspension + canopy suitable for exposed surface conduit or recessed junction boxes</p>  <p>Power Feed Canopy</p> <p>Suspension Canopy</p> <p>Battery Pack Option</p>	<p>External remote mounted driver. Power feed and suspension points suitable for exposed conduit or recessed junction boxes</p>  <p>Power Feed</p> <p>Multivolt 120-277 V driver</p>
<p><input type="checkbox"/> 120-277 V <input type="checkbox"/> 347 V <input type="checkbox"/> Battery Pack</p> <p><input type="checkbox"/> 0-10 V Dim <input type="checkbox"/> Lutron <input type="checkbox"/> eldoLED</p>	<p><input type="checkbox"/> 120-277 V <input type="checkbox"/> 347 V <input type="checkbox"/> Battery Pack</p> <p><input type="checkbox"/> 0-10 V Dim <input type="checkbox"/> Lutron <input type="checkbox"/> eldoLED</p>	<p><input type="checkbox"/> 120-277 V <input type="checkbox"/> 347 V <input type="checkbox"/> Battery Pack</p> <p><input type="checkbox"/> 0-10 V Dim <input type="checkbox"/> Lutron <input type="checkbox"/> eldoLED</p>	<p><input type="checkbox"/> 120-277 V <input type="checkbox"/> 347 V <input type="checkbox"/> Battery Pack</p> <p><input type="checkbox"/> 0-10 V Dim <input type="checkbox"/> Lutron <input type="checkbox"/> eldoLED</p>

## CONSTRUCTION

- Anodized, extruded + machined architectural grade aluminum
- Precision machined aluminum joints and endcaps are factory preinstalled for seamless fit
- Stainless steel fasteners
- 0.04" (1.0 mm) stainless steel aircraft cable suspensions
- Clear anodized surface finish or powdercoated in white, metallic silver or black, canopies in white as standard

## OPTICAL

- Anidolic optical structures with circular light extraction elements
- High transmittance clear acrylic lenses and high reflectance white polymer cells
- Long life mid-flux LED system designed for typical TM21 lumen maintenance  $\geq$  L90 @ 60,000 h
- Available in 3000 K, 3500 K, 4000 K or 2700-6500 K with CRI  $\geq$  80 and R9  $\geq$  0, all with color accurate binning  $\leq$  2 SDCM

## ELECTRICAL

- Low voltage power cords factory preinstalled; no fixture level electrical connections required for installation
- Agnostic driver design for simple integration with sensors, lighting control or building energy management system
- High efficiency multivolt drivers for 120-277 V or 347 V; 50-60 Hz integrated with suspension and mounting canopy components
- Power Factor > 0.90
- Total Harmonic Distortion < 20%
- F2: 0-10 V Dim Range: 3%
- Optional Battery Pack delivers 23 W Class 2 rated output for 90 min. Use 27 W input energy to estimate emergency flux, typically 2600-3600 lm (@100-135 lm/W).
- Optional Lutron: Hi-lume H-Series EcoSystem LED drivers for 100-1% (PWM) dim range

## ENVIRONMENTAL &amp; CARE

- Designed for use in dry or damp indoor locations with ambient temperatures of 0-30° C (32-86° F)
- Not suitable for natatorium environments, e.g. swimming pools, hot tubs and saunas. The luminaire may be damaged by chemicals such as chlorine, solvents, ammonia, alcohol or sulfur in the area of operation or in cleaning products. Damage from contaminants is not covered under warranty.
- Clean only by wiping with a slightly water-damp, soft, clean cloth.

## WEIGHT

- Fixture only: 1.4 lb/ft (2.1 kg/m)

## WARRANTY

- 5 year limited warranty on all components and workmanship

## INDEPENDENT TESTING

- IESNA LM79
- IESNA LM80 (LED @ 10,000 h)

## APPROVALS

- UL Listed (USA + Canada)
- CCEA Chicago Plenum