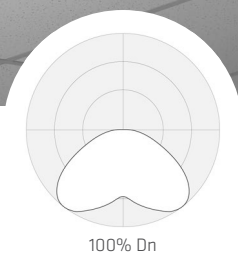


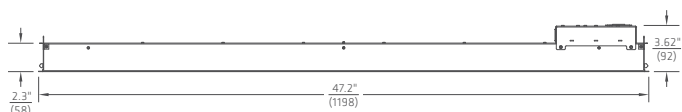
FLUXWERX

SPECIFICATION DATA
LOOP RECESSED 2x4 (LR1-24)

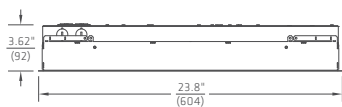
CROSS SECTION



DIMENSIONS



SIDE VIEW



FRONT VIEW

CATALOG

PROJECT

NOTES

PERFORMANCE SUMMARY

	A	B	C	D
Light (lm)	2702	3226	3875	5115
Energy (W)	19	23	29	38
Efficacy (lm/W)	147	139	136	138
Color Rendering (CRI)	80+			
Color Accuracy (SDCM)	< 2			
L70 Estimate (h)	200,000			
Lumen Maintenance per TM21 (@ 54,000 h)	L90			

Summary values are nominal and based on 4000K CCT.

FEATURES

- Fluxwerx radial Anidolic optics provide a precisely controlled 360° symmetrical batwing distribution with no view of the LED point source
- Complete family of recessed configurations for a multitude of applications and spaces: 1x1, 1x2, 1x4, 2x2, 2x4 plus 6"x1, 6"x1.5, 6"x2 and 6"x4
- Companion Loop Suspended family allows for an aesthetically connected design language
- Suitable for T-Bar or Drywall ceilings with a Trim or Trimless Flange. 6" wide versions are compatible with TechZone™ and USGBX™ ceiling systems
- The light distribution and high efficacies combine to allow wide fixture spacing with ample general illumination at energy densities less than 0.4 W/ft²
- Third party tested, Lighting Facts certified and backed by a 5-year warranty



SPECIFICATION DATA
LOOP RECESSED 2x4 (LR1-24)

ORDER GUIDE

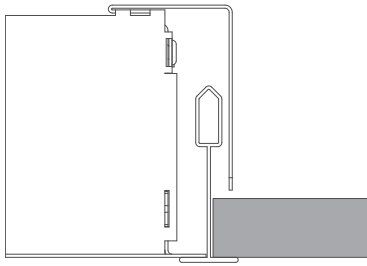
1	2	3	4	5	6	OPTIONS				
LR1	24									

1 FAMILY	2 SIZE	3 ENERGY ¹	4 CCT	5 DRIVER
LR1 Loop Recessed	61 6" x 1' (2 loop)	A 9.5 W	30 3000 K 35 3500 K 40 4000 K	F1 Non-Dim F2 0-10 V Dim 3% E1 eldoLED ECO 0-10 V Dim 1% E2 eldoLED SOLO 0-10 V Dim 0.1% E3 eldoLED ECO DALI 1% E4 eldoLED SOLO DALI Dim 0.1% L1 Lutron Hi-Lume 1%-H EcoSystem
	65 6" x 1.5' (3 loop)	A 12 W B 15 W		
	11 1" x 1'	A 12 W		
	62 6" x 2'	B 15 W		
	12 1" x 2'	C 19 W		
	22 2' x 2'	A 19 W		
	64 6" x 4'	B 23 W		
	14 1' x 4'	C 29 W		
	▶24 2' x 4'	D 38 W		
		¹ Add 4W for 347 V with E1-4/L1		

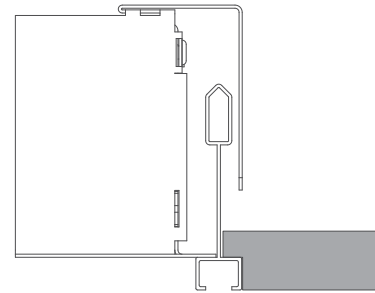
6 VOLTAGE	OPTIONS
M 120-277 V 3 347 V ²	B Battery Pack ³ C Chicago Plenum F 6' Flex Whip K1 Drywall Flange Kit - Trim K2 Drywall Flange Kit - Trimless
² 347 V Driver for F1/F2, 347 V Transformer & Driver for E1-4/L1	³ Available for 120-277 V

CEILING INTEGRATION GRID

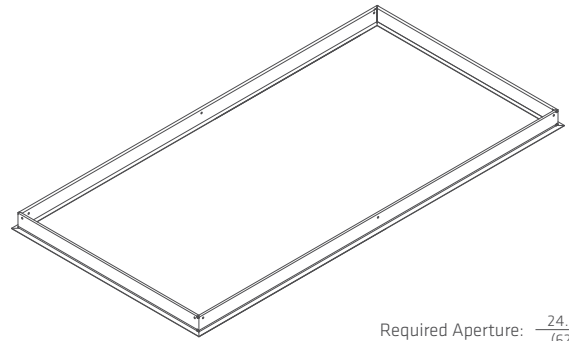
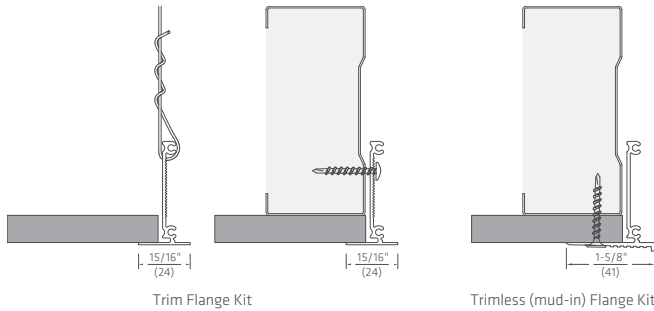
FLAT GRID



SLOT GRID



CEILING INTEGRATION DRYWALL



Required Aperture: $\frac{24.5'' \times 48.5''}{(622 \times 1232)}$

CONSTRUCTION

- Formed 22 ga. steel housing
- Quick wire access plate and integral seismic restraint tabs/tie-offs
- Optional drywall trim or trimless (mud-in) flange kits
- High reflectance diffuse white textured powdercoat

OPTICAL

- Radial Anidolic optical structures with detailed light extraction elements for 360° symmetric batwing distribution
- Precision molded high transmittance clear acrylic lenses
- Long life LED system designed for typical TM21 lumen maintenance \geq L90 @ 54,000 h
- Available in CCTs 3000 K, 3500 K or 4000 K with CRI \geq 80 and R9 \geq 0, all with color accurate binning \leq 2 SDCM

ELECTRICAL

- Integral high efficiency drivers 120-277 V or 347 V; 50-60 Hz
- Power Factor $>$ 0.90
- Total Harmonic Distortion $<$ 20%
- F2:0-10 V Dim Range: 3-100%
- Optional Battery Pack delivers 10 W Class 2 rated output for 90 min. Use 12 W input energy to estimate emergency flux, typically 1150-1750 lm (@100-150 lm/W).
- Optional Lutron: Hi-lume H-Series EcoSystem LED drivers for 100-1% (PWM) dim range
- Optional flex whip: 6' prewired
- Surge Protection: Meets ANSI C82.11 spec and ANSI/IEEE C62.41
- Inrush Current: Meets NEMA 410

ENVIRONMENTAL & CARE

- Designed for use in dry or damp indoor locations with ambient temperatures of 0-30° C (32-86° F)
- Not suitable for natatorium environments, e.g. swimming pools, hot tubs and saunas. The luminaire may be damaged by chemicals such as chlorine, solvents, ammonia, alcohol or sulfur in the area of operation or in cleaning products. Damage from contaminants is not covered under warranty.
- Clean only by wiping with a slightly water-damp, soft, clean cloth.

WEIGHT

- Maximum 31 lb (14.1 kg)
- Maximum 35 lb (15.9 kg) with battery pack

WARRANTY

- 5 year limited warranty on all components and workmanship

INDEPENDENT TESTING

- IESNA LM79
- IESNA LM80 (LED @ 9,000 h)

APPROVALS

- UL Listed (USA + Canada)
- CCEA Chicago Plenum
- IC Rated
- Lighting Facts®
- DesignLights Consortium®
Most options DLC qualified, please check catalog number in the QPL list (www.designlights.org/QPL)

SPECIFICATION DATA

LOOP RECESSED 2x4 (LR1-24)

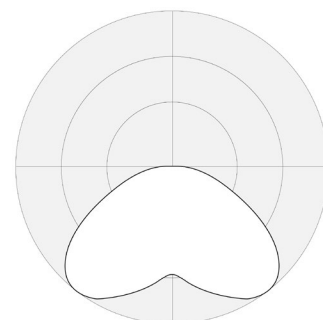
PERFORMANCE DATA

A 19 W	CCT	LIGHT (lm)	ENERGY (W)	EFFICACY (lm/W)	(CRI)	COLOR ACCURACY (R9)	(SDCM)
VERSION LR1-24A40	4000 K	2702	18.38	147	83.3	8.4	< 2
	3500 K	2658	18.39	144.6	83.3	8.4	
REPORT FLUXWERX	3000 K	2613	18.13	144.1	82.9	6	

B 23 W	CCT	LIGHT (lm)	ENERGY (W)	EFFICACY (lm/W)	(CRI)	COLOR ACCURACY (R9)	(SDCM)
VERSION LR1-24B40	4000 K	3226	23.16	139.3	83.4	8.5	< 2
	3500 K	3247	23.16	140.2	83.4	8.5	
REPORT FLUXWERX	3000 K	3269	23.16	141.1	83.4	8.5	

C 29 W	CCT	LIGHT (lm)	ENERGY (W)	EFFICACY (lm/W)	(CRI)	COLOR ACCURACY (R9)	(SDCM)
VERSION LR1-24C40	4000 K	3875	28.41	136.4	83.4	8.4	< 2
	3500 K	3901	28.41	137.3	83.4	8.4	
REPORT FLUXWERX	3000 K	3927	28.41	138.2	83.4	8.4	

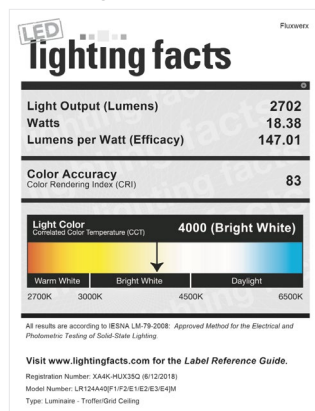
D 38 W	CCT	LIGHT (lm)	ENERGY (W)	EFFICACY (lm/W)	(CRI)	COLOR ACCURACY (R9)	(SDCM)
VERSION LR1-24D40	4000 K	5115	36.91	138.6	83.2	7.9	< 2
	3500 K	5149	36.91	139.5	83.2	7.9	
REPORT FLUXWERX	3000 K	5183	38.33	135.2	82.6	5.1	



100% Dn
Loop Recessed
2' x 4'
4000 K

Integrating Sphere and Photometric results at 4000K by an independent accredited testing laboratory per IES LM-79-2008 and ANSI C78.377-2011. Results for 3000K, 3500K scaled based on integrating sphere results at 47W (D). Candelpower Distribution scaled per total lumens of Integrating Sphere results.

LR1-24A40



LR1-24D40

