

FLUXWERX

SPECIFICATION DATA LOOP RECESSED 1x2 (LR1-12)



CATALOG

PROJECT

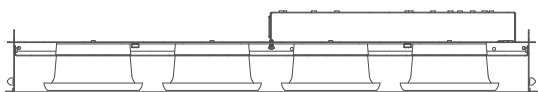
NOTES

PERFORMANCE SUMMARY

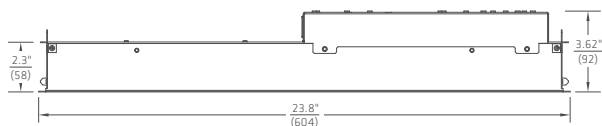
	A	B	C
Light (lm)	1500	1900	2450
Energy (W)	12	15	19
Efficacy (lm/W)	132	135	125
Color Rendering (CRI)	80+		
Color Accuracy (SDCM)	< 2		
L70 Estimate (h)	200,000	150,000	
Lumen Maintenance per TM21 (@ 54,000 h)	L90	L88	

Summary values are nominal and based on 4000K CCT.

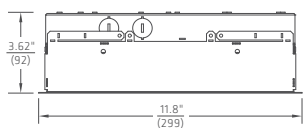
CROSS SECTION



DIMENSIONS



SIDE VIEW



FRONT VIEW

FEATURES

- Fluxwerx radial Anidolic optics provide a precisely controlled 360° symmetrical batwing distribution with no view of the LED point source
- Complete family of recessed configurations for a multitude of applications and spaces: 1x1, 1x2, 1x4, 2x2, 2x4 plus 6"x1, 6"x1.5, 6"x2 and 6"x4
- Companion Loop Suspended family allows for an aesthetically connected design language
- Suitable for T-Bar or Drywall ceilings with a Trim or Trimless Flange. 6" wide versions are compatible with TechZone™ and USGBX™ ceiling systems
- The light distribution and high efficacies combine to allow wide fixture spacing with ample general illumination at energy densities less than 0.4 W/ft²
- Third party tested, Lighting Facts certified and backed by a 5-year warranty



SPECIFICATION DATA
LOOP RECESSED 1x2 (LR1-12)

ORDER GUIDE

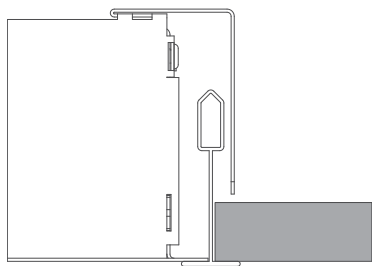
1	2	3	4	5	6	OPTIONS				
LR1	12									

1 FAMILY	2 SIZE	3 ENERGY ¹	4 CCT	5 DRIVER
LR1 Loop Recessed	61 6" x 1' (2 loop)	A 9.5 W	30 3000 K 35 3500 K 40 4000 K	F1 Non-Dim F2 0-10 V Dim 3% E1 eldoLED ECO 0-10 V Dim 1% E2 eldoLED SOLO 0-10 V Dim 0.1% E3 eldoLED ECO DALI 1% E4 eldoLED SOLO DALI Dim 0.1% L1 Lutron Hi-Lume 1%-H EcoSystem
	65 6" x 1.5' (3 loop)	A 12 W B 15 W		
	11 1' x 1'	A 12 W		
	62 6" x 2'	B 15 W		
	▶12 1' x 2'	C 19 W		
	22 2' x 2'	A 19 W		
	64 6" x 4'	B 23 W		
	14 1' x 4'	C 29 W		
24 2' x 4'	D 38 W			
¹ Add 4W for 347 V with E1-4/L1				

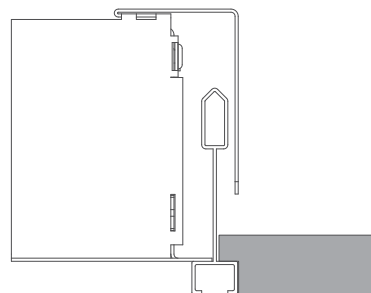
6 VOLTAGE	OPTIONS
M 120-277 V 3 347 V ²	B Battery Pack ³ C Chicago Plenum F 6' Flex Whip K1 Drywall Flange Kit - Trim K2 Drywall Flange Kit - Trimless
² 347 V Driver for F1/F2, 347 V Transformer & Driver for E1-4/L1	³ Available for 120-277 V

CEILING INTEGRATION GRID

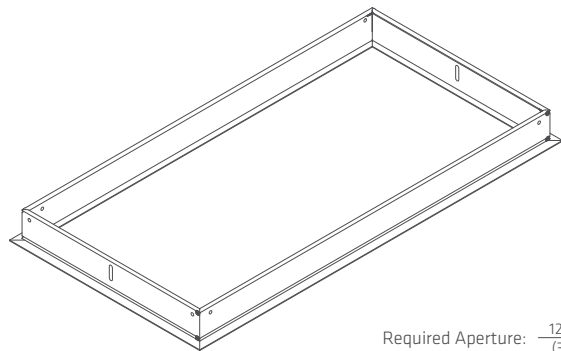
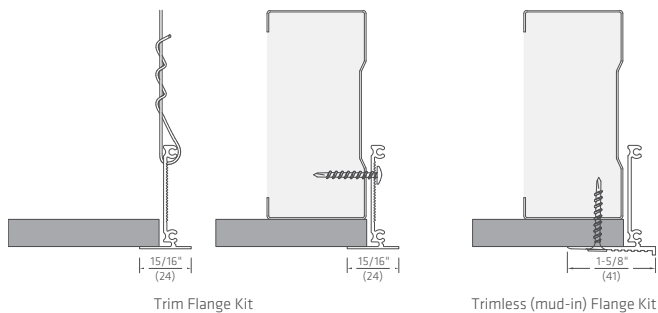
FLAT GRID



SLOT GRID



CEILING INTEGRATION DRYWALL



Required Aperture: 12.5" x 24.5"
(318 x 622)

CONSTRUCTION

- Formed 22 ga. steel housing
- Quick wire access plate and integral seismic restraint tabs/tie-offs
- Optional drywall trim or trimless (mud-in) flange kits
- High reflectance diffuse white textured powdercoat

OPTICAL

- Radial Anidolic optical structures with detailed light extraction elements for 360° symmetric batwing distribution
- Precision molded high transmittance clear acrylic lenses
- Long life LED system designed for typical TM21 lumen maintenance \geq L90 @ 54,000 h
- Available in CCTs 3000 K, 3500 K or 4000 K with CRI \geq 80 and R9 \geq 0, all with color accurate binning \leq 2 SDCM

ELECTRICAL

- Integral high efficiency drivers 120-277 V or 347 V; 50-60 Hz
- Power Factor $>$ 0.90
- Total Harmonic Distortion $<$ 20%
- F2:0-10 V Dim Range: 3-100%
- Optional Battery Pack delivers 10 W Class 2 rated output for 90 min. Use 12 W input energy to estimate emergency flux, typically 1150-1750 lm (@100-150 lm/W).
- Optional Lutron: Hi-lume H-Series EcoSystem LED drivers for 100-1% (PWM) dim range
- Optional flex whip: 6' prewired
- Surge Protection: Meets ANSI C82.11 spec and ANSI/IEEE C62.41
- Inrush Current: Meets NEMA 410

ENVIRONMENTAL & CARE

- Designed for use in dry or damp indoor locations with ambient temperatures of 0-30° C (32-86° F)
- Not suitable for natatorium environments, e.g. swimming pools, hot tubs and saunas. The luminaire may be damaged by chemicals such as chlorine, solvents, ammonia, alcohol or sulfur in the area of operation or in cleaning products. Damage from contaminants is not covered under warranty.
- Clean only by wiping with a slightly water-damp, soft, clean cloth.

WEIGHT

- Maximum 13 lb (5.9 kg)
- Maximum 17 lb (7.7 kg) with battery pack

WARRANTY

- 5 year limited warranty on all components and workmanship

INDEPENDENT TESTING

- IESNA LM79
- IESNA LM80 (LED @ 9,000 h)

APPROVALS

- UL Listed (USA + Canada)
- CCEA Chicago Plenum
- IC Rated
- Lighting Facts®
- DesignLights Consortium®
Most options DLC qualified, please check catalog number in the QPL list (www.designlights.org/QPL)

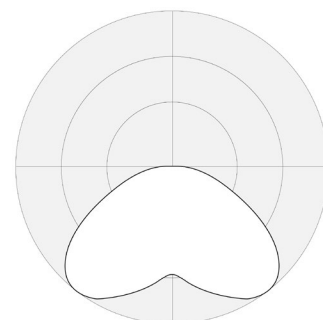
SPECIFICATION DATA
LOOP RECESSED 1x2 (LR1-12)

PERFORMANCE DATA

A 12 W	CCT	LIGHT (lm)	ENERGY (W)	EFFICACY (lm/W)	(CRI)	COLOR ACCURACY (R9)	(SDCM)
VERSION LR1-12A40	4000 K	1510	11.45	131.9	82.4	4.8	< 2
	3500 K	1496	11.45	130.7	82.4	4.8	
REPORT FLUXWERX	3000 K	1482	11.45	129.4	82.2	2.7	

B 15 W	CCT	LIGHT (lm)	ENERGY (W)	EFFICACY (lm/W)	(CRI)	COLOR ACCURACY (R9)	(SDCM)
VERSION LR1-12B40	4000 K	1912	14.19	134.8	82.4	4.8	< 2
	3500 K	1894	14.19	133.5	82.4	4.8	
REPORT FLUXWERX	3000 K	1876	14.19	132.2	81.9	1.8	

C 19 W	CCT	LIGHT (lm)	ENERGY (W)	EFFICACY (lm/W)	(CRI)	COLOR ACCURACY (R9)	(SDCM)
VERSION LR1-12C40	4000 K	2449	19.66	124.5	82.4	4.8	< 2
	3500 K	2426	19.66	123.4	82.4	4.8	
REPORT 12156787.05A	3000 K	2403	19.75	121.7	81.9	1.8	



100% Dn
Loop Recessed
1' x 2'
4000 K

Integrating Sphere and Photometric results at 3000K and 4000K by an independent accredited testing laboratory per IES LM-79-2008 and ANSI C78.377-2011. Results for 3500K scaled based on integrating sphere results at 19W (C). Candlepower Distribution scaled per total lumens of Integrating Sphere results.

LR1-12A30

LED lighting facts	
Light Output (Lumens)	1482
Watts	11.45
Lumens per Watt (Efficacy)	129.43
Color Accuracy Color Rendering Index (CRI)	82
Light Color Correlated Color Temperature (CCT)	3000 (Bright White)
<small>All results are according to IESNA LM-79-2008: Approved Method for the Electrical and Photometric Testing of Solid-State Lighting.</small>	
<small>Visit www.lightingfacts.com for the Label Reference Guide.</small>	
<small>Registration Number: XA4K-TJUVR3 (2/28/2018) Model Number: LR112A30P1F3E1E3E3E4M Type: Luminaires - Troffer/Grid Ceiling</small>	

LR1-12C40

LED lighting facts	
Light Output (Lumens)	2449
Watts	19.66
Lumens per Watt (Efficacy)	124.57
Color Accuracy Color Rendering Index (CRI)	82
Light Color Correlated Color Temperature (CCT)	4000 (Bright White)
<small>All results are according to IESNA LM-79-2008: Approved Method for the Electrical and Photometric Testing of Solid-State Lighting.</small>	
<small>Visit www.lightingfacts.com for the Label Reference Guide.</small>	
<small>Registration Number: XA4K-SC0EEJ (2/28/2018) Model Number: LR112C40P1F3E1E3E3E4M Type: Luminaires - Troffer/Grid Ceiling</small>	