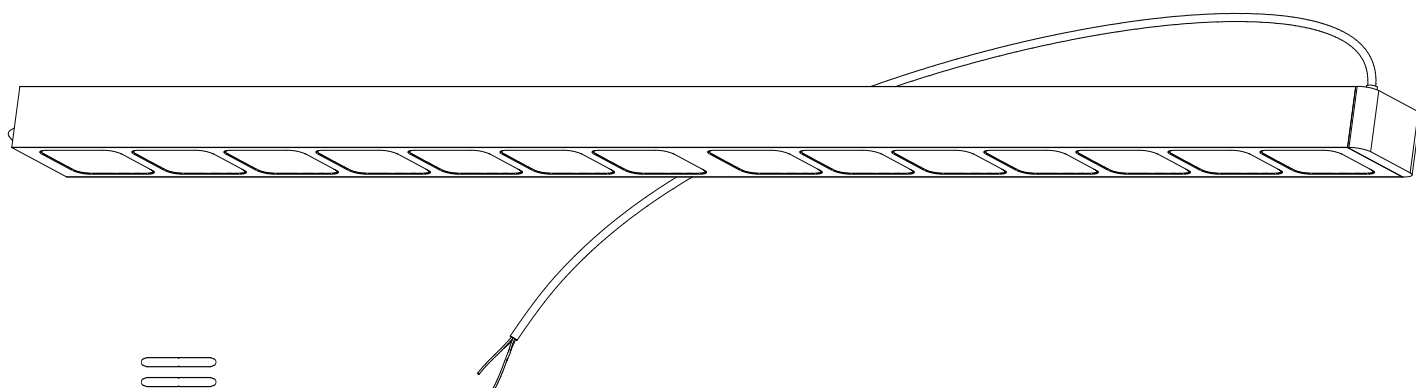


INSTALLATION: APERTURE



! IMPORTANT

READ BEFORE BEGINNING INSTALLATION:

- **Do not** join fixture lengths together on the floor and lift into place. This introduces significant forces on the joints and will damage the fixtures
- Leave the protective bag on the fixture during installation
- All fixtures should be installed in accordance with national and local building and electrical codes.

TOOLS REQUIRED

Tools:

- Level
- Measuring Tool
- Wire Stripper / Knife
- Phillips Screwdriver

1 INSTALL CEILING DRIVER ENCLOSURE

*Refer to Driver Enclosure Installation Documents
+ Row Configuration Document*

2 LEAVE AIRCRAFT CABLE FULL LENGTH

Install ceiling driver enclosure and aircraft cable suspension per appropriate ceiling type installation instructions - noting the fixture spacing and that the non-power suspension point is NOT the end suspension point.

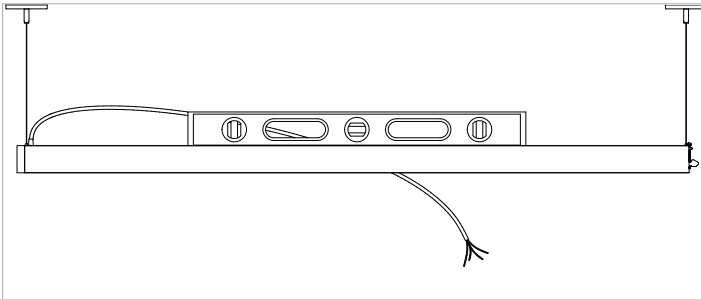
Do NOT trim the aircraft cable
The factory trimmed aircraft cable ends are required for insertion of the cable into the fixture cavity.

3 LAY OUT LUMINAIRES

Refer to Row Configuration Document

Lay the fixture sections out to ensure the correct sections with ends and joints are supplied. Note that runs will have a Non-Power suspension point located one point in from the end of the run. Ensure fixture sections are laid out to match the Power suspension points on the ceiling.

5 LEVEL FIXTURE



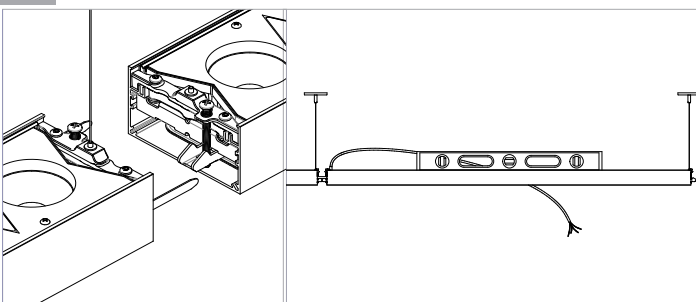
Adjust the height and level the fixture section. The aircraft cable gripper is released by pressing down on the gripper sleeve.

For Endcaps: The excess aircraft cable will feed into an internal cavity in the fixture and does not need to be trimmed.

For Joins: The excess aircraft cable needs to be routed back into the fixture. See Step #6.

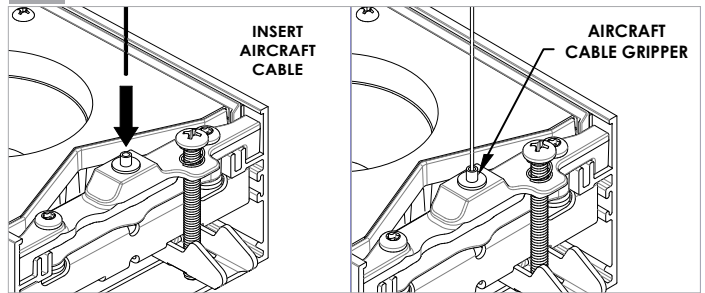
If stand-alone fixture, go to step #9.

7 JOIN FIXTURES + LEVEL



1. Lift the next fixture section into place on the far end and join the other end to the previous fixture section by pressing the two fixtures together.
2. To ease joining, press down on the two spring loaded joining screws (shown in Step 8)
3. Level the far end of the fixture by adjusting the aircraft cable in the gripper.

4 LIFT INTO POSITION

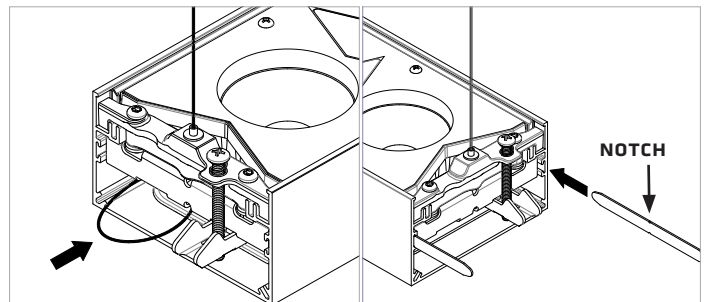


1. Lift the first fixture section (or individual fixture if stand-alone) into place.
2. Insert the aircraft cables into both ends of the fixture mounts (aircraft cable gripper).

NOTE:

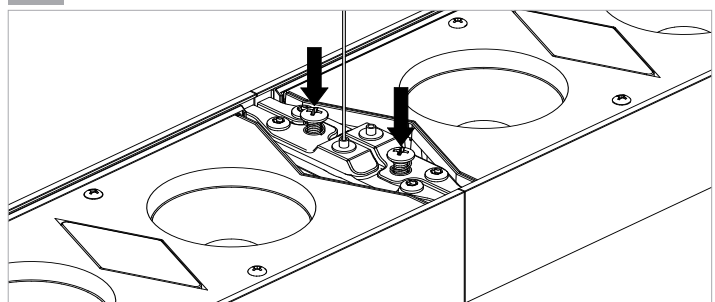
1. For Drywall and Surface ceiling types, feed the aircraft cable through the canopy cover and threaded sleeve before inserting the cable into the fixture mount.
2. Leave the protective bag on the fixture during installation

6 PREPARE JOIN



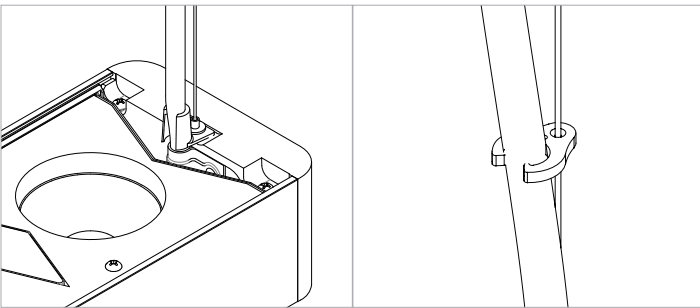
1. Feed all of the excess aircraft cable back into the fixture as shown.
2. Slide aligner pins into end of hanging fixture until the pins stop (half way)

8 SECURE JOINT



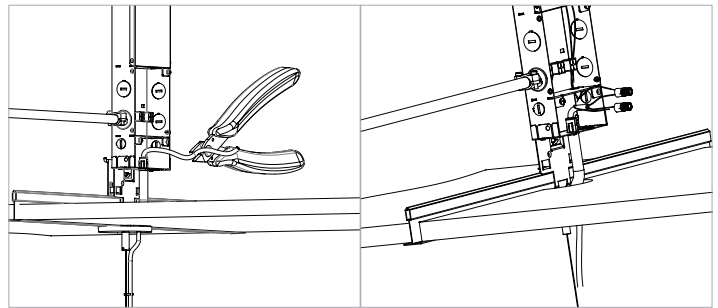
1. Push fixtures together and use a #2 Phillips screwdriver to tighten two top vertical joining screws. Tighten until snug. Do not over-tighten. (Low torque power tools OK.)
2. Repeat steps 6, 7 + 8 with each fixture section.

9 ATTACH POWER CORD



1. Clip fixture end of cord into the cord restraint.
2. Lift low-voltage power cord up to ceiling box and attach cord clips.

10 CONNECT TO J-BOX



1. Determine the length of cord required
2. Cut off the excess.
3. Strip the jacket and wires.
4. Connect to the blue and red wires in the low voltage junction box using supplied wire connectors.

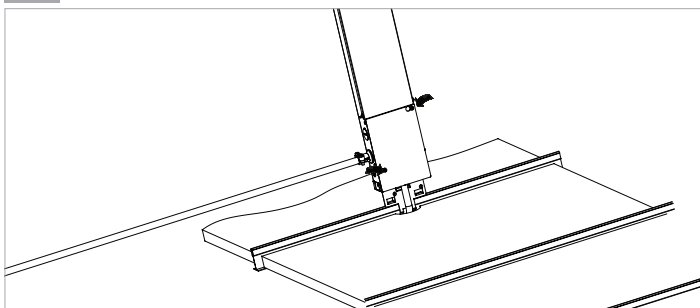
NOTE: Depending on ceiling type, the canopy may need to be slid down the cord to complete the low voltage wiring.

NOTE:

For APS, APC: 4 conductor cords have a red + blue stripe pair and a red + blue solid pair – ensure the pairs are maintained in junction box connections.

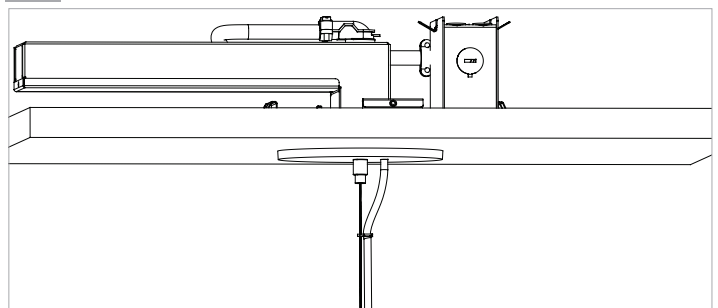
- The solid pair connects to the 4 foot section of fixture nearest the cord.
- The striped pair connects the 4 foot section furthest from the cord.
- Connect the pairs to the appropriate driver circuit (for 2 circuit module, solid pair is circuit 2, striped pair is circuit 1).
- If driver enclosure has only one pair of output wires, connect all red wires together (3) and all blue wires together (3).

11A T-BAR APPLICATIONS: CLOSE WIRING LID



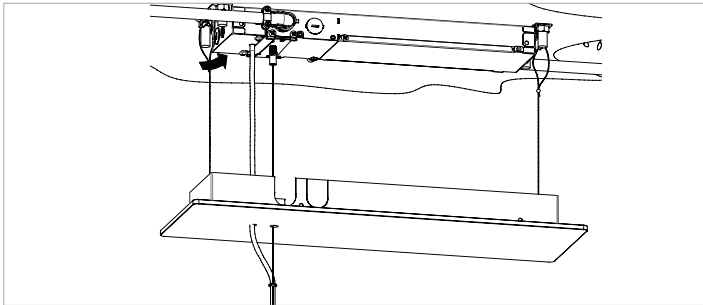
For T-bar ceilings: Close the wiring lid.

11B DRYWALL APPLICATIONS: INSTALL CANOPY



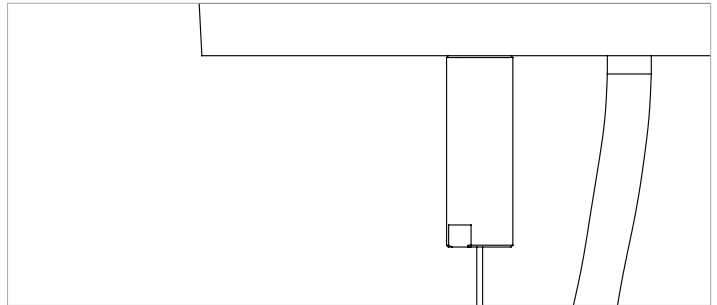
For Drywall ceilings: Lift the canopy into place and tighten the sleeve.

11C SURFACE APPLICATIONS: INSTALL COVER ASSEMBLY



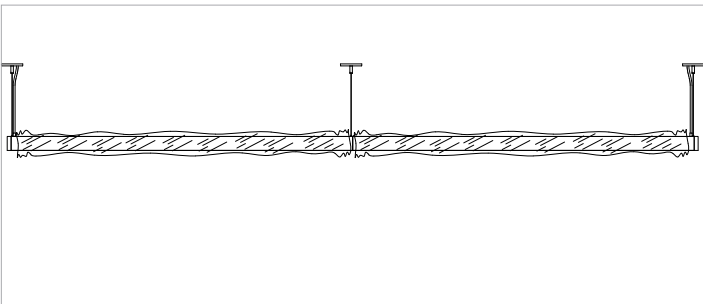
For Surface Mount: Close the low voltage wiring lid, install the cover assembly into place, and tighten the sleeve.

12 SECURE CORD + APPLY POWER.



1. Stretch the cord up and reset the cord clips to hold the cord in line with the aircraft cable.
2. Apply power to the driver circuit(s).

13 REMOVE BAG LATER



1. Leave the protective bag on the fixtures until construction and furniture are complete.
2. Fixture can be operated as normal with the bag on.
3. When complete, tear bag at perforation to remove. Do not use knives or tools.