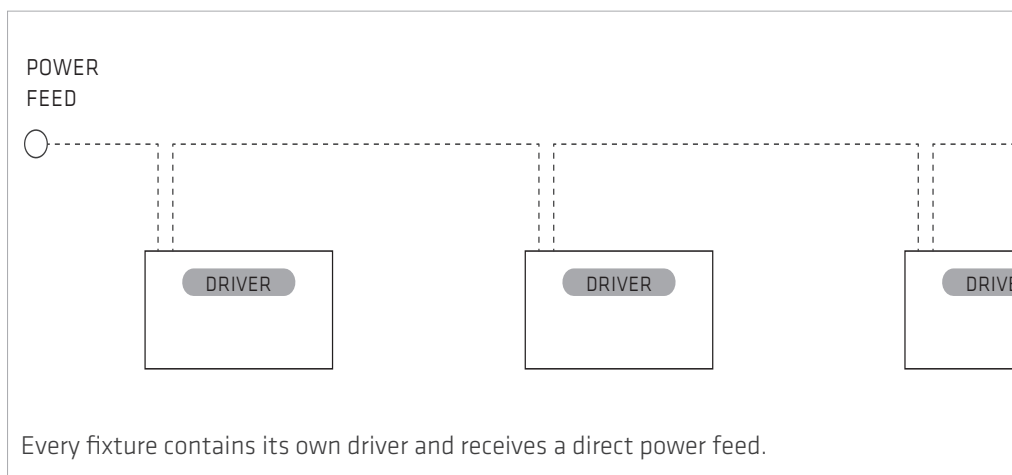


# Install Instruction

## INSTALLATION: LOOP RECESSED LED

### Attention:

This installation guide does not apply to Loop 1x1. See specific Loop 1x1 installation document for instructions.



### DRYWALL

If installing in DRYWALL, install the drywall flange kit first. Refer to separate drywall flange kit instruction sheet.



### TOOLS + MATERIALS REQUIRED

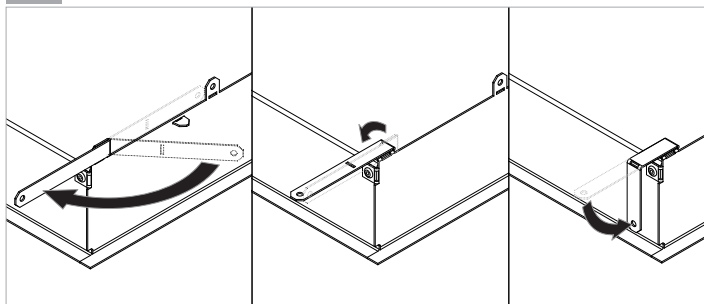
#### Tools:

- Phillips Screw Driver
- Screw Gun
- Pliers

#### Materials:

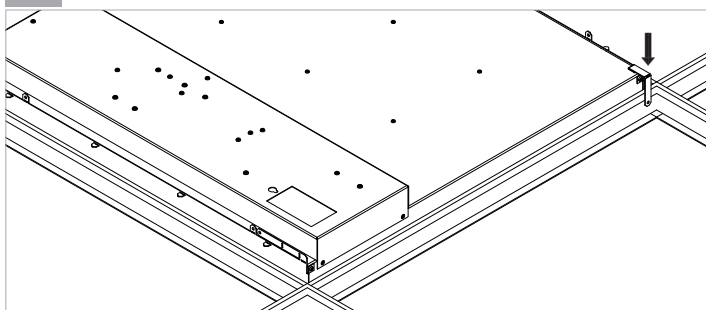
- Wire Connectors
- #8 Sheet Metal Screw
- Hanger Wire

### 1 BEND MOUNTING TAB



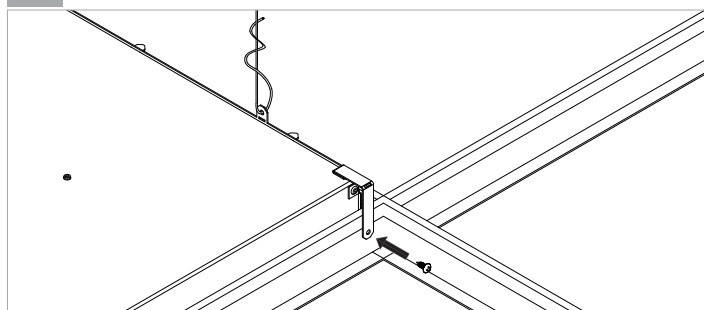
Bend mounting tab as shown.

### 2 POSITION ON T-GRID



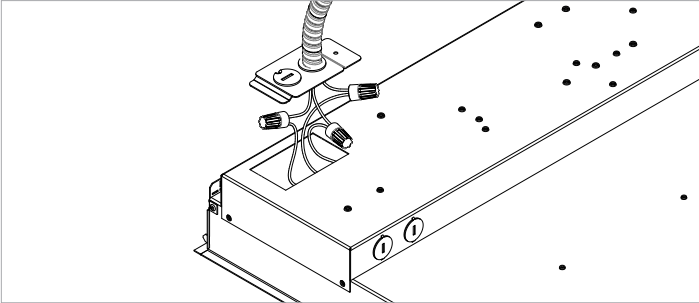
Lay fixture into T-grid.

### 3 ATTACH TO GRID STRUCTURE



Use a #8-1/4" sheet metal screw to fasten fixture to T-grid and use a hanger wire to tie off appropriately in accordance with local building codes (screws and hanger wires supplied by others).

### 4 MAKE ELECTRICAL CONNECTIONS

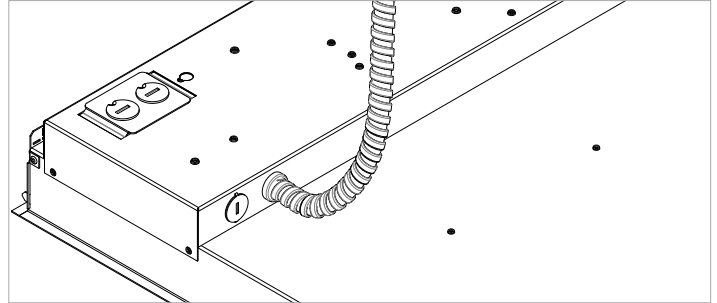


Make all electrical connections to the fixture.

#### NOTES:

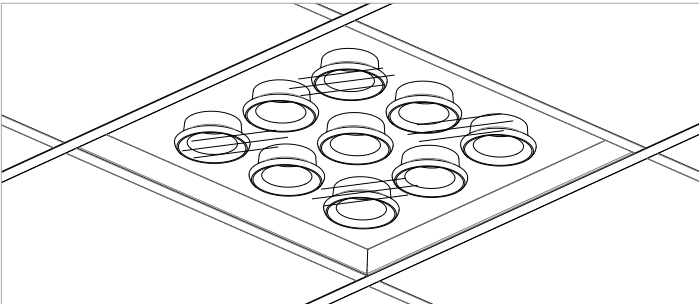
1. Wire 0-10VDC Dimming Leads as Class 1
2. For flex whip option, see Step 5

### 5 OPTIONAL FLEX WHIP



Optional flex whip pre-installed. Complete electrical connections in accordance with local building codes.

### 6 REMOVE PROTECTIVE FILM



Remove dust protection film from the fixture after all building furnishing is complete.