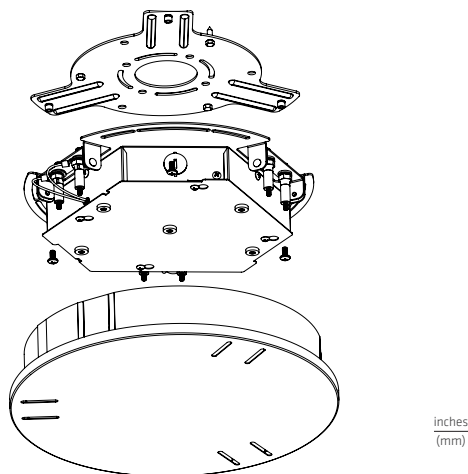




# Installation Instruction

## INSTALLATION: SPOKE INSTALL - STRUCTURE

Ceiling Type	Structure
Version	All Structure Versions - Except Battery Pack



### IMPORTANT

All fixtures should be installed in accordance with national and local building and electrical codes.

The installation instructions apply to both 3-Spoke + 4-Spoke fixtures. 3-Spoke is shown.

### TOOLS + MATERIALS REQUIRED

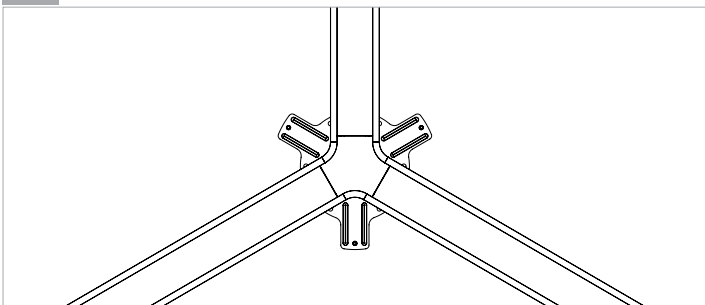
#### Tools:

- Condit + Wiring Tools
- Pliers
- Phillips Screwdriver
- Structure Anchoring Tools
- Pencil / Scribe

#### Materials:

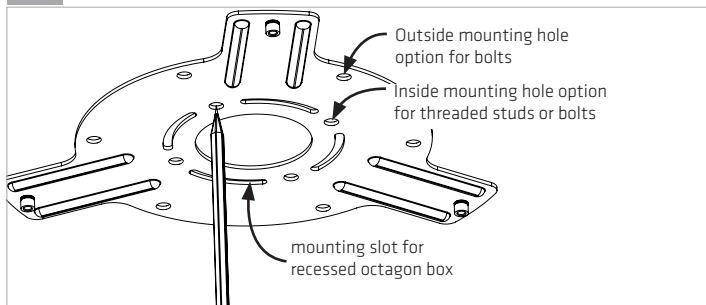
- Ceiling Anchors, 1/4" Diameter

### 1 ORIENT MOUNTING PLATE



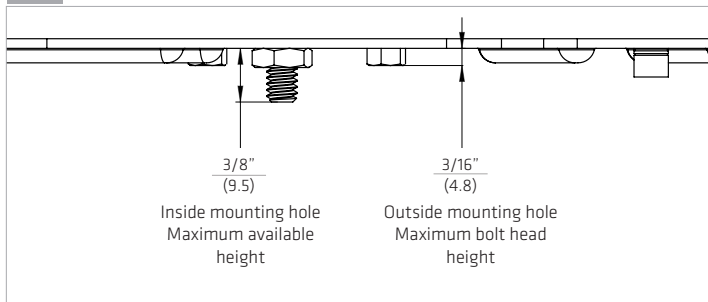
1. Determine mounting plate orientation.  
 Note: Plate spokes are opposite to the fixture's Spokes.

### 2A MARK MOUNTING HOLES



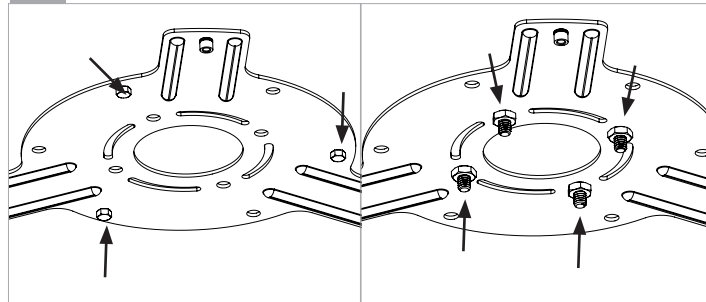
1. Mark mounting hole locations.

### 2B PREPARE MOUNTING HOLES



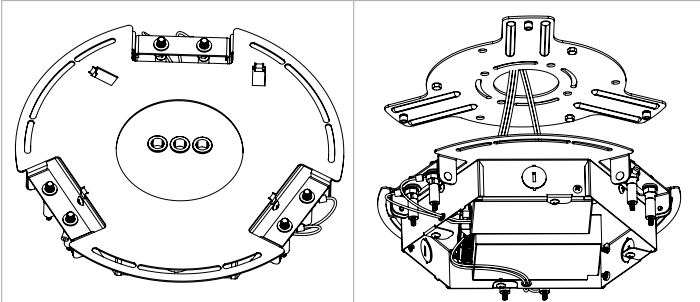
1. Prepare anchors for mounting hole options.  
 Notes:
  1. There are anchor type height restrictions
  2. Recommended 3 or 4, 1/4" diameter anchors

### 3 MOUNT PLATE TO STRUCTURE



1. Anchor mounting plate to structure (fasteners by others). Use bolts or threaded stud and nuts as shown

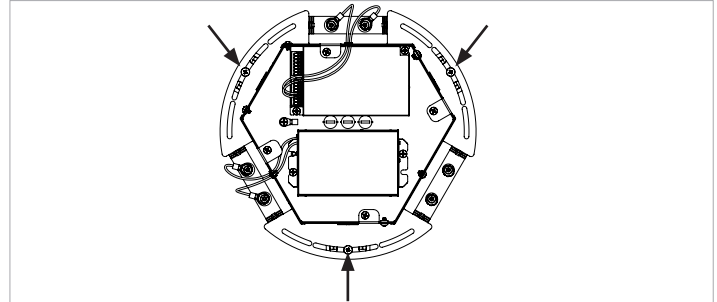
**4 FOR RECESSED JBOX, PREPARE WIRING**



For Recessed JBox:

1. Remove driver enclosure lid
2. Break rear knockouts and insert supplied bushings (3)
3. Feed field wires through rear wireway holes

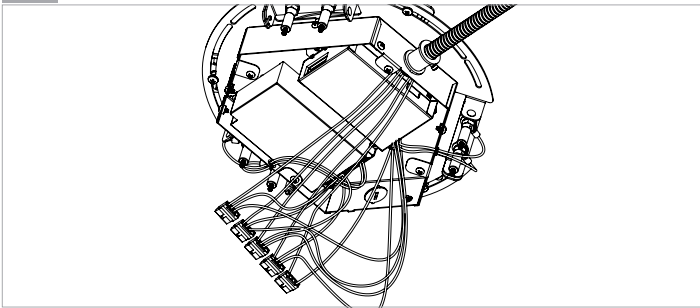
**5 ORIENT MOUNTING + INSTALL ASSEMBLY**



1. Rotate the driver/suspension assembly to desired luminaire spoke orientation. The suspension points are the luminaire spoke position.
2. Secure the assembly to the mounting plate with supplied #10 screws.

Note: Driver Lid may be on or off for this step

**6 INSTALL SURFACE CONDUIT + COMPLETE ELECTRICAL CONNECTION**



For Surface Conduit:

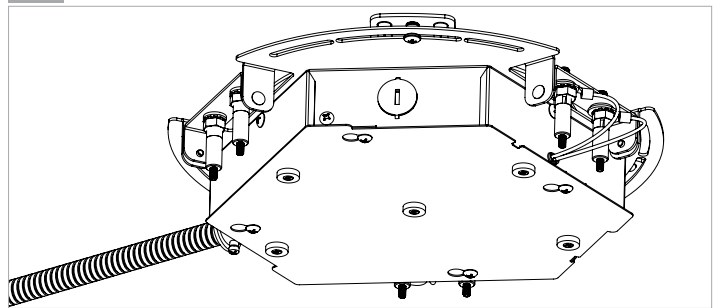
1. Install conduit to driver enclosure knockout.

For Recessed JBox or Surface Conduit:

1. Complete electrical connections to driver wiring with supplied wire nuts.

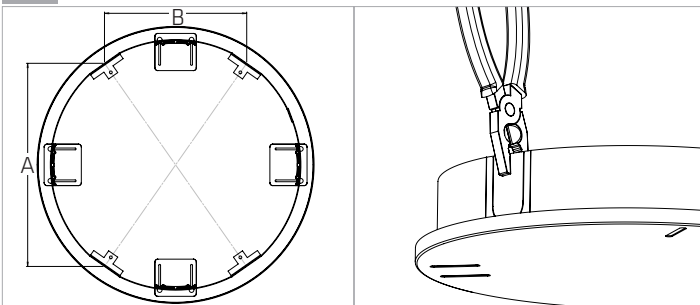
Notes: Wire dimming control wires as Class 1

**7 RE-INSTALL DRIVER LID**



1. Re-install driver lid.

**8 BREAK CONDUIT KNOCKOUT ON CANOPY**



For Surface Conduit:

1. Observe knockout locations on 4 Spoke canopy are not symmetrical. Determine correct knockout to open.
2. Break appropriate knockout for surface conduit location.