

IMPORTANT SAFEGUARDS

When using electrical equipment, basic safety precautions should always be followed including the following:

READ AND FOLLOW ALL SAFETY INSTRUCTIONS.

- Installation and servicing should be performed by qualified service personnel
- Install in accordance with the National Electrical Code, Canadian Electrical Code, and any local regulations
- A Constant/Unswitched AC source is required (120 through 277 VAC, 50 or 60 Hz)
- The Constant/Unswitched lead must be fed from the same branch circuit as the Switched lead
- The maximum mounting height for emergency lighting purposes is 13 feet
- The luminaire is not suitable for wet or hazardous locations.
- To reduce risk of electric shock, disconnect both the Switched (normal) and Constant/Unswitched (emergency charging) connections before servicing the luminaire
- Disconnect the battery pack “blade” fuse before servicing the batteries – internal to luminaire enclosure
- Do not install near gas or electric heaters
- Equipment should be installed in locations and at heights where it will not be subjected to tampering by unauthorized personnel
- The use of accessory equipment not recommended by the manufacturer may cause an unsafe condition
- Do not use this equipment for other than its intended use

SAVE THESE INSTRUCTIONS

INSTALLATION

TOOLS REQUIRED

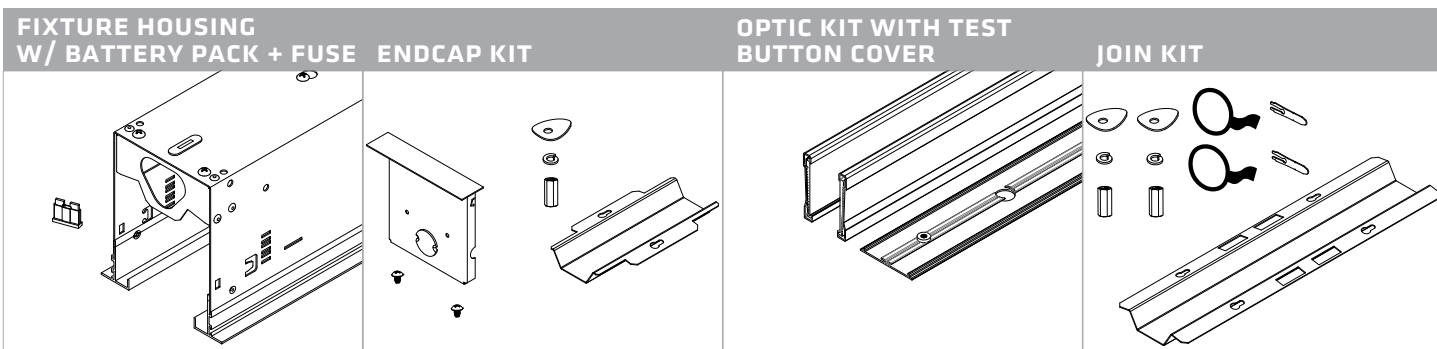
Tools:

- #2 - Phillips Screwdriver
- Flat Blade Screwdriver
- Drywall Cutting Tool
- Pliers
- Mallet

Materials:

- 1/4 - 20 Threaded Rod or 1/4" Lag Bolts

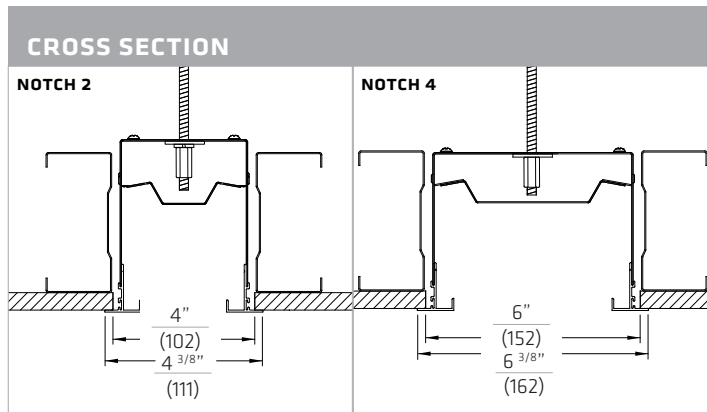
inches
(mm)



IMPORTANT

READ BEFORE BEGINNING INSTALLATION:

- **Do not** join fixture lengths together on the floor and lift into place. This introduces significant forces on the joints and will damage the fixtures.
- All fixtures should be installed in accordance with national and local building and electrical codes.
- Do not install internal optical modules prior to installing housing in ceiling.
- Do not remove green housing spacers until the housing is installed in the ceiling.

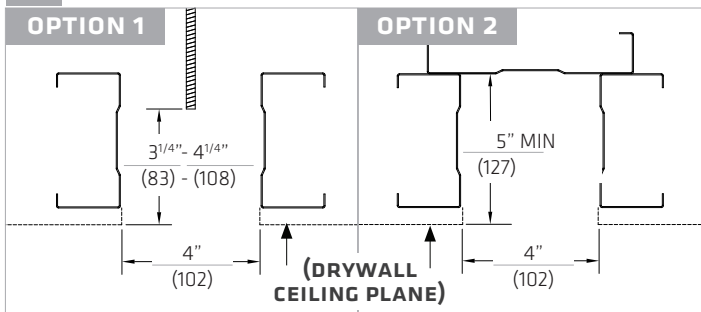


CEILING PREPARATION

1 DETERMINE ROW LAYOUT

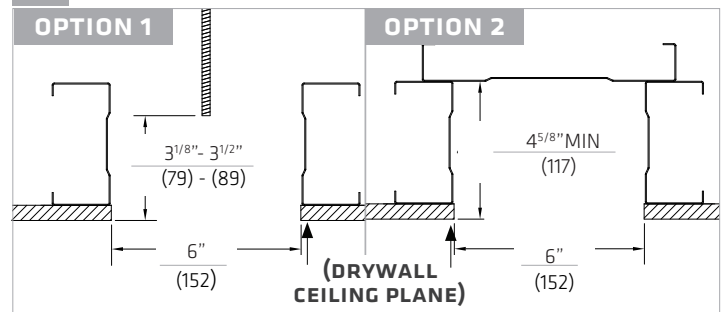
Refer to row configuration document. Plan fixture housing positions per the row configuration document.

2 PEPARING CEILING: NOTCH 2

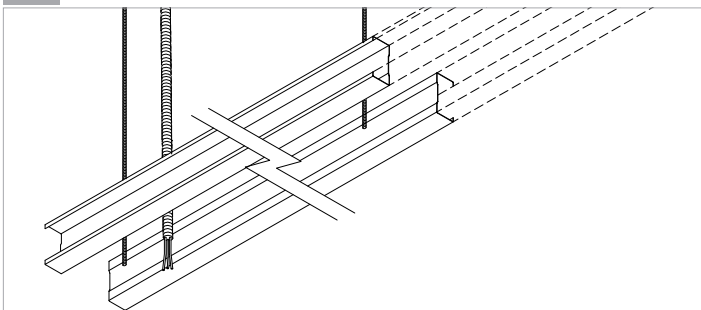


1. Frame channel - per row configuration doc.
2. Prepare suspension:
 - **OPTION 1:** 1/4-20 threaded rod secured to ceiling structure, positioned per row configurator doc.
 - **OPTION 2:** Install structural backing in same locations noted for 1/4-20 rod.
3. The straightness and accuracy of the cutout is critical in ensuring proper fixture fit and aesthetics to ceiling. Installer to use appropriate methods to frame channels accurately.

2 PEPARING CEILING: NOTCH 4



3 INSTALL POWER DROP

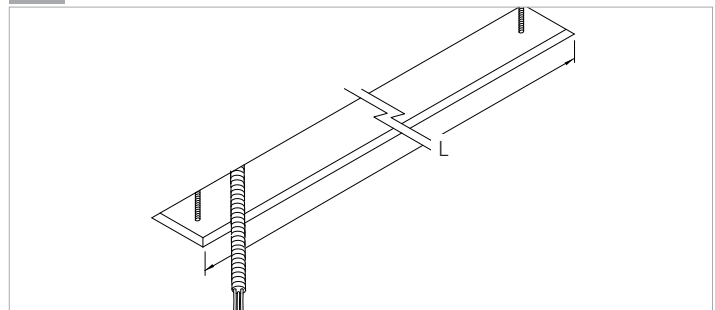


Identify and install power drop location(s) allowing enough length that the end drops a minimum 12\"/>

NOTE:

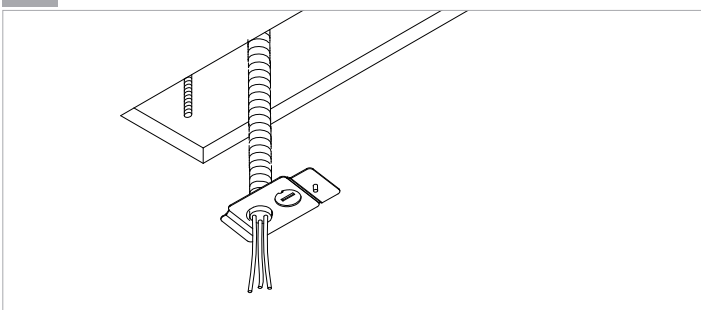
1. Multi-housing row can be powered from only one housing.
2. Fixture through wiring is 14 AWG. Calculate maximum row length per fixture watts per foot and local and national building codes.
3. Wire dimming control wires as Class 1.

4 INSTALL DRYWALL CEILING + CUT OPENING



1. Determine cutout dimensions for fixture run by referencing the row configuration document. Drywall backing at the ends of row are not required.

5 ATTACH POWER ACCESS PLATE



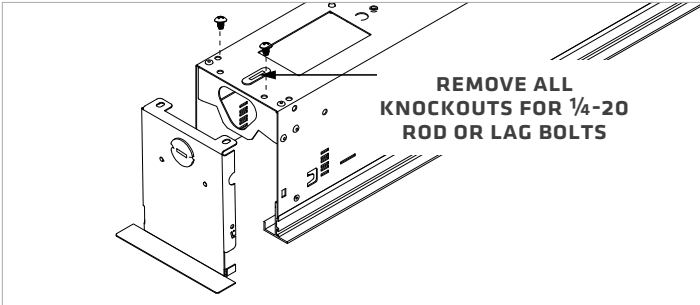
Connect the armored cable to the power access plate.

NOTE:

Alternate housing end knockout can be used for power entry.

HOUSING INSTALLATION

6A INSTALL ENDCAPS

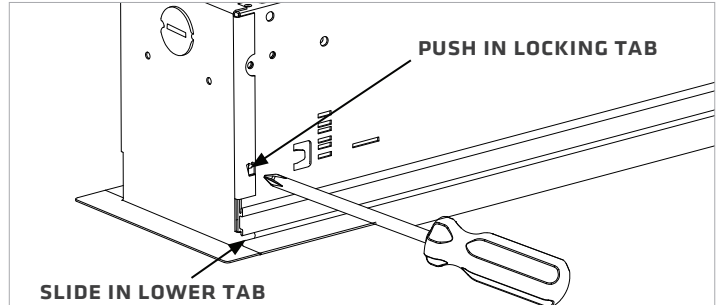


1. Install endcaps with supplied fasteners on fixtures.
2. Remove knockouts using flat blade screwdriver.

NOTE:

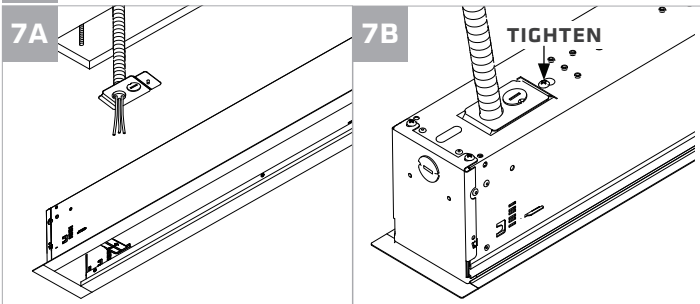
Standalone fixtures require 2 endcaps, start-of-run (and end-of-run) fixtures require 1 endcap and mid-run fixtures require no endcaps.

6B BEND ENDCAP TABS



1. Bend lower tabs (both sides) and insert into alignment channel.
2. Push-in locking endcap tab (both sides) using a Philips screwdriver.

7 RAISE FIXTURE INTO POSITION

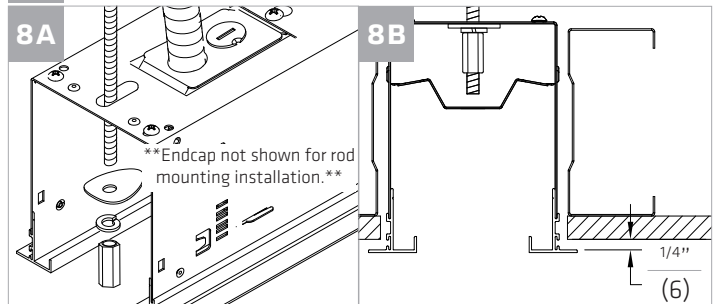


1. Safely raise the fixture into position below the ceiling plane.
2. Connect the power access plate to fixture housing and tighten using supplied screw.

NOTE:

Do not complete any electrical connections yet.

8 ATTACH TO THREADED RODS

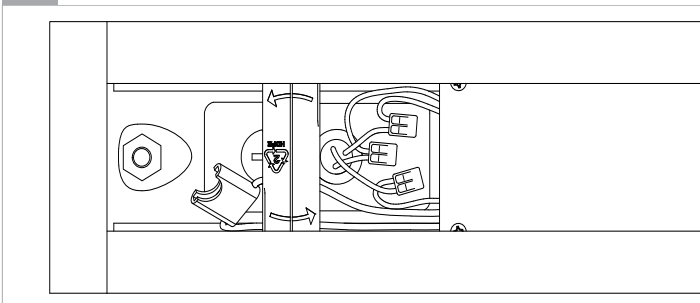


1. Continue raising the fixture into the ceiling and feed threaded rods through housing. Install supplied washers and hand tighten 1/4-20 nuts (or partially install Lag bolts).
2. Set fixture height to approx. 1/4" below ceiling plane.

NOTE:

Nuts and washers supplied in joiner and endcap kits.

9 COMPLETE ELECTRICAL CONNECTIONS

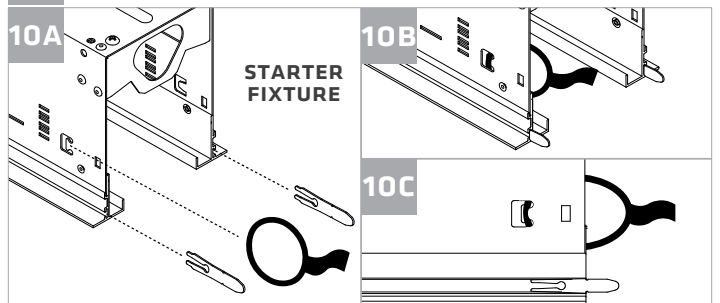


Complete all electrical connections using supplied quick connects. **FOR STAND-ALONE FIXTURES SKIP TO STEP 13.**

NOTE:

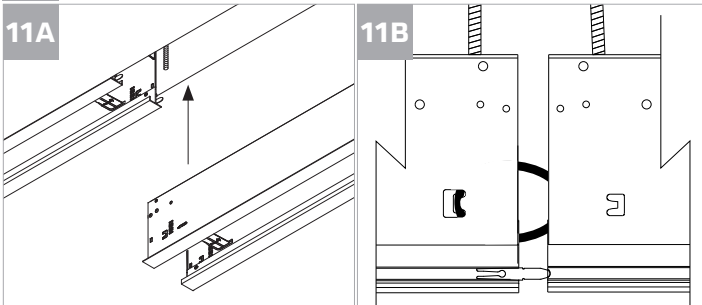
1. Wire dimming control wires as Class1.
2. Do not energize the circuit until both the housing and optic module installation is complete.
3. Ensure **constant**/ unswitched lead is fed from the same branch circuit as the **switched** lead.
4. Do not install fuse at this point or else the fuse may blow when optic modules are connected.

10 PREPARE FIXTURES FOR JOINING



1. Gently tap-in pins into starter fixture up to mid-mark using a mallet, per the orientation shown.
2. Hook one O-ring into starter fixture slot as shown.
3. Prepare joining fixture by installing
 - Endcaps (if required, step 6)
 - One O-ring

11 RAISE JOINING FIXTURE

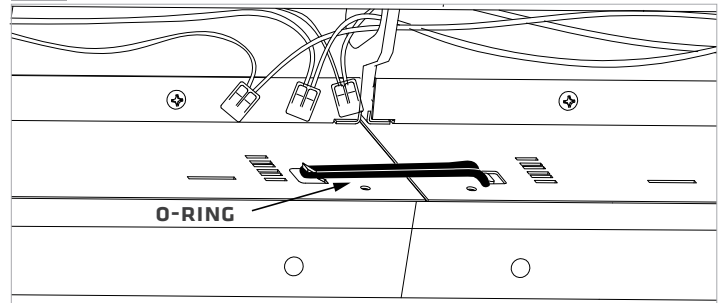


1. Safely raise joiner fixture into ceiling.
2. Feed both threaded rods through housing.
3. Install supplied washers and 1/4-20 nuts (or partially install Lag bolts)
4. Set fixture height to match starter fixture.

NOTE:

For the final corner installation of closed patterns, pins may need to be inserted deeper into the fixture, past the pin mid point.

12 JOIN FIXTURES

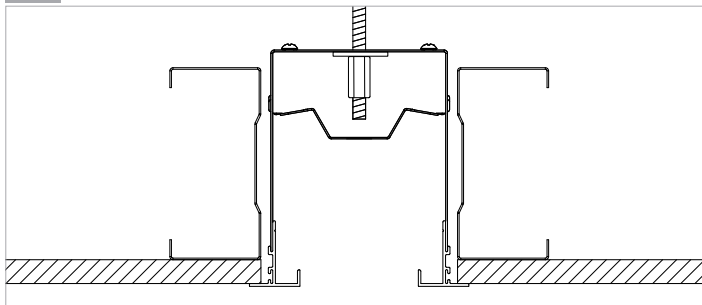


1. Slide joiner fixture onto alignment pins of starter fixture.
2. Hook O-ring onto other fixture to pull them together.
3. Repeat O-ring install on opposite side.
4. Pull wires through joiner plate and make all electrical connections using supplied wire nuts.
5. Install additional joining fixtures to complete row as required.

NOTE:

For dimming control wires, a jumper harness is supplied in the join kit.

13 RAISE FIXTURE ROW TO FINAL HEIGHT

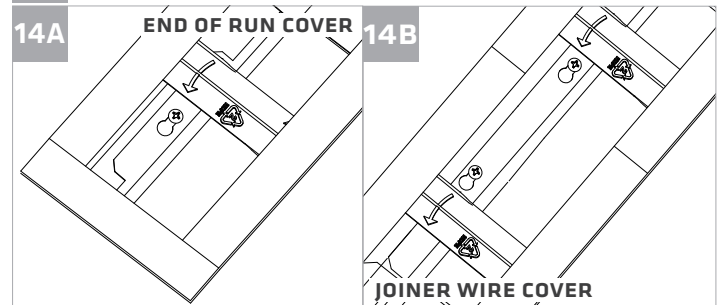


Using hand tools tighten 1/4-20 nuts evenly until fixture row is raised to ceiling level (or Lag bolts if applicable).

NOTE:

1. Use caution not to over-stress the joins.
2. Do not overtighten nuts.
3. Check fixture run for straightness and aesthetics.
4. Position the washer to cover/seal the obround opening

14 INSTALL WIRE COVERS



1. Install wire cover and shift into position.
2. Ensure cover is flush with adjacent driver cover.
3. Adjust joint/run straightness if necessary.
4. Tighten supplied screws.

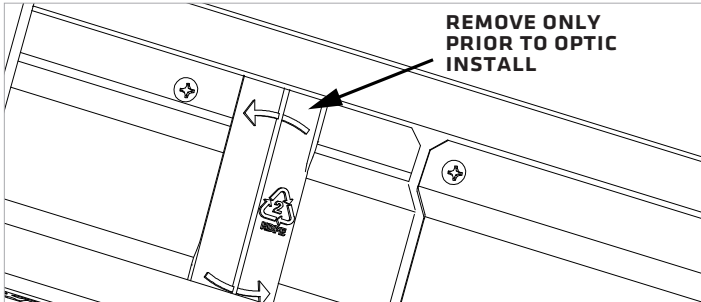


IMPORTANT

All fixtures should be installed in accordance with national and local building and electrical codes.

OPTIC INSTALLATION + EMERGENCY DRIVER CHECK

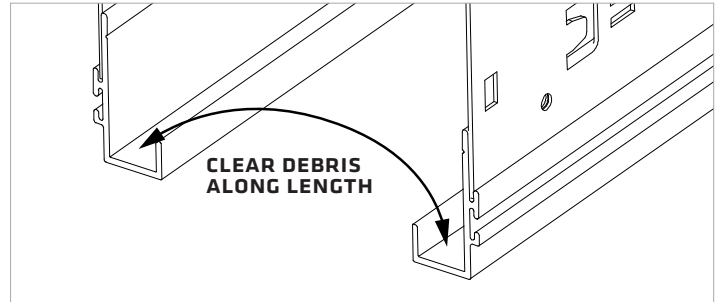
1 REMOVE GREEN CHANNEL SPACERS



Rotate and remove all green channel spacers once housing installation is completed.

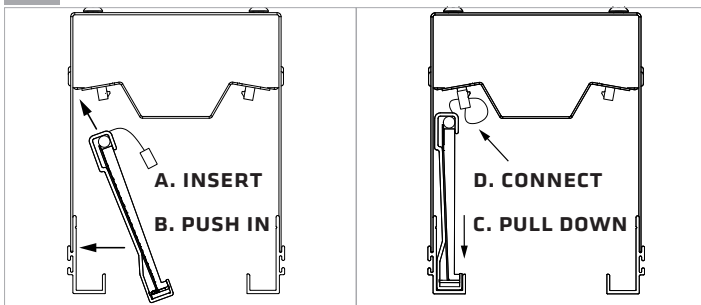
Do not remove prior to optic installation.

2 CLEAN EXTRUSION RAILS



Ensure inner extrusion rails are clean and free of construction debris. Any debris will prevent the optic from installing properly

3 INSTALL OPTICS

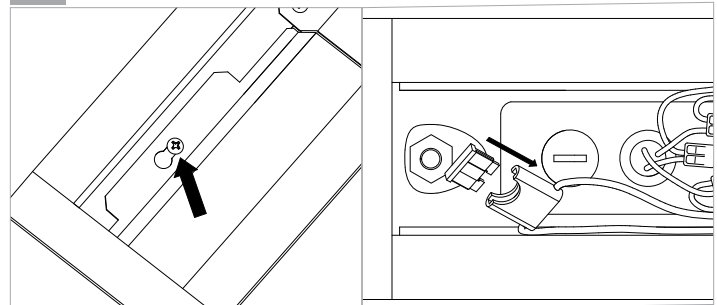


1. Insert the optic into the fixture housing as shown.
2. Ensure the optic is fully seated in the extrusion rail.
3. Connect the low-voltage wire harness for each optic, and tuck wires into recess.
4. Repeat for other side.

NOTE:

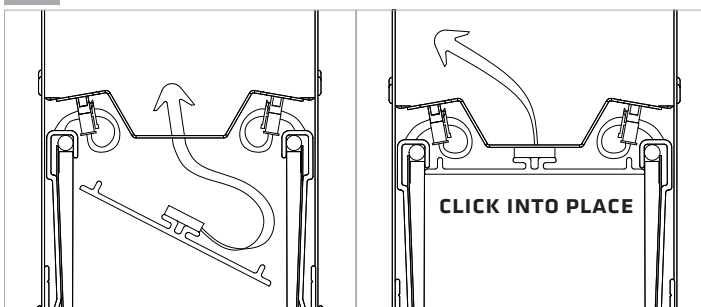
For 8ft fixtures, the 4ft nominal optic module lengths are not the same. Install the same length pairs at each fixture end for best aesthetics.

4 INSERT FUSE AFTER CIRCUIT IS ENERGIZED



1. Loosen wiring cover screws and slide cover to the side
2. Energize circuit
3. Insert Battery Driver Fuse after optic modules are installed and circuit is energized.
4. Re-install wiring cover

5 INSTALL MAGNETIC TOP REFLECTOR

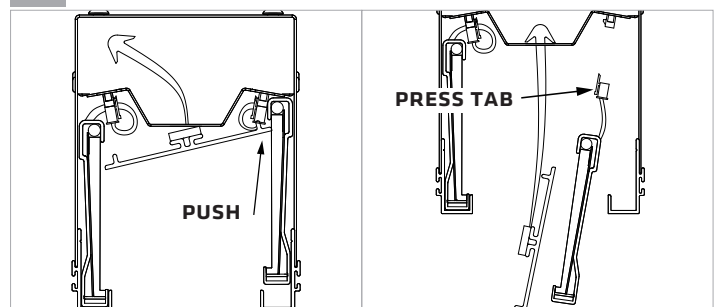


1. Insert safety strap hook through driver cover slot.
2. Position magnetic top reflector in place with hole over battery test button

NOTE:

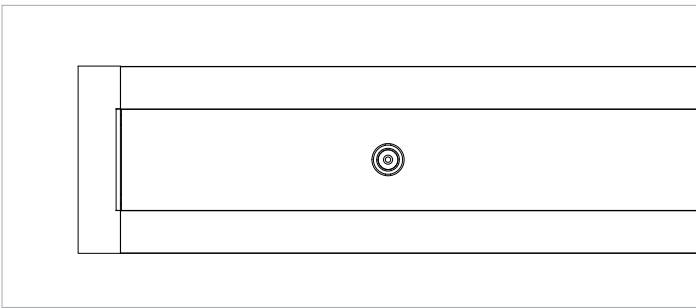
For 8ft fixtures, the 4ft nominal top reflector lengths are not the same. Ensure the top reflector lengths match the optic module lengths for best aesthetics. For multi housing runs, ensure each top reflector is centered within the housing length to ensure proper fit of last top reflector.

! OPTIC REMOVAL



1. Push top reflector upwards to release the magnets. Carefully lower the top reflector until suspended by the safety trap.
2. Disconnect wire harness by pressing locking tab and gently pulling on cable harness.
3. Lift optic module up and inward to remove optic module from housing.

6 EMERGENCY DRIVER CHECK



1. Energize branch circuit
2. Ensure charge indicator light is lit
3. Allow batteries to charge for at least 1 hour for quick test
4. Press test button + confirm luminaire lights after switching to battery power

NOTE:
The batteries must be charged for at least 24 hours before conducting a long-term test

OPERATION

When the circuit is energized, the charging indicator light is illuminated, indicating the batteries are being charged. When power fails, the internal Notch emergency driver automatically switches to emergency battery power, operating the 4 foot section of luminaire at over 1500 lumens output. When the circuit power is restored, the emergency driver returns to charging mode. The emergency driver will operate the Notch luminaire at over 1500 lumens output for a minimum of 90 minutes.

MAINTENANCE

Although no routine maintenance is required to keep the emergency luminaire functional, it should be checked periodically to ensure that it is working. The following schedule is recommended:

1. Visually inspect the charging indicator light monthly. It should be illuminated.
2. Test the emergency operation of the luminaire at 30-day intervals for a minimum of 30 seconds by depressing the test switch. The Notch luminaire should switch to battery operation and illuminate.
3. Conduct a 90-minute discharge test once a year by de-energizing the lighting circuit. The Notch emergency luminaire should be illuminated for a minimum of 90 minutes.

TROUBLE SHOOTING + REPLACEMENT

*** Servicing should be performed by qualified service personnel ***

If the luminaire fails to light during an emergency test, the output fuse or the batteries may need replacing. De-energize both the Constant/Unswitched and Switched circuits.

- Open the luminaire driver enclosure and locate the yellow fuse holder and remove the fuse. Replace the fuse if necessary with a new 2 A, 32 Vdc non-time delay blade fuse.
- Contact Fluxwerx for replacement batteries, NOT Philips Bodine. To replace the batteries, first remove the fuse from the yellow fuse holder, then disconnect the battery cable connections (pull apart) and unscrew the sheet metal bracket. Re-assemble in reverse order. The batteries are Nickel-Cadmium rechargeable batteries and must be recycled or disposed of properly, per local regulations.



IMPORTANT

THIS PRODUCT CONTAINS NICKEL-CADMIUM BATTERIES. BATTERIES MUST BE RECYCLED OR DISPOSED OF PROPERLY