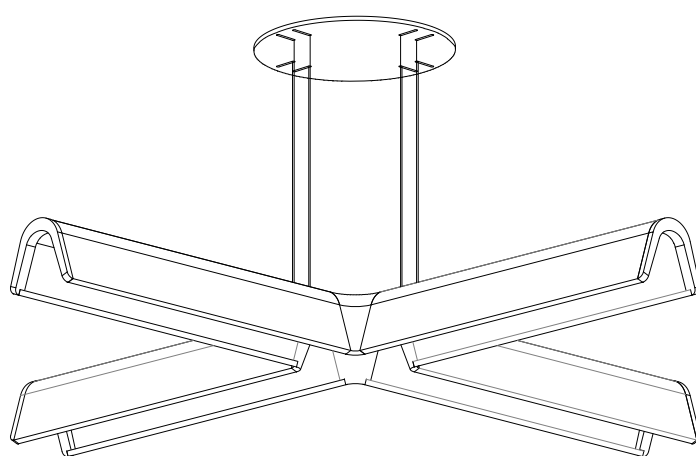
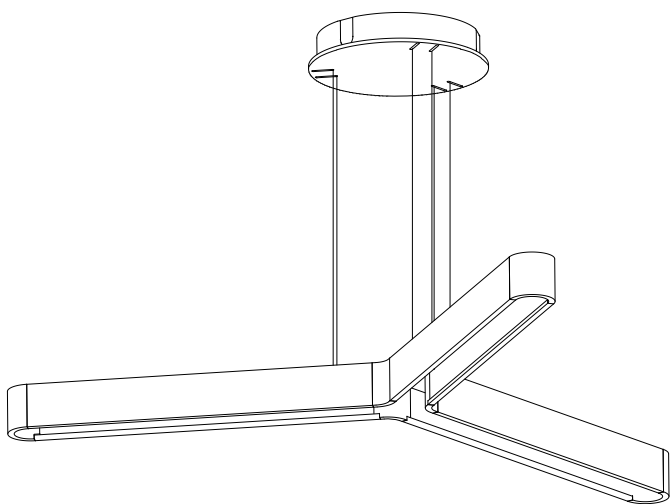


INSTALLATION: SPOKE LED



IMPORTANT

READ BEFORE BEGINNING INSTALLATION:

- **Installation instructions apply to Profile Spoke and Fold Spoke in both 3 Spoke and 4 Spoke configurations**
- Leave the protective bag on the fixture during installation
- All fixtures should be installed in accordance with national and local building and electrical codes.



TOOLS REQUIRED

Tools:

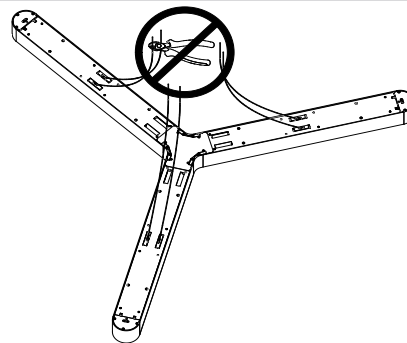
- Level
- Measuring Tool
- Aircraft Cable Cutters
- Phillips Screwdriver

1 INSTALL CEILING DRIVER ENCLOSURE

Refer to Spoke Driver Enclosure Installation Documents

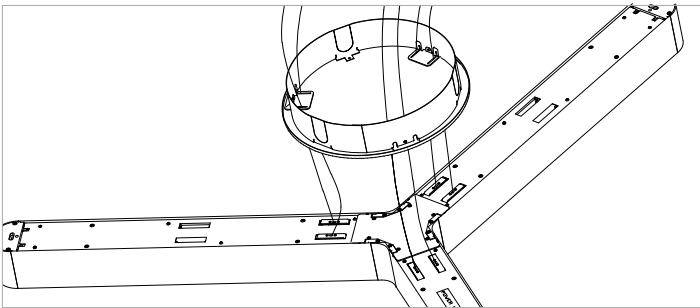
Install ceiling driver enclosure per appropriate ceiling type installation instructions.

2 LEAVE AIRCRAFT CABLE FULL LENGTH



1. IMPORTANT: Do NOT trim or cut the aircraft suspension cable prior to install
2. The factory trimmed aircraft cable ends are required for insertion of the cable into the ceiling suspension components.

3 ROUTE CABLES THROUGH CANOPY

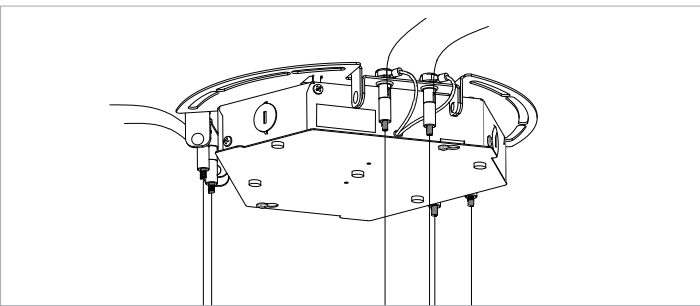


1. Route un-cut suspension cables through canopy.
2. Place canopy on Spoke fixture hub.

NOTE:

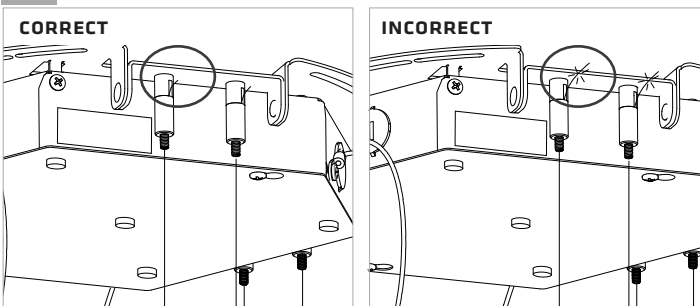
For 4 Spoke structure mount with surface conduit, confirm canopy orientation with canopy knockout and fixture power legs to ensure matching orientation.

5 SUSPEND LUMINAIRE



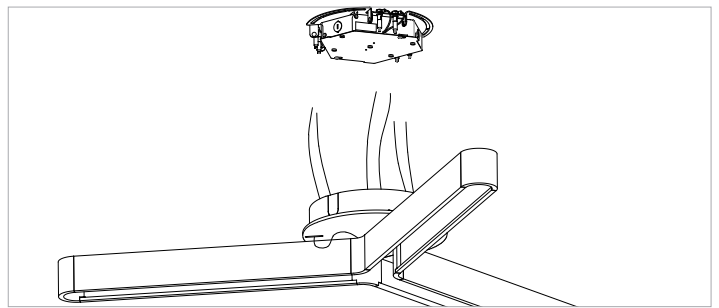
1. Raise Spoke into position. Use caution not to drop the canopy.
2. Feed suspension cables into grippers until desired fixture height is reached.
3. Do not cut the cables.

7 CUT EXCESS SUSPENSION CABLES



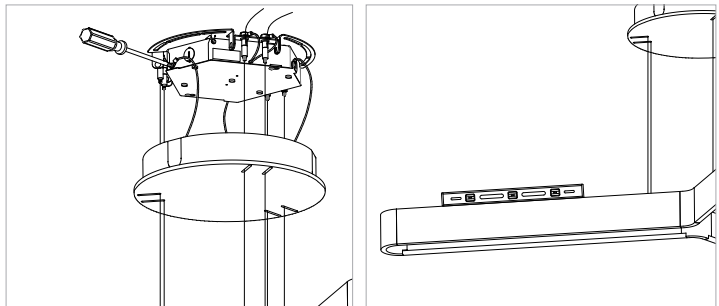
1. Cut excess suspension cables using cable cutters.
2. Ensure cable tail is not touching other metals. This will short the driver output.

4 ORIENT LUMINAIRE TO POWERED CONNECTIONS



1. Note which cables are powered by checking label on Spoke fixture leg.
2. Orient Spoke fixture so powered cables align with powered cable grippers (see label on ceiling kit).

6 SUSPEND CANOPY + LEVEL LUMINAIRE

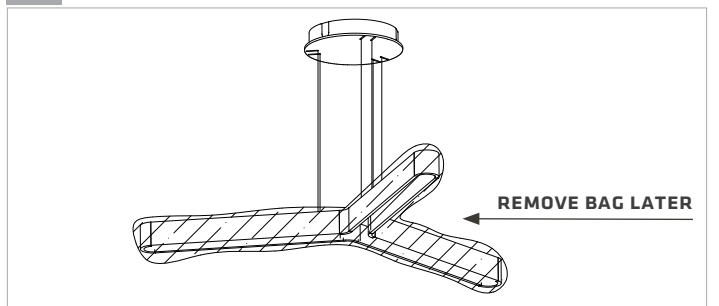


1. Attach canopy grounding straps using supplied screw. Ensure grounding straps do not interfere with canopy once clicked into place.
2. Level the Spoke fixture by adjusting the aircraft cable in each gripper.

NOTE:

1. Ensure both cables of each pair are taut.
2. If kinks are observed in the conductive cables, they can be manually straightened.

8 ENERGIZE LUMINAIRE



1. Raise magnetic canopy into position
2. Energize fixture circuit
3. Leave the protective bag on the fixtures until construction and furniture installation are complete.
4. Fixture can be operated as normal with the bag on.
5. Tear bag at perforation, do not use knives or tools.