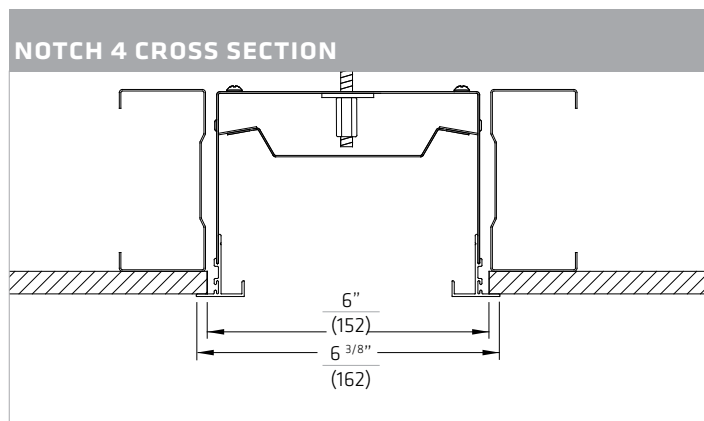
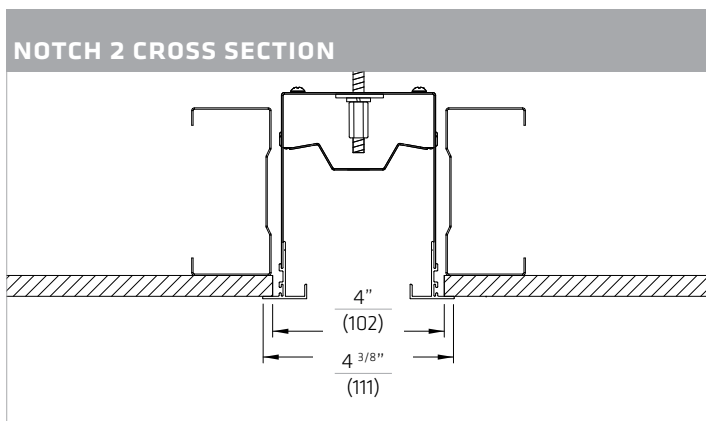
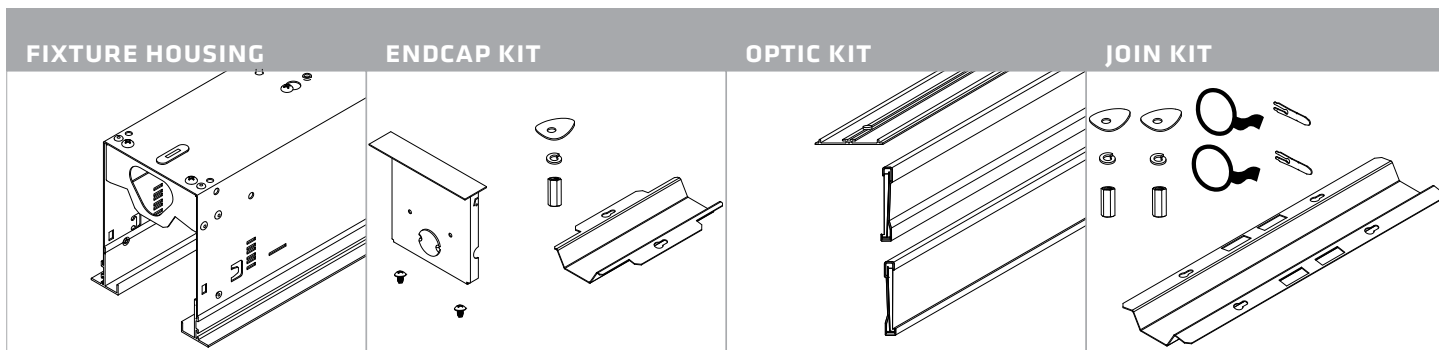


INSTALLATION: D1-NOTCH DRYWALL TRIM FLANGE



inches  
(mm)

**IMPORTANT**

READ BEFORE BEGINNING INSTALLATION:

- **Do not** join fixture lengths together on the floor and lift into place. This introduces significant forces on the joins and will damage the fixtures.
- All fixtures should be installed in accordance with national and local building and electrical codes.
- Do not install internal optical modules prior to installing housing in ceiling.
- Do not remove green housing spacers until the housing is installed in the ceiling.

**TOOLS REQUIRED**

**Tools:**

- #2 - Phillips Screwdriver
- Flat Blade Screwdriver
- Drywall Cutting Tool
- Pliers
- Mallet

**Materials:**

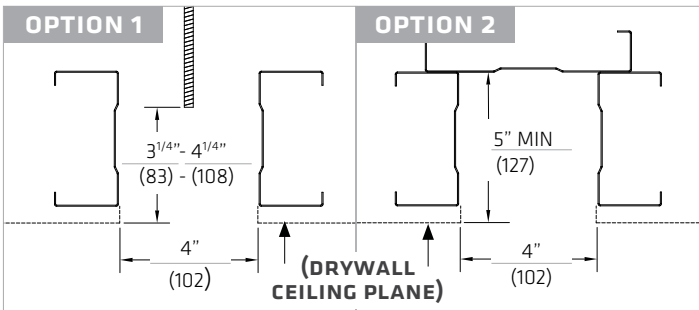
- 1/4 - 20 Threaded Rod or 1/4" Lag Bolts

### CEILING PREPARATION

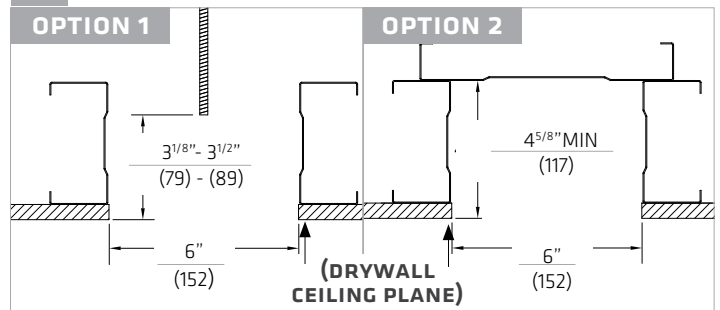
#### 1 DETERMINE ROW LAYOUT

Refer to row configuration document. Plan fixture housing positions per the row configuration document.

#### 2 NOTCH 2: PEPARING CEILING

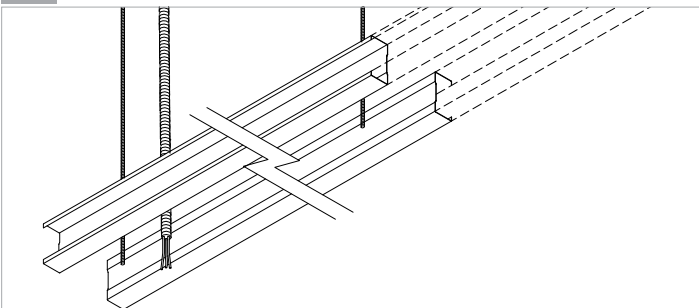


#### 2 NOTCH 4: PEPARING CEILING



1. Frame channel - per row configuration doc.
2. Prepare suspension:
  - **OPTION 1:** 1/4-20 threaded rod secured to ceiling structure, positioned per row configurator doc.
  - **OPTION 2:** Install structural backing in same locations noted for 1/4-20 rod.
3. The straightness and accuracy of the cutout is critical in ensuring proper fixture fit and aesthetics to ceiling. Installer to use appropriate methods to frame channels accurately.

#### 3 INSTALL POWER DROP

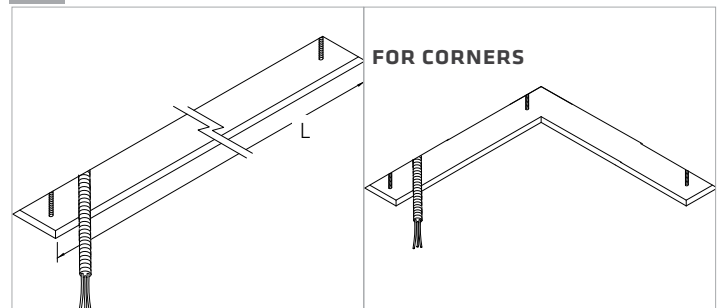


Identify and install power drop location(s) allowing enough length that the end drops a minimum 12" below the ceiling plane.

NOTE:

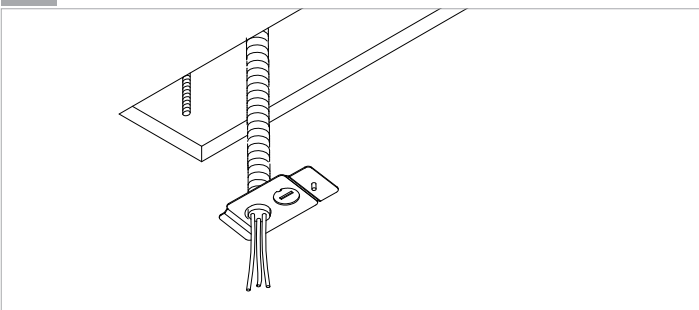
1. Multi-housing row can be powered from only one housing.
2. Fixture through wiring is 14 AWG. Calculate maximum row length per fixture watts per foot and local and national building codes.
3. Wire dimming control wires as Class 1.

#### 4 INSTALL DRYWALL CEILING + CUT OPENING



1. Determine cutout dimensions for fixture run by referencing the row configuration document. Drywall backing at the ends of row are not required.
2. Each corner installation requires 3 mounting rods or lag bolts.

#### 5 ATTACH POWER ACCESS PLATE



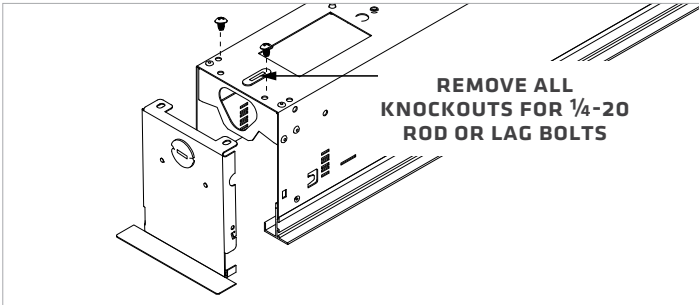
Connect the armored cable to the power access plate.

NOTE:

Alternate housing end knockout can be used for power entry.

### HOUSING INSTALLATION

#### 6A INSTALL ENDCAPS

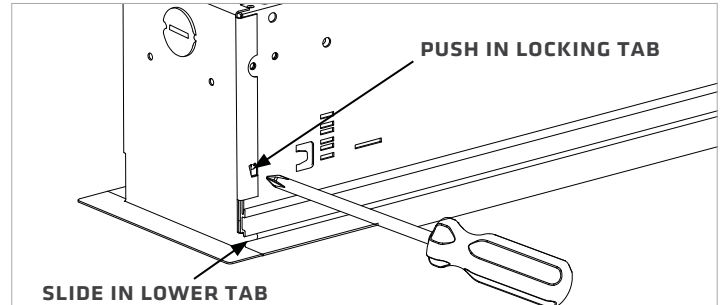


1. Install endcaps with supplied fasteners on fixtures.
2. Remove knockouts using flat blade screwdriver.

**NOTE:**

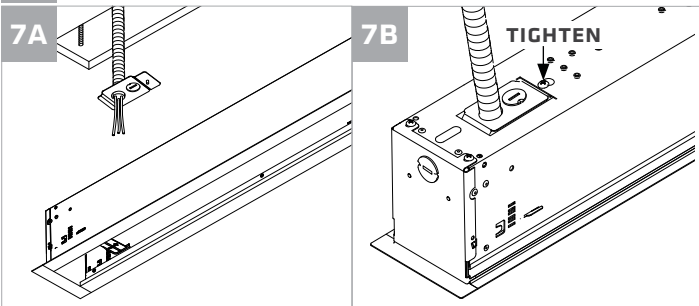
Standalone fixtures require 2 endcaps, start-of-run (and end-of-run) fixtures require 1 endcap and mid-run fixtures require no endcaps.

#### 6B BEND ENDCAP TABS



1. Bend lower tabs (both sides) and insert into alignment channel.
2. Push-in locking endcap tab (both sides) using a Phillips screwdriver.

#### 7 RAISE FIXTURE INTO POSITION

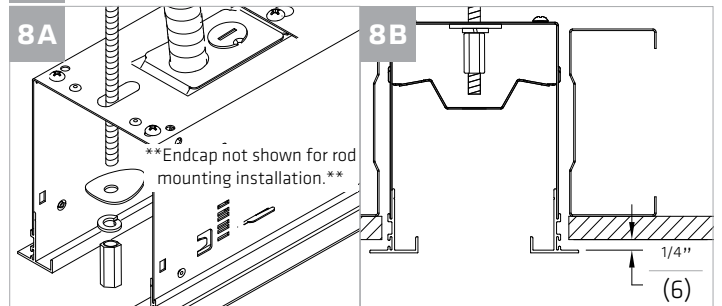


1. Safely raise the fixture into position below the ceiling plane.
2. Connect the power access plate to fixture housing and tighten using supplied screw.

**NOTE:**

Do not complete any electrical connections yet.

#### 8 ATTACH TO THREADED RODS

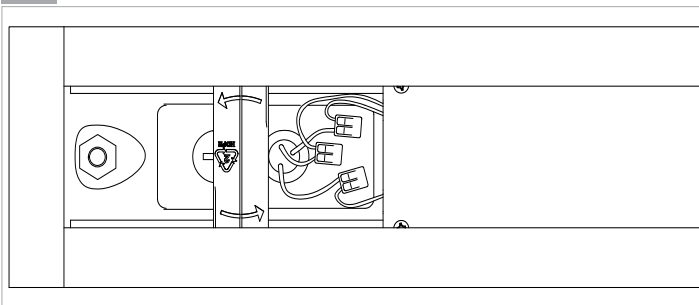


1. Continue raising the fixture into the ceiling and feed threaded rods through housing. Install supplied washers and hand tighten 1/4-20 nuts (or partially install Lag bolts).
2. Set fixture height to approx. 1/4" below ceiling plane.

**NOTE:**

Nuts and washers supplied in joiner and endcap kits.

#### 9 COMPLETE ELECTRICAL CONNECTIONS

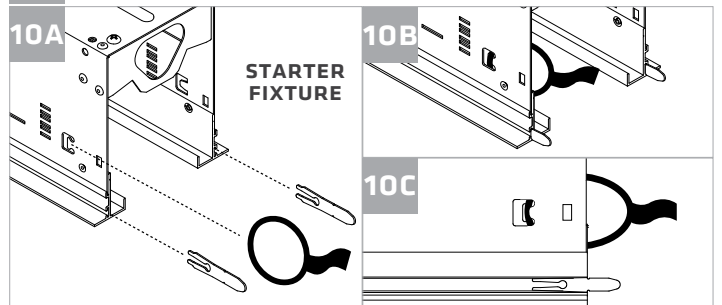


Complete all electrical connections using supplied quick connects. **FOR STAND-ALONE FIXTURES SKIP TO STEP 13.**

**NOTE:**

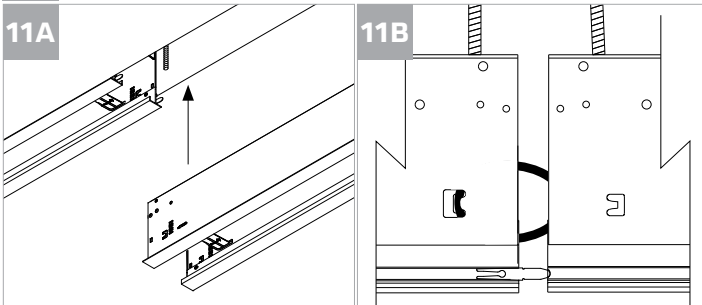
1. Wire dimming control wires as Class1.
2. Do not energize the circuit until both the housing and optic module installation is complete.

#### 10 PREPARE FIXTURES FOR JOINING



1. Gently tap-in pins into starter fixture up to mid-mark using a mallet, per the orientation shown.
2. Hook one O-ring into starter fixture slot as shown.
3. Prepare joining fixture by installing
  - Endcaps (if required, step 6)
  - One O-ring

### 11 RAISE JOINING FIXTURE

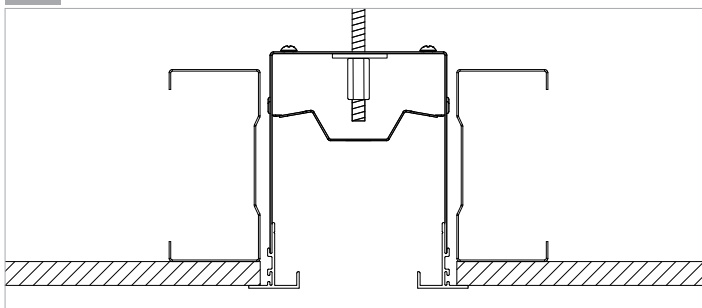


1. Safely raise joiner fixture into ceiling.
2. Feed both threaded rods through housing.
3. Install supplied washers and 1/4-20 nuts (or partially install Lag bolts)
4. Set fixture height to match starter fixture.

**NOTE:**

For the final corner installation of closed patterns, pins may need to be inserted deeper into the fixture, past the pin mid point.

### 13 RAISE FIXTURE ROW TO FINAL HEIGHT

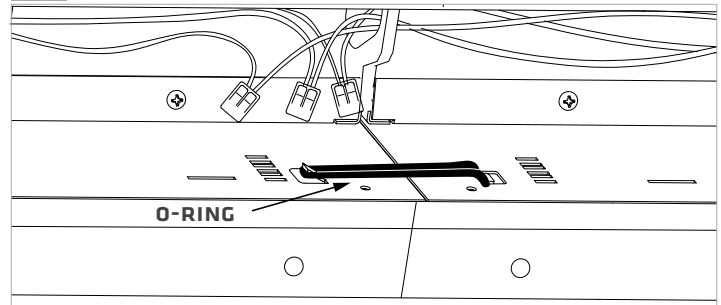


Using hand tools tighten 1/4-20 nuts evenly until fixture row is raised to ceiling level (or Lag bolts if applicable).

**NOTE:**

1. Use caution not to over-stress the joins.
2. Do not overtighten nuts.
3. Check fixture run for straightness and aesthetics.
4. Position the washer to cover/seal the obround opening

### 12 JOIN FIXTURES

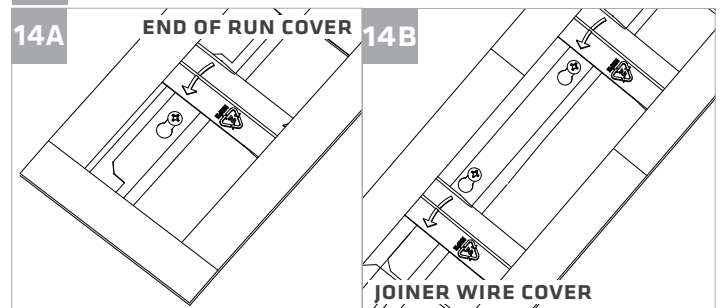


1. Slide joiner fixture onto alignment pins of starter fixture.
2. Hook O-ring onto other fixture to pull them together.
3. Repeat O-ring install on opposite side.
4. Pull wires through joiner plate and make all electrical connections using supplied wire nuts.
5. Install additional joining fixtures to complete row as required.

**NOTE:**

For dimming control wires, a jumper harness is supplied in the join kit.

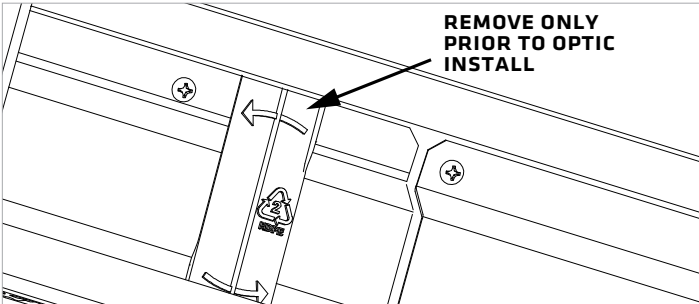
### 14 INSTALL WIRE COVERS



1. Install wire cover and shift into position.
2. Ensure cover is flush with adjacent driver cover.
3. Adjust joint/run straightness if necessary.
4. Tighten supplied screws.

### OPTIC INSTALLATION

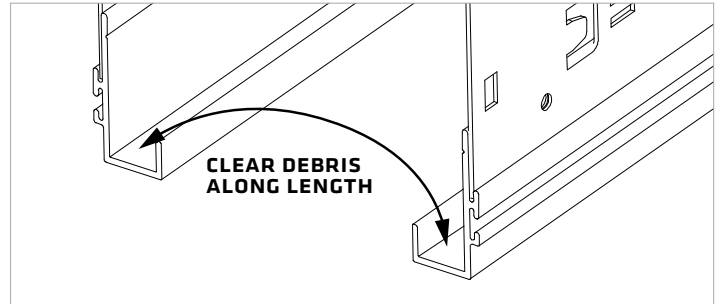
#### 1 REMOVE GREEN CHANNEL SPACERS



Rotate and remove all green channel spacers once housing installation is completed.

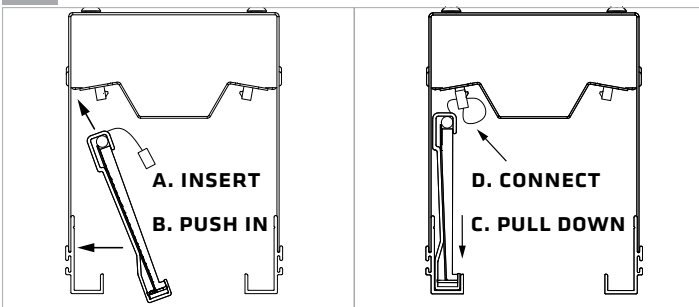
Do not remove prior to optic installation.

#### 2 CLEAN EXTRUSION RAILS



Ensure inner extrusion rails are clean and free of construction debris. Any debris will prevent the optic from installing properly

#### 3A INSTALL OPTICS

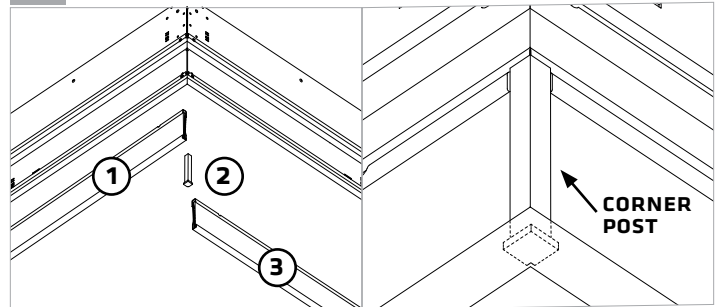


1. Insert the optic into the fixture housing as shown.
2. Ensure the optic is fully seated in the extrusion rail.
3. Connect the low-voltage wire harness for each optic, and tuck wires into recess.
4. Repeat for other side.

**NOTE:**

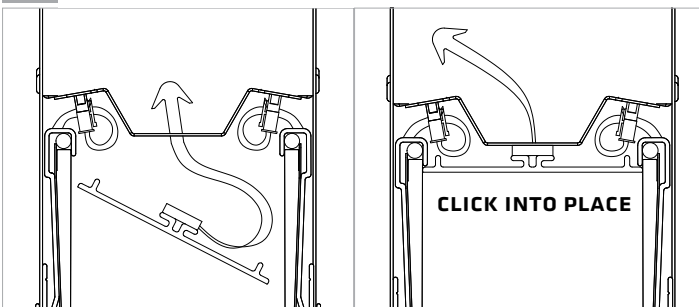
For 8ft fixtures, the 4ft nominal optic module lengths are not the same. Install the same length pairs at each fixture end for best aesthetics.

#### 3B INSTALL OPTICS FOR CORNER



1. Install first inner optic
2. Install corner post
3. Install final inner optic
4. Install both outer optics

#### 4 INSTALL MAGNETIC TOP REFLECTOR + APPLY POWER

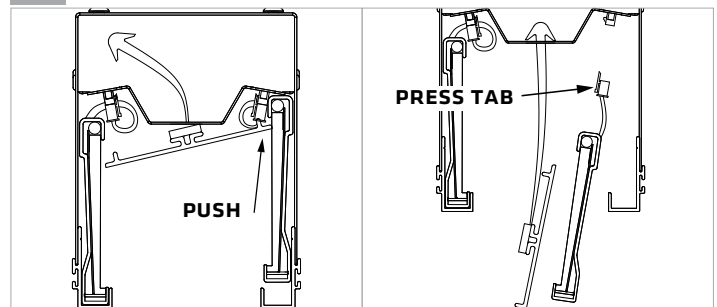


1. Insert safety strap hook through driver cover slot.
2. Position magnetic top reflector in place.
3. Apply power to the circuit(s).

**NOTE:**

For 8ft fixtures, the 4ft nominal top reflector lengths are not the same. Ensure the top reflector lengths match the optic module lengths for best aesthetics. For multi housing runs, ensure each top reflector is centered within the housing length to ensure proper fit of last top reflector.

#### ! OPTIC REMOVAL



1. Push top reflector upwards to release the magnets. Carefully lower the top reflector until suspended by the safety trap.
2. Disconnect wire harness by pressing locking tab and gently pulling on cable harness.
3. Lift optic module up and inward to remove optic module from housing.