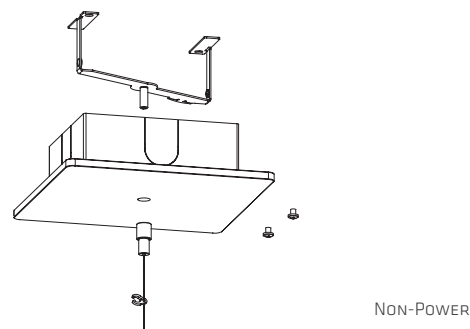
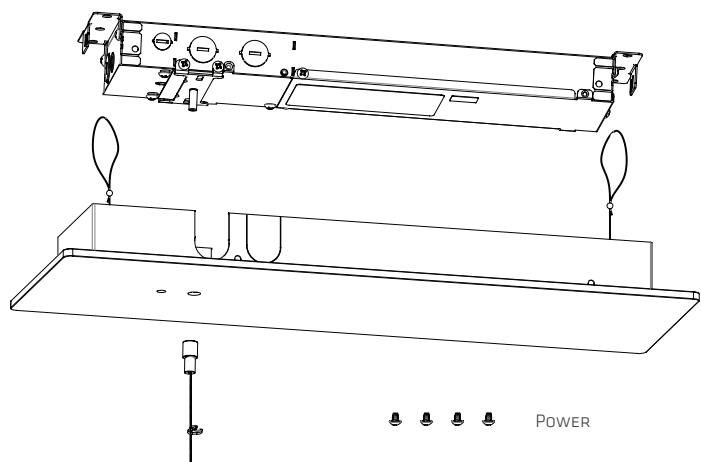


INSTALLATION: DRIVER ENCLOSURE

Ceiling Type Structure Ceiling - Structure Mount

Version Ceiling Power



TOOLS + MATERIALS REQUIRED

Tools:

- Ceiling Anchor Tools
- Laser Line Tools
- Measuring Tools
- Lineman Pliers
- Conduit + Wiring Tools
- Philips Screwdriver

Materials:

- Ceiling Anchors

IMPORTANT

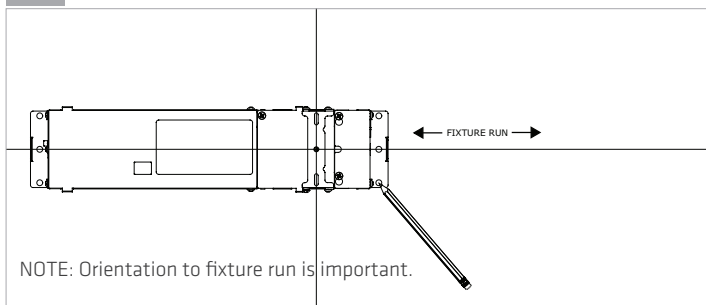
All fixtures should be installed in accordance with national and local building and electrical codes.

1 DETERMINE SUSPENSION POINT LOCATIONS

Refer to Row Configuration Document

Layout the luminaire suspension point locations and create a center line along the luminaire run using a laser or chalk line. Luminaire suspension points are 48" or 96" apart, depending on the luminaire. For a continuous run luminaire, note the location of the "non-power" suspension point (one point in from one of the ends).

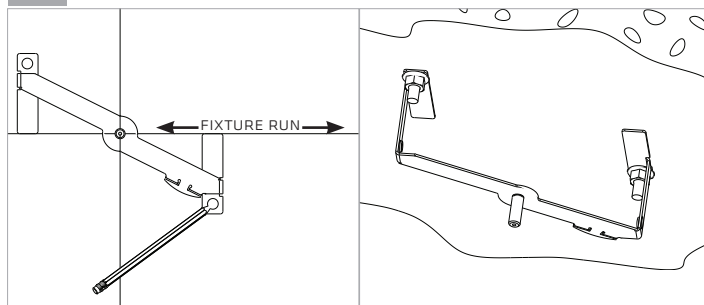
2A MARK MOUNTING HOLES



NOTE: Orientation to fixture run is important.

Mark the mounting holes while holding the driver enclosure along the center line and positioning the suspension stud at desired location.

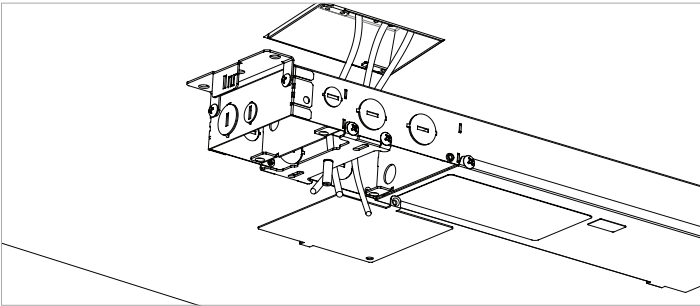
2B INSTALL NON-POWER MOUNT BRACKET



1. Using the ceiling center line, align the non-power bracket and mark the mounting holes.
2. Mount the bracket to the ceiling using 1/4-20 anchors or appropriate screws (supplied by others).

Skip to step #8B for non-power suspension points.

3 REMOVE CAVITY LID



Remove the line voltage cavity lid.

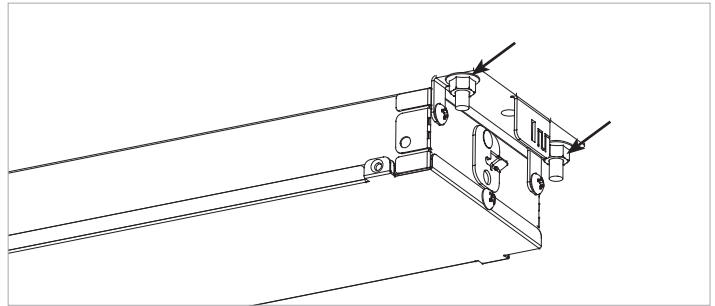
For RECESSED junction boxes ONLY:

1. Break the rear knockout and feed source line voltage wires in driver box "line voltage cavity".
2. Connect line voltage wires to driver wires.

NOTE: For Dimming Control Wiring:

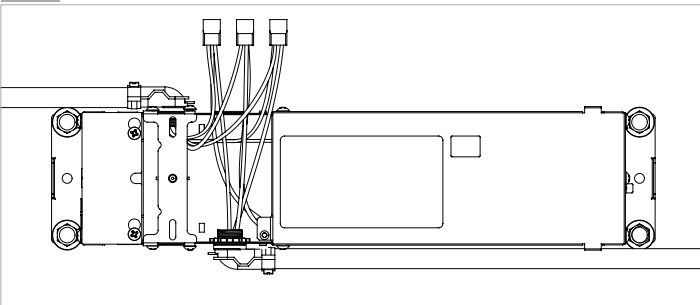
1. Follow product label indicating whether dimming wiring is Class1 or Class2, Class1 Only, or Class2 Only.
2. Wire recessed J-box dimming control wires as Class1 with the line voltage wires or in separate conduit.

4 MOUNT DRIVER ENCLOSURE



Mount driver enclosure to the ceiling using 1/4-20 anchors or appropriate screws (supplied by others).

5A WIRING: STRUCTURE J-BOX



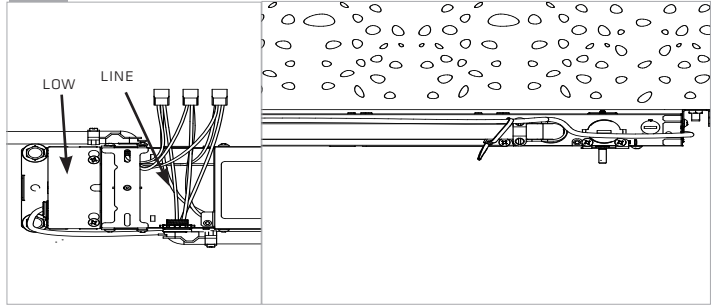
For STRUCTURE Junction Box + Conduit only:

Wire the source line voltage to driver box "line voltage cavity" from either side and connect wires to driver wiring.

NOTES:

1. The driver enclosure can be used as a junction box to daisy chain source line voltage wiring to the next luminaire.
2. Follow product label indicating whether dimming wiring is Class1 or Class2, Class1 Only, or Class2 Only.
3. For Class1 dimming control wiring, make connections in Line Voltage Cavity and wire field dimming wires with the line voltage wires or in separate conduit.

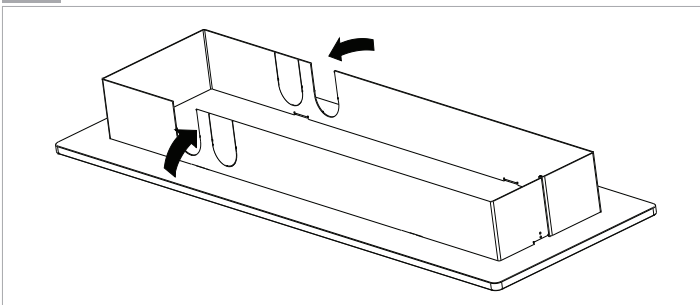
5B OPTIONAL CLASS 2 DIMMING WIRES



NOTE For Dimming Control Wiring:

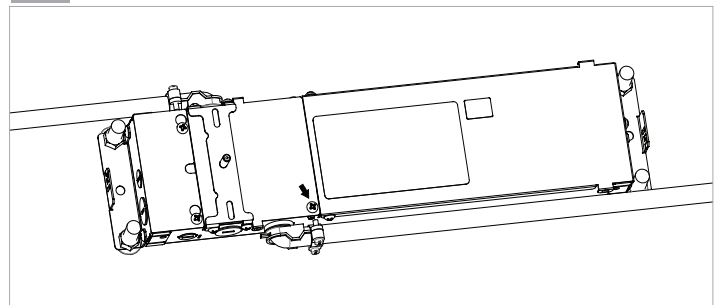
1. For Class2 dimming control wiring, route the driver dimming wires through the barrier hole to the Low Voltage Cavity and make connections to field Class2 dimming wires in the Low Voltage Cavity.
2. Use the end knock-out in the Low Voltage Cavity for the field Class2 dimming wires.
3. Neatly pull the field Class2 wires around the end of the enclosure and zip tie to the structure side of the Line Voltage conduit so the wires can exit the canopy shroud cleanly.

6 REMOVE CANOPY TABS



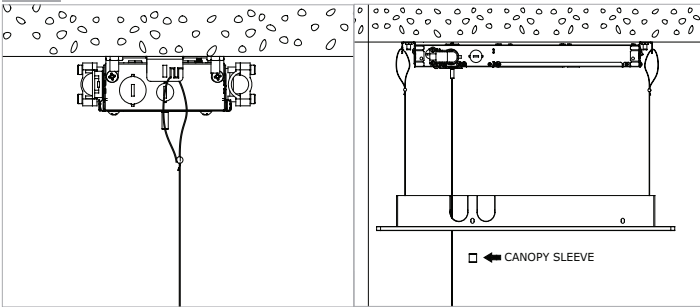
Break out the appropriate tabs of the ceiling canopy shroud for the conduit.

7 RE-INSTALL WIRING LID



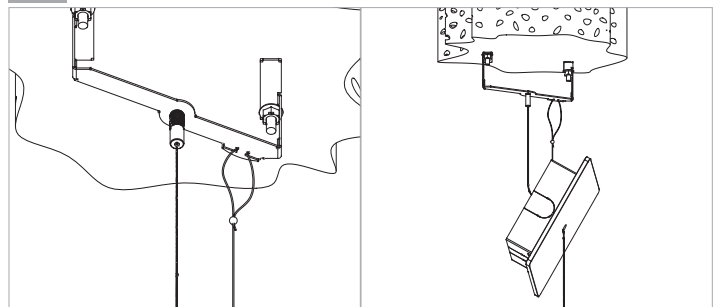
Re-install the wiring lid.

8A INSTALL CEILING CANOPY + AIRCRAFT CABLE



1. Hang the ceiling canopy on the driver enclosure brackets using supplied aircraft cables.
2. Remove outer threaded sleeve, install aircraft cable and feed through canopy.

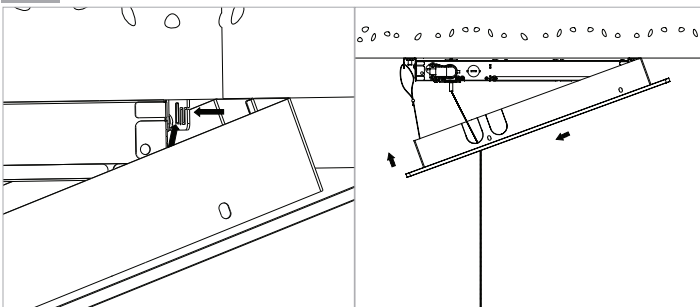
8B INSTALL CEILING CANOPY + CABLE (NON-POWER)



For NON-POWER locations only:

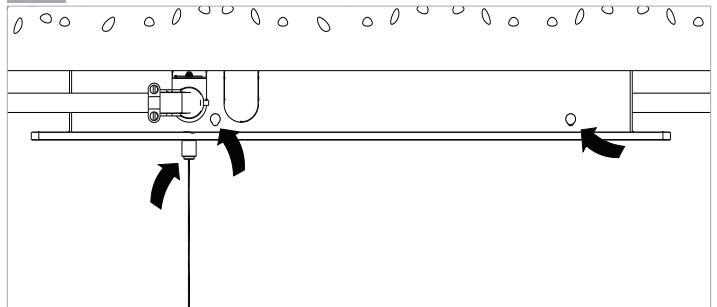
1. Hang the ceiling canopy on the brackets using supplied aircraft cables.
2. Remove outer threaded sleeve, install aircraft cable and feed through canopy.

9A1 INSTALL CEILING CANOPY



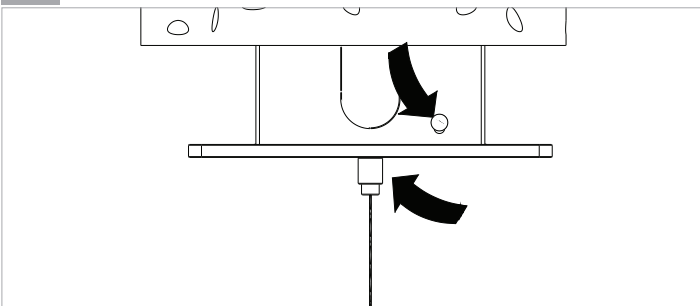
Clip far end of canopy into the mount bracket and pivot canopy in place.

9A2 INSTALL CEILING CANOPY (CONTINUED)



1. Thread sleeve into suspension stud.
2. Screw canopy shroud to driver enclosure (4 locations) with supplied screws.

9B INSTALL CEILING CANOPY (NON-POWER)



For NON-POWER locations only:

1. Thread sleeve into suspension stud.
2. Screw canopy shroud to bracket (2 locations) with supplied screws.