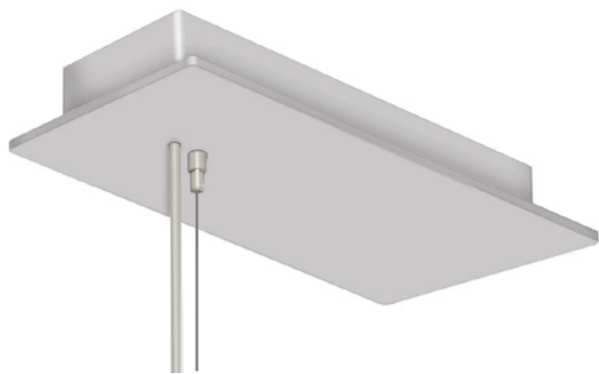




Ceiling	(S) STRUCTURE INTEGRATED MOUNTING	Type
Project		
Product		
Notes		

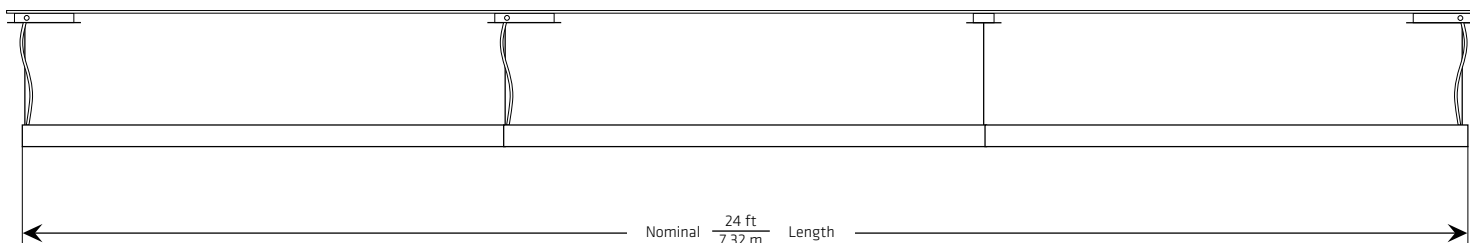


Power Feed Canopy



Suspension Canopy

Installation Example



FEATURES

- Integrated driver, suspension and power feed location
- Remote BP driver can be surface mounted to walls or ceilings
- Low profile design for 120V-277 V, 347V, or BP
- For ceiling conditions with surface conduit or recessed J-boxes
- Drivers and architectural canopies can be installed in advance
- Powdercoat sheet metal architectural canopies; no visible fasteners
- Multiple orientations for easy installation and maintenance
- Self-retained architectural canopies with safety cable
- Integral barriered driver enclosure for line and low voltages
- Prewired driver with integral junction boxes
- Supplied with all pushwire and twistwire electrical connectors
- Multiple 1/2" trade knockouts for conduit; rigid or flexible
-

Some driver options have limited compatibility with certain product wiring and mounting type selections. Consult factory for details.

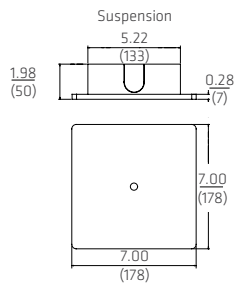
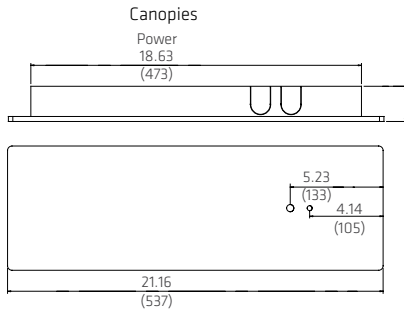
CONSTRUCTION

- Frame and driver enclosure formed in 20 gauge CRS; satin coat
- Canopy stamped in 22 gauge steel; white powdercoat
- 1/32" (0.8 mm) stainless steel aircraft cable; factory crimped
- 2 or 4 conductor #20 stranded LV powercord; silvered, clear jacket
- Prewired driver, #18 gauge solid; pushwire and twistwire connectors

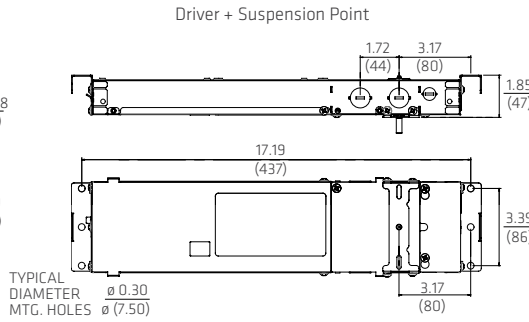
APPROVALS

- Certified by UL for dry or damp location installation in US and Canada

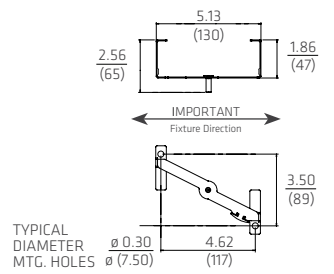
120/277/347 version DIMENSIONS inches (mm)



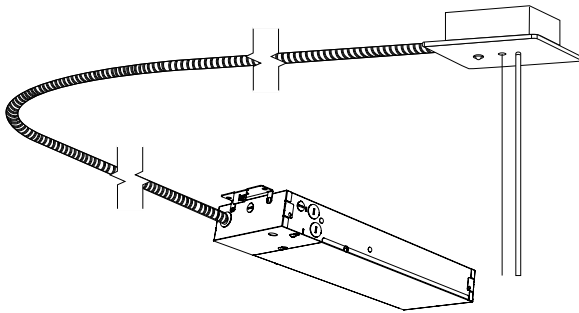
Anchor Locations



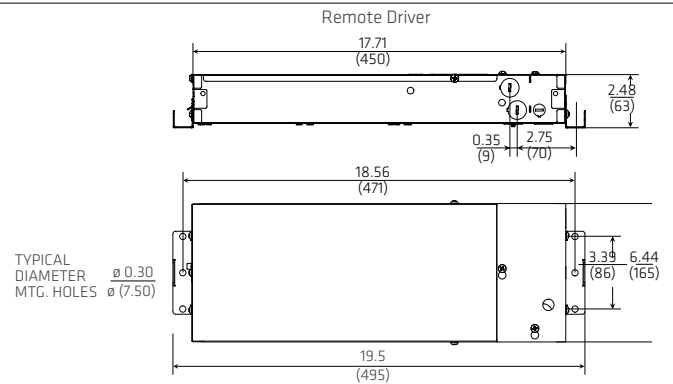
Non Power Suspension Mounting Bracket



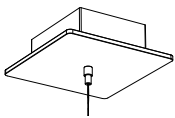
Battery Pack Option (120/277 only)



Anchor Locations



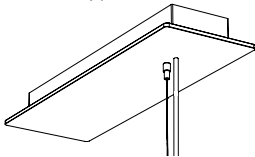
Suspension Canopy



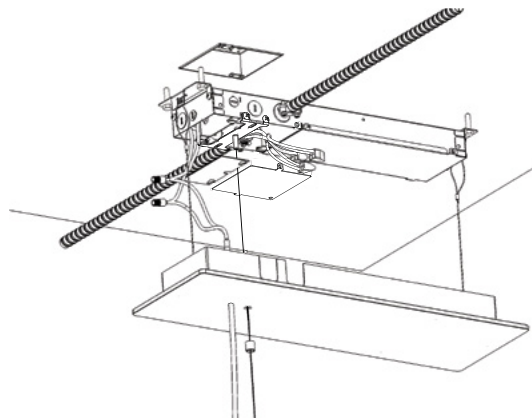
Suspension Canopy Mounting Bracket



Power Canopy



Installation Wiring Details



Line Voltage Wiring (Driver to Panel)

- Additional 1/2" trade knockout at rear driver for installation with recessed jboxes
- Recessed jbox or conduit and wiring to/from panel; supplied and installed by others
- Pushwire connectors supplied by Fluxwerx; connected by others
- Appropriate fasteners for attachment to building structure supplied and installed by others
- Integral safety restraint aircraft cable

Low Voltage Wiring (Driver to Fixture)

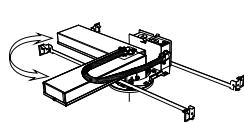
- Twistwire connectors supplied by Fluxwerx; connected by others
- LV powercord preinstalled on fixture by Fluxwerx
- Canopy safety retention ring included

Alternative Mounting Options

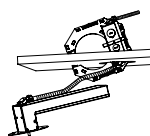
(D) Drywall Integrated

New or Retrofit

Integrated driver, power feed and mounting suspension points suitable for GWB or plaster thicknesses of < 0.875" (22 mm)



Perpendicular or Parallel



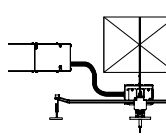
Retrofit Method

- 120-277V
- 347V
- Battery Pack
- 0-10V Dim
- Lutron
- eidoLED

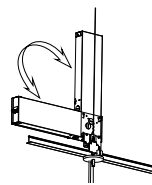
(G) Grid Integrated

ON or OFF Grid

Integrated clip, driver, power feed and mounting suspension points suitable for accessible ceiling grid heights of < 1.75" (44 mm)



Detached Installation Method



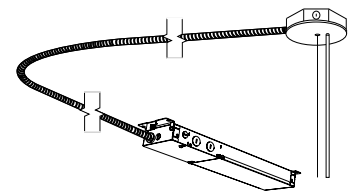
Horizontal or Vertical

- 120-277V
- 347V
- Battery Pack
- 0-10V Dim
- Lutron
- eidoLED

(R) Remote

Hard Lid Ceilings

External remote mounted driver. Power feed and suspension points suitable for exposed conduit or recessed junction boxes



- 120-277V
- 347V
- Battery Pack
- 0-10V Dim
- Lutron
- eidoLED

Recommended Wire Gauge for Minimal Losses (AWG)

30ft. | 18 ga. 50ft. | 14 ga. 80ft. | 12 ga.