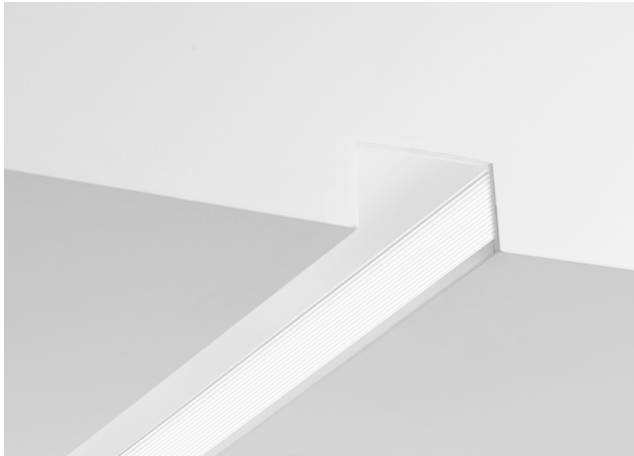




NOTCH 4 - NF1-B Specification Data

Luminaire	NOTCH 4 - Area 100 Dn Symmetric (NF1-B)	Type
Project		
Product		
Notes		



D2 - Drywall Trimless shown with (E) Dado Endcap option

Performance Summary	NF1-B Area 100 Dn Symmetric			
	A	B	C	D
Light (lm/ft)	450	550	650	850
Energy (W/ft)	5.00	6.00	7.25	9.50
Efficacy (lm/W)	94	94	92	91
Color Rendering (CRI)	80+	80+	80+	80+
Color Accuracy (SDCM)	< 2	< 2	< 2	< 2
L70 Estimate (h)	200,000	200,000	200,000	200,000
Lumen Maintenance per TM21 (@ 60,000 h)	L90	L90	L90	L90

Summary values are nominal and based on 4000K CCT



D1 - Drywall Trim Flange D2 - Drywall Trimless D3 - Drywall Drop Radius D4 - Drywall Drop Square G1 - 9/16" Grid Flat T G1 - 15/16" Grid Flat T G1 - 9/16" Tegular | Slot Grid

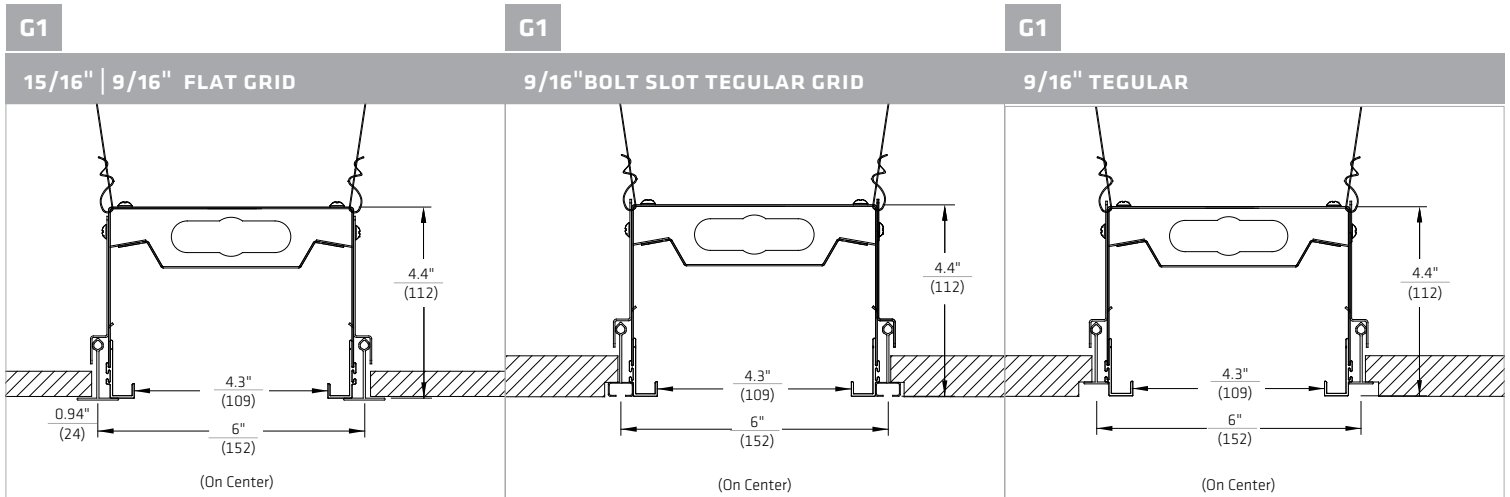
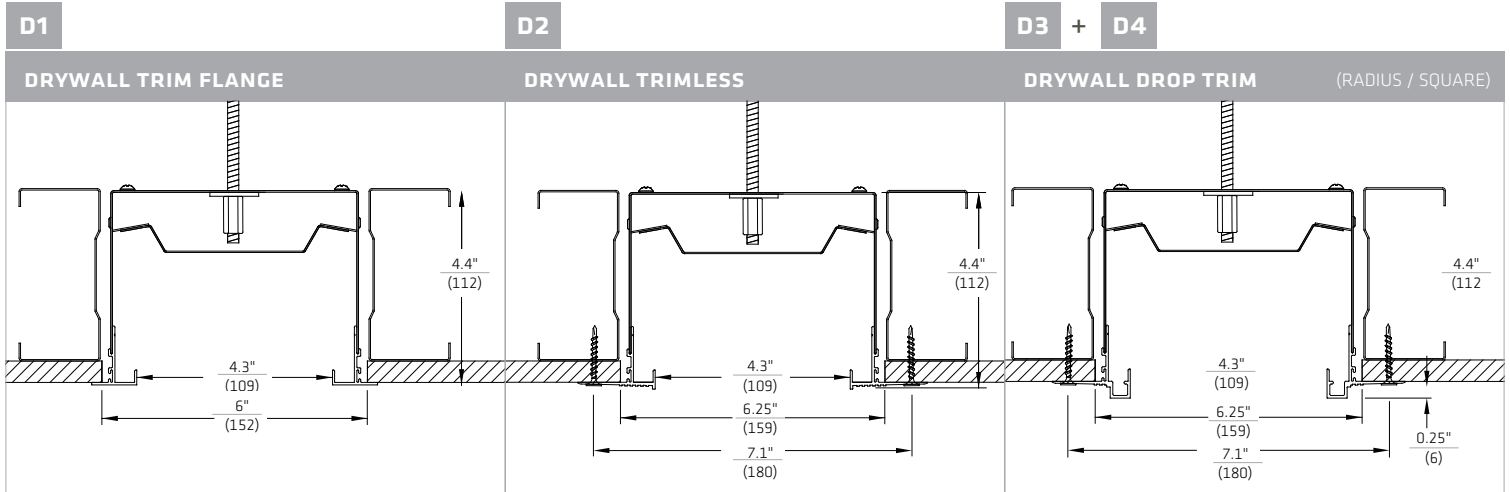
NOTE: Use **G1** for 6" Armstrong TechZone® or 6" USG Logix®

NF1	B									OPTIONS					
1	2	3	4	5	6	7	8	9							

1. FAMILY	2. VERSION	3. TRIM /CEILING	4. DISTRIBUTION	5. LIGHT + ENERGY ¹	6. CCT
NF1 Area 100 Dn 4.3 aperture	L Linear Row Px Pattern P0 Square P1 Rectangle P2 2-rows 1-corner P3 3-rows 2-corner P4 4-rows 3-corner P5 5-rows 4-corner	D1 Drywall - Trim Flange D2 Drywall - Trimless D3 Drywall - Drop Radius D4 Drywall - Drop Square G1 Grid - 9/16" or 15/16" Flat-T G1 9/16" Tegular or Bolt-Slot G1 4" Armstrong TechZone® or 4" USG Logix®	B Symmetric	A 450 lm + 5w/ft B 550 lm + 6w/ft C 650 lm + 7.25w/ft D 850 lm + 9.5w/ft	30 3000 K 35 3500 K 40 4000 K
7. DRIVER	8. VOLTAGE	9. LENGTH ³	OPTIONS		
E1 eldoLED ECO 0-10V Dim 1% E2 eldoLED SOLO 0-10V Dim 0.1% E3 eldoLED ECO DALI 1% E4 eldoLED SOLO DALI Dim 0.1% F1 Factory Non- Dim F2 Factory 0-10V Dim 3% L1 Lutron Hi-Lume 1%-H EcoSystem	M 120 - 277 V 3 347 V ²	XX Drywall - Specify 1ft Increments XX Grid - Specify 2ft Increments LC 2ft x 2ft Corner	A Alternate Wiring (AV) B Battery Pack ⁴ C Chicago Plenum E Dado Endcap ⁵ F 6' Flex Whip (Standalone Only) K Black Trim and Endcap M EM or NL (2nd neutral) T Throughwire Circuit U Throughwire (w / neutral)		

NOTES				
¹ Add 1w/ft for 347V with E1-4/L1	² 347V Driver for F1/F2 347V Transformer & Driver for E1-4/L1	³ Minimum length is 2 feet	⁴ Available for 120-277V in 4 or 8 foot	⁵ Available with D2 trim option. Default option is to install in one end only. Call factory for options.

DIMENSIONS inches (mm)



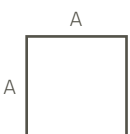
Grid **(G1)** is compatible with 6" Armstrong TechZone® and 6" USG Logix® Ceiling Systems

PATTERNS

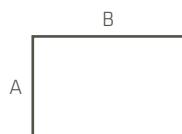
For patterns, design your own layout using the trim and corner options available or choose from our patterns for simpler specification.

NOTE: Minimum corner to corner length - 4ft in drywall (4' x 4' square) | 6ft in grid (6' x 6' square)

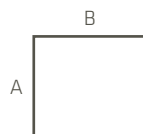
P0 - SQUARE



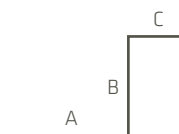
P1 - RECTANGLE



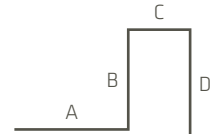
P2 - 2 SIDES | 1 CORNER



P3 - 3 SIDES | 2 CORNER



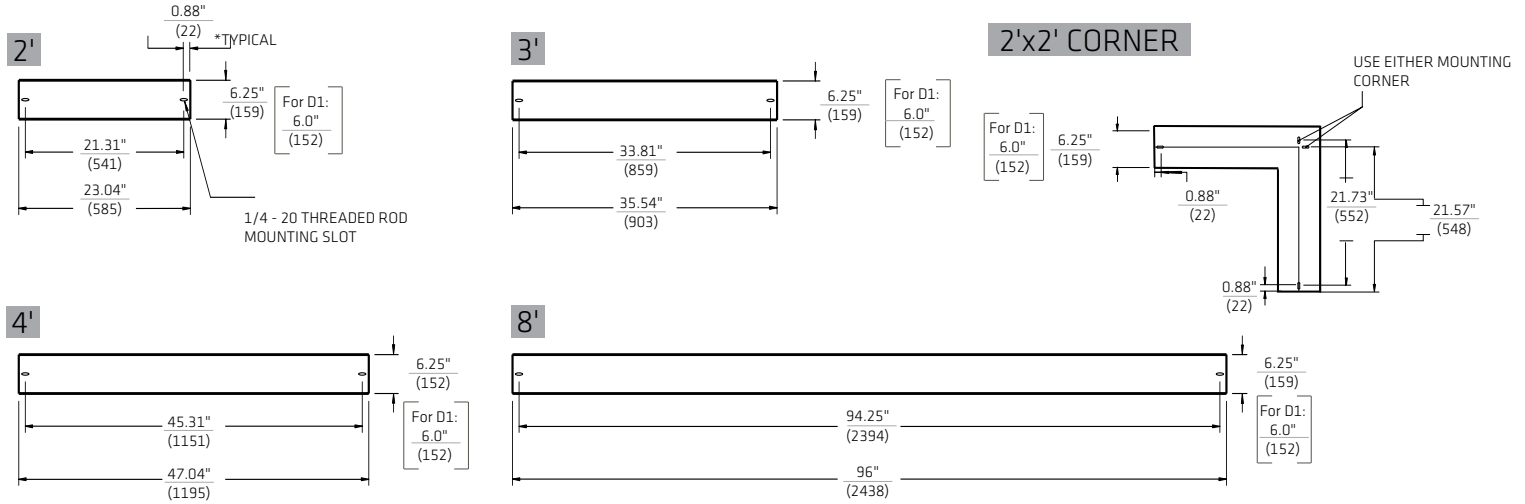
P4 - 4 SIDES | 3 CORNER



DRYWALL CUT OUT DIMENSIONS

inches
(mm)

Continuous rows are available in nominal 1' increment in drywall ceilings and in 2' increments on-grid for T-bar ceilings. Standalone fixtures are available in nominal 2', 3', 4' or 8' sizes.



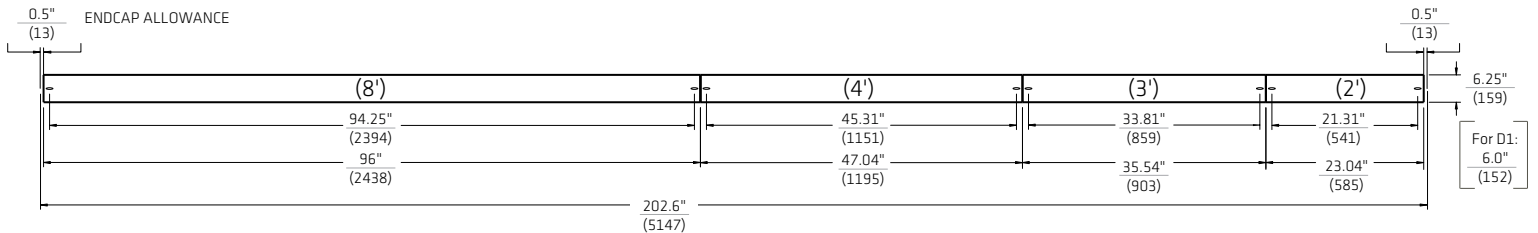
ENDCAP ALLOWANCE

For overall ceiling cut-out length, add an endcap allowance to each end of a straight run, or final leg of an open pattern: 1/2" for standard end (D1-D4), 3/16" for Dado endcap. DO NOT add this allowance for closed patterns or corner legs in an open pattern. Instead, use centerline dimensions and cutout width to determine the opening.

INSTALLATION NOTES:

- Cutout dimensions apply to all drywall trim options.
- A minimum depth of 4.75" above ceiling plane is required.
- Ensure 1/4 -20 threaded rod length is cut between 3.125" - 3.75" above finished ceiling plane
- 2 threaded rods required for each linear housing (3 for corner housing)

Example of a drywall cutout for a 17' run



OPTICAL

- Anidolic optical system with linear light extraction elements
- Precision extruded high transmittance clear acrylic lenses
- Long life LED system designed for TM21 lumen maintenance \geq L90 @ 60,000 h
- Available in CCTs 3000 K, 3500 K or 4000 K with CRI \geq 80 and R9 \geq 0, all with color accurate binning \leq 2 SDCM

CONSTRUCTION

- 20 ga. satin coat steel housing
- Extruded aluminum flange options available for drywall trim, trimless and t-bar grid ceilings

ELECTRICAL

- Integral high efficiency drivers 120 - 277 V or 347 V; 50 - 60 Hz
- Optional Battery Pack
- Optional flex whip: 6' prewired for standalone
- Surge Protection: Meets ANSI C82.11 spec and ANSI/IEEE C62.41
- Inrush Current: Meets NEMA 410

ENVIRONMENTAL

- Designed for use in damp or dry indoor environments with room side operating temperatures of 0 - 30° C (32 - 86° F)

WARRANTY

- 5 year limited warranty on all components and workmanship

INDEPENDENT TESTING

- IESNA LM79
- IESNA LM80 (LED@ 10,000 h)

APPROVALS

- UL Listed (USA + Canada)
- CCEA Chicago Plenum
- IC Rated