



NOTCH 2 Area Asymmetric - NT1-A

Specification Data



D2 - Drywall Trimless shown with (E) Dado Endcap option

Luminaire	NOTCH 2 - Area 100 Dn Area Asymmetric (NT1-A)	Type
Project		
Product		
Notes		

Performance Summary	100 Down Asymmetric	
	A	B
Light (lm)	450	550
Energy (W)	5.0	6.0
Efficacy (lm/W)	93	91
Color Rendering (CRI)	80+	80+
Color Accuracy (SDCM)	< 2	< 2
L70 Estimate (h)	200,000	200,000
Lumen Maintenance per TM21 (@ 60,000 h)	L90	L90

Summary values are nominal and based on 4000K CCT.



SPECIFICATION

NT1	A	OPTIONS									
1	2	3	4	5	6	7	8	9	OPTIONS		
1. FAMILY	2. VERSION	3. TRIM / CEILING	4. DISTRIBUTION	5. LIGHT + ENERGY ²	6. CCT						
NT1 Area 100 Dn	L Linear Row P Pattern PATTERN ¹ P0 Square P1 Rectangle P2 2-rows 1-corner P3 3-rows 2-corner P4 4-rows 3-corner P5 5-rows 4-corner	D1 Drywall - Trim Flange D2 Drywall - Trimless D3 Drywall - Drop Radius D4 Drywall - Drop Square G1 Grid - 9/16" or 15/16" Flat-T G1 9/16" Tegular or Bolt-Slot G1 4" Armstrong TechZone® or 4" USG Logix® W2 Wall - Trimless	A Asymmetric	A 450 lm + 5w/ft B 550 lm + 6w/ft	30 3000 K 35 3500 K 40 4000 K						
7. DRIVER	8. VOLTAGE	9. LENGTH ⁴	OPTIONS								
E1 eldoLED ECO 0-10V Dim 1% E2 eldoLED SOLO 0-10V Dim 0.1% E3 eldoLED ECO DALI 1% E4 eldoLED SOLO DALI Dim 0.1% F1 Factory Non- Dim F2 Factory 0-10V Dim 3% L1 Lutron Hi-Lume 1%-H EcoSystem	M 120 - 277 V 3 347 V ³	XX Drywall - Specify 1ft Increments XX Grid - Specify 2ft Increments LC L Corner (2 ft x 2ft) XN X intersection ⁵ TN T Intersection ⁵ CW Ceiling to Wall Transition ⁶	A Alternate Wiring (AV) B Battery Pack ⁷ C Chicago Plenum E Dado Endcap ⁸ F 6' Flex Whip (Standalone Only) K Black Trim and Endcap M EM or NL (2nd neutral) P Capsule Endcap ⁹ T Throughwire Circuit U Throughwire (w / neutral)								

NOTES					
¹ Other pattern options available. See page 4 and/or consult factory.	² Add 1w/ft for 347V with E1-4/L1	³ 347 V Driver for F1/F2 347 V Transformer & Driver for E1-4 L1	⁴ Minimum is 2 feet	⁵ Available in D2 or W2 trim options.	⁶ Available in D2 trim option. Wall leg Light + Energy default is "A". Call factory for options.
⁷ Available for 120-277V in linear 4 or 8 foot.	⁸ Available with D2 trim option. Default option is to install in one end only. Call factory for options.	⁹ Available in D2, D3 and W2 trim options.			

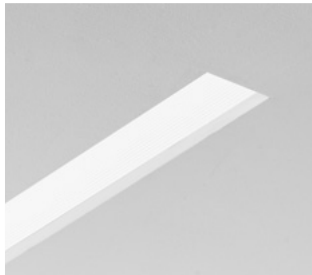
TRIM OPTIONS

TRIM



D1 - Drywall Trim Flange

TRIMLESS



D2 - Drywall Trimless

DROP TRIM



D3 - Drywall Drop Radius

GRID



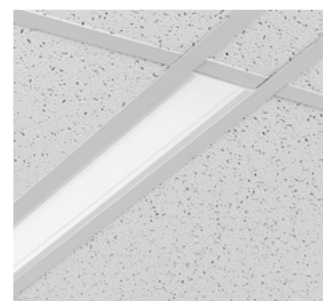
G1 - 9/16" Grid Flat T



OPTIONAL Dado Endcap



D4 - Drywall Drop Square



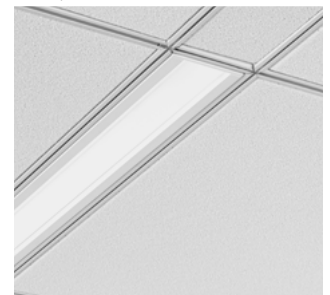
G1 - 15/16" Grid Flat T



OPTIONAL Capsule Endcap



OPTIONAL Capsule Endcap



G1 - 9/16" Tegular | Slot Grid

NOTE: Use **G1** for 4" Armstrong TechZone® or 4" USG Logix®

OPTICAL

- Anidolic optical system with linear light extraction elements
- Precision extruded high transmittance clear acrylic lenses
- Long life LED system designed for TM21 lumen maintenance \geq L90 @ 60,000 h
- Available in CCTs 3000 K, 3500 K or 4000 K with CRI \geq 80 and R9 \geq 0, all with color accurate binning \leq 2 SDCM

CONSTRUCTION

- 20 ga. satin coat steel housing
- Extruded aluminum flange options available for drywall trim, trimless and t-bar grid ceilings

ELECTRICAL

- Integral high efficiency drivers 120 - 277 V or 347 V; 50 - 60 Hz
- Optional Battery Pack
- Optional flex whip: 6' prewired for standalone
- Surge Protection: Meets ANSI C82.11 spec and ANSI/IEEE C62.41
- Inrush Current: Meets NEMA 410

ENVIRONMENTAL

- Designed for use in damp or dry indoor environments with room side operating temperatures of 0 - 30° C (32 - 86° F)

WARRANTY

- 5 year limited warranty on all components and workmanship

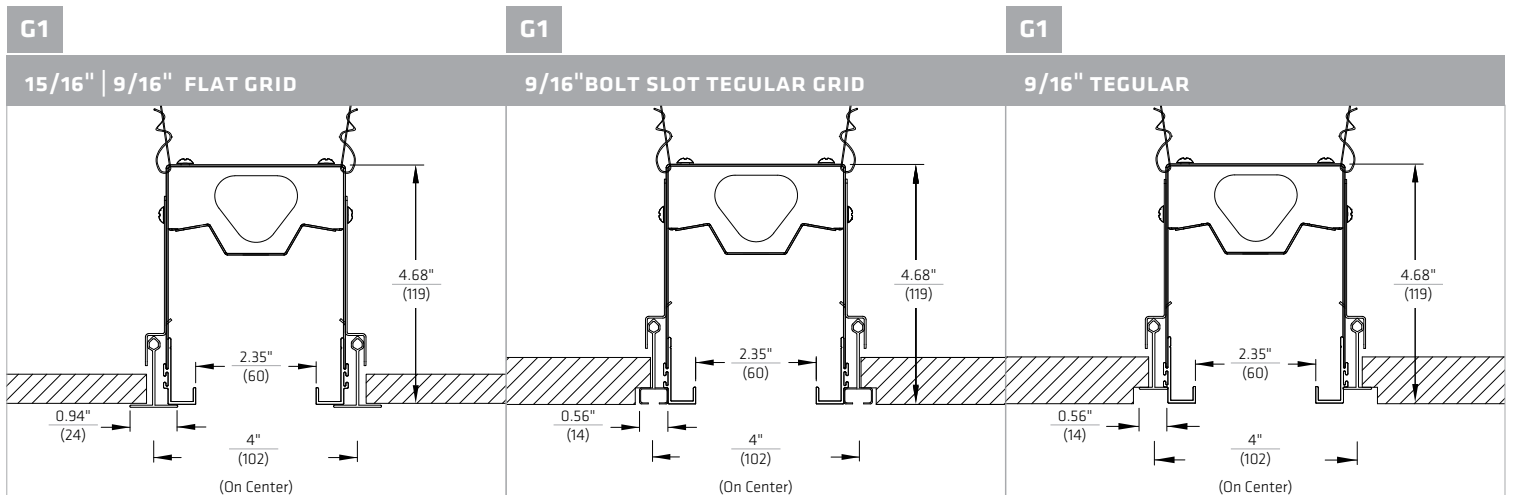
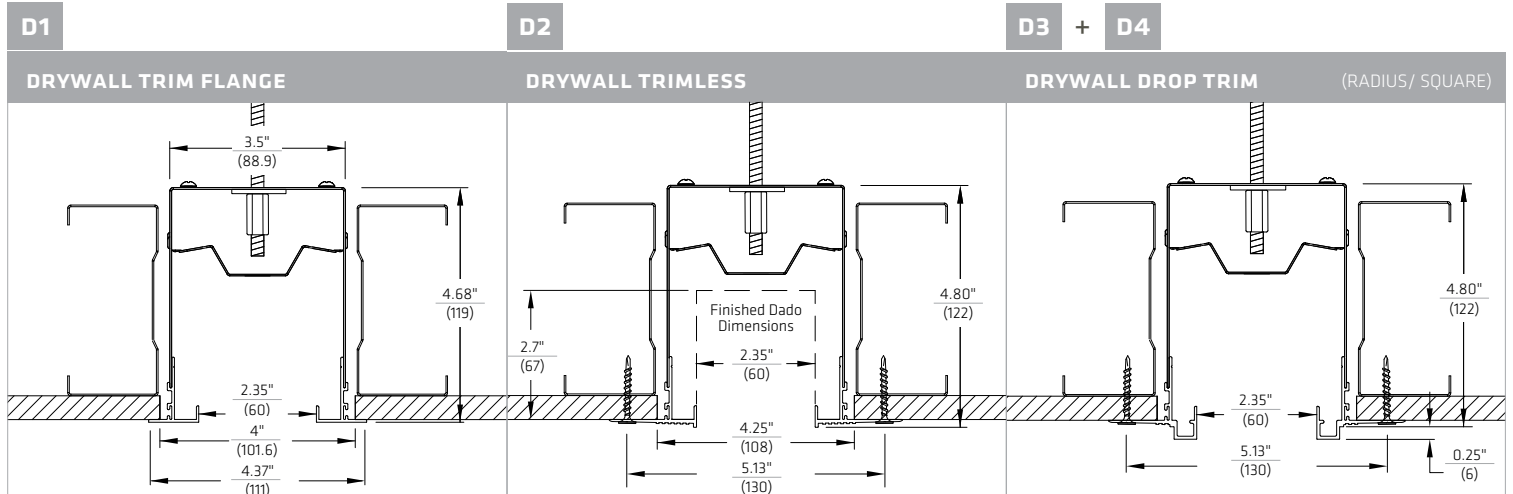
INDEPENDENT TESTING

- IESNA LM79
- IESNA LM80 (LED@ 10,000 h)

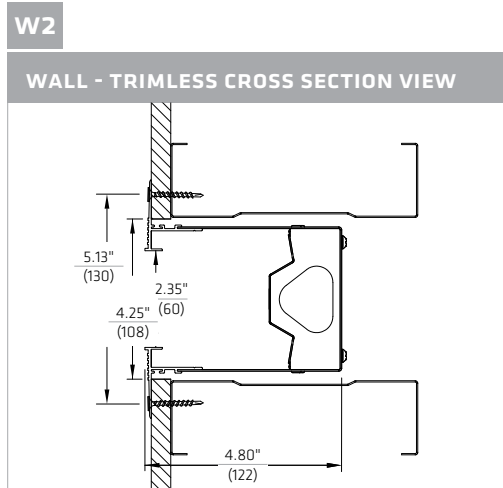
APPROVALS

- UL Listed (USA + Canada)
- CCEA Chicago Plenum
- Lighting Facts®
- IC Rated

DIMENSIONS $\frac{\text{inches}}{\text{(mm)}}$

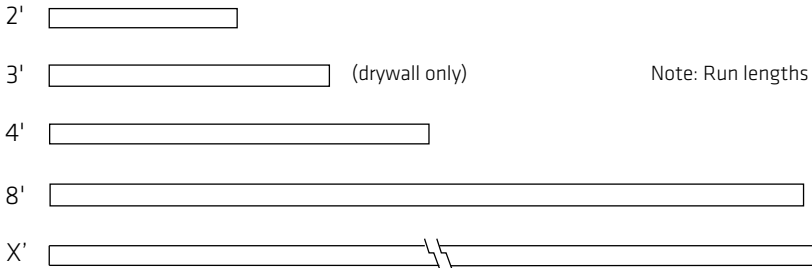


Grid (G1) is compatible with 4" Armstrong TechZone® and 4" USG Logix® Ceiling Systems



CONTINUOUS ROWS + STANDALONE FIXTURES

Continuous rows are available in nominal 1' increments in drywall ceilings and in 2' increments on-grid for T-bar ceilings. Standalone fixtures are available in 2', 3', 4', or 8' sizes.

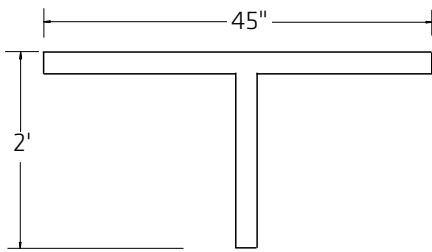


Note: Run lengths are nominal and vary with ceiling condition and trim selections.

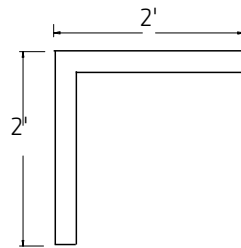
INTERSECTING FIXTURES

Intersecting sections can be used as standalone fixtures or combined with rows to create illuminated ceiling designs and patterns of light in limitless combinations.

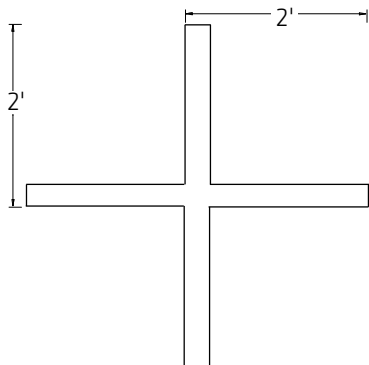
T-INTERSECTION (TN) - CEILING ONLY



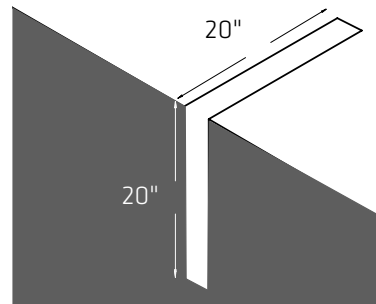
CORNER (LC) - WALL OR CEILING



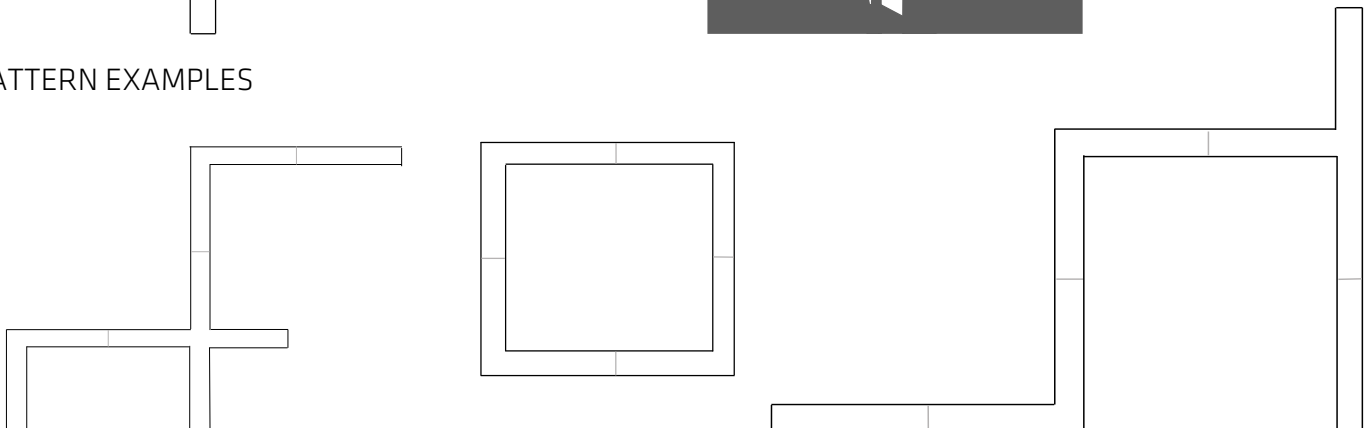
X-INTERSECTION (XN) - CEILING ONLY



CEILING TO WALL TRANSITION (CW)



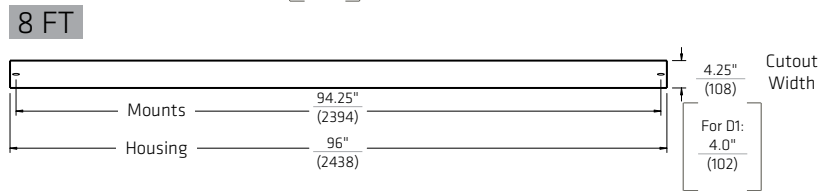
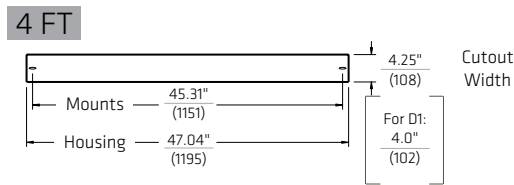
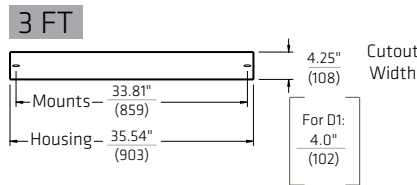
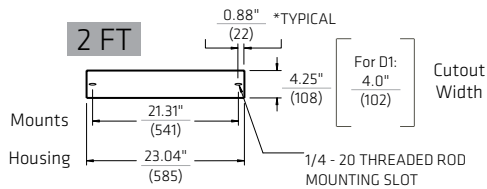
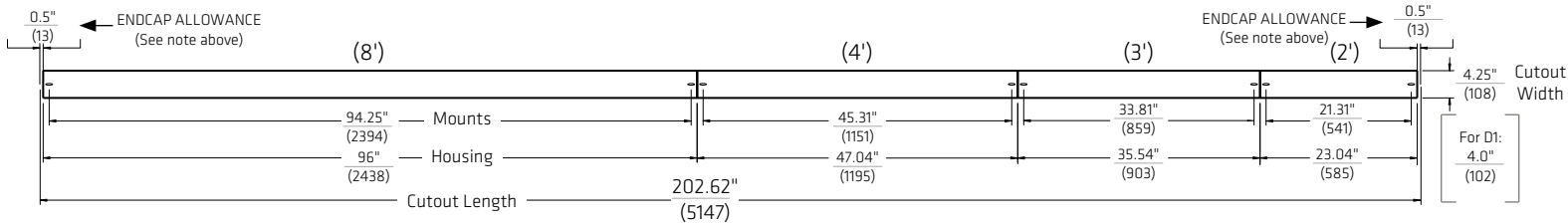
PATTERN EXAMPLES



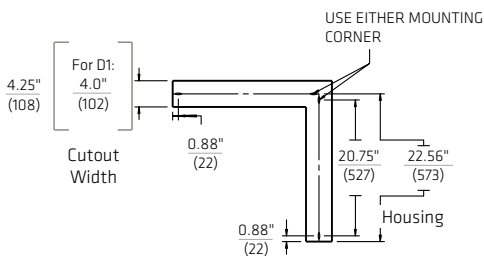
DRYWALL CUT OUT DIMENSIONS inches (mm)

To determine the overall drywall ceiling cutout length, add an endcap allowance to each end of a straight run, or final leg of an open pattern, as follows: standard flat endcap (D1-D4) - 1/2"; Capsule endcap - 1-3/4"; Dado endcap - 3/16". For corner legs of a pattern, DO NOT add an endcap allowance. Instead, use centerline dimensions and the relevant cutout width for your trim to determine the opening.

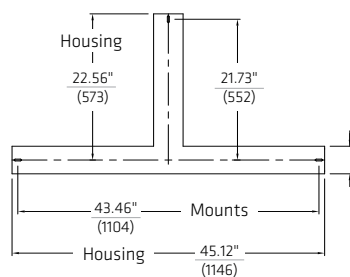
Example of a drywall cutout for a 17' run



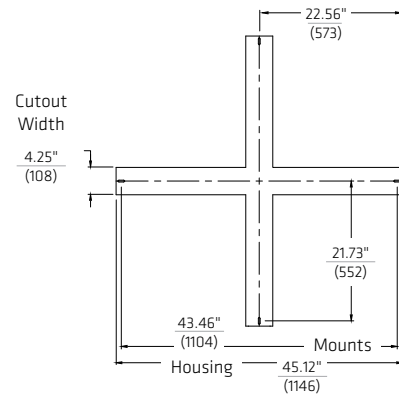
CORNER



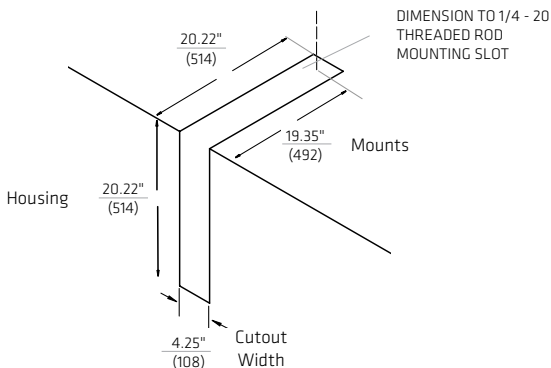
T - INTERSECTION



X - INTERSECTION



CW - INTERSECTION



INSTALLATION NOTES:

- Cutout dimensions apply to all drywall trim options.
- For patterns, squares and rectangles, use centerline dimensions with trim cutout width to determine the opening.
- A minimum depth of 5" above ceiling plane or behind wall plane is required.
- Threaded rod or lag bolt mounting is required for ceiling installations only:
 - Ensure 1/4" -20 threaded rod length is cut between 3.25" - 4.25" above finished ceiling plane
 - 2 threaded rods required for each linear housing (3 for Corner and T's, 4 for X housing).

Light + Energy	A - 450 lm + 5.0w/ft	Description	Performance Summary		Light (lm)	Energy (W)	Efficacy (lm/W)	Color Accuracy		
Version	NT1-AA40	4ft luminaire 100 Dn A Lumens CCT 4000 K	CCT Color Temperature	4000 K	1776	19.15	92.8	82.8	6.3	< 2
Report	11596156.01			3500 K	1732	19.15	90.4	82.8	6.3	< 2
				3000 K	1687	19.15	88.1	82.9	5.9	< 2

CANDLEPOWER DISTRIBUTION							LUMEN SUMMARY				LUMINANCE DATA (CD/M ²)			
Vertical Angle	Horizontal Angle				Zonal Lumens	Zone	Lumens	% Lamp	% Fixture	Vertical Angle	0°	45°	90°	
0°	0°	22.5°	45°	67.5°	90°	0-30°	417	N.A.	24	45°	5810	16012	13324	
5°	411	411	411	411	411	0-60°	1402	N.A.	79	55°	5783	15510	6865	
15°	400	421	582	715	759	0-90°	1776	N.A.	100	65°	5747	8760	4955	
25°	376	521	812	943	973	90-180°	0	N.A.	0	75°	5688	5650	4248	
35°	340	622	886	926	918	Total Luminaire	0-180°	1776	N.A.	100	85°	5738	3198	3214
45°	293	661	808	747	673									
55°	237	621	635	333	281									
65°	173	509	264	161	150									
75°	105	261	104	83	79									
85°	36	37	20	20	20									
90°					30									

CO-EFFICIENTS OF UTILIZATION												
Floor	80				70				20			
Ceiling	70	50	30	10	70	50	30	10	50	30	10	0
Wall	70	50	30	10	70	50	30	10	50	30	10	0
0	119	119	119	119	116	116	116	111	111	106	106	102
1	109	104	99	95	106	101	94	97	91	93	88	90
2	98	90	83	77	96	88	76	85	74	81	73	78
3	89	79	70	64	87	77	63	74	62	71	61	69
4	82	69	60	53	79	68	53	65	52	63	51	61
5	75	62	52	45	73	60	45	58	45	56	44	54
6	69	55	46	39	67	54	39	52	39	51	38	49
7	64	50	41	34	62	49	34	47	34	46	34	44
8	59	45	36	30	57	44	30	43	30	42	30	40
9	55	41	33	27	53	40	27	39	27	38	27	37
10	51	38	30	24	50	37	24	36	24	35	24	34

Integrating Sphere and Photometric results at 4000K by an independent accredited testing laboratory per IES LM-79-2008 and ANSI C78.377-2011. Results for 3000K, 3500K scaled based on integrating sphere results for NT1-A 23W (B) and NT1-B. Candlepower Distribution scaled per total lumens of Integrating Sphere results.

Light + Energy	B - 550 lm + 6.0w/ft	Description	Performance Summary		Light (lm)	Energy (W)	Efficacy (lm/W)	Color Accuracy		
Version	NT1-AB40	4ft luminaire 100 Dn, B Lumens CCT 4000 K	CCT Color Temperature	4000 K	2123	23.3	91.1	82.8	6.3	< 2
Report	11921916.07			3500 K	2070	23.3	88.8	82.8	6.3	< 2
				3000 K	2017	23.3	86.6	82.9	5.9	< 2

CANDLEPOWER DISTRIBUTION							LUMEN SUMMARY				LUMINANCE DATA (CD/M ²)			
Vertical Angle	Horizontal Angle				Zonal Lumens	Zone	Lumens	% Lamp	% Fixture	Vertical Angle	0°	45°	90°	
0°	0°	22.5°	45°	67.5°	90°	0-30°	499	N.A.	24	45°	6945	19142	15927	
5°	493	500	507	511	513	0-60°	1676	N.A.	79	55°	6914	18540	8208	
15°	478	503	695	854	907	0-90°	2123	N.A.	100	65°	6871	10470	5926	
25°	449	623	971	1127	1164	90-180°	0	N.A.	0	75°	6797	6754	5076	
35°	407	744	1060	1107	1098	Total Luminaire	0-180°	2123	N.A.	100	85°	6863	3809	3841
45°	351	791	966	893	804									
55°	283	743	759	398	336									
65°	207	608	316	192	179									
75°	126	312	125	100	94									
85°	43	44	24	23	24									
90°					35									

CO-EFFICIENTS OF UTILIZATION												
Floor	80				70				20			
Ceiling	70	50	30	10	70	50	30	10	50	30	10	0
Wall	70 <td>50 <td>30 <td>10 <td>70 <td>50 <td>30 <td>10 <td>50 <td>30 <td>10 <td>0</td> </td></td></td></td></td></td></td></td></td></td>	50 <td>30 <td>10 <td>70 <td>50 <td>30 <td>10 <td>50 <td>30 <td>10 <td>0</td> </td></td></td></td></td></td></td></td></td>	30 <td>10 <td>70 <td>50 <td>30 <td>10 <td>50 <td>30 <td>10 <td>0</td> </td></td></td></td></td></td></td></td>	10 <td>70 <td>50 <td>30 <td>10 <td>50 <td>30 <td>10 <td>0</td> </td></td></td></td></td></td></td>	70 <td>50 <td>30 <td>10 <td>50 <td>30 <td>10 <td>0</td> </td></td></td></td></td></td>	50 <td>30 <td>10 <td>50 <td>30 <td>10 <td>0</td> </td></td></td></td></td>	30 <td>10 <td>50 <td>30 <td>10 <td>0</td> </td></td></td></td>	10 <td>50 <td>30 <td>10 <td>0</td> </td></td></td>	50 <td>30 <td>10 <td>0</td> </td></td>	30 <td>10 <td>0</td> </td>	10 <td>0</td>	0
0	119	119	119	119	116	116	116	111	111	106	106	102
1	109	104	99	95	106	101	94	97	91	93	88	90
2	98	90	83	77	96	88	76	85	74	81	73	78
3	89	79	70	64	87	77	63	74	62	71	61	69
4	82	69	60	53	79	68	53	65	52	63	51	61
5	75	62	52	45	73	60	45	58	45	56	44	54
6	69	55	46	39	67	54	39	52	39	51	38	49
7	64	50	41	34	62	49	34	47	34	46	34	44
8	59	45	36	30	57	44	30	43	30	42	30	40
9	55	41	33	27	53	40	27	39	27	38	27	37
10	51	38	30	24	50	37	24	36	24	35	24	34