



# NOTCH 4 - NF1-B Specification Data

|           |   |      |
|-----------|---|------|
| Luminaire | NOTCH 4 - Area 100 Dn Symmetric (NF1-B) | Type |
| Project   |   |      |
| Product   |   |      |
| Notes     |   |      |



D2 - Drywall Trimless shown with (E) Dado Endcap option

| Performance Summary                     | NF1-B Area 100 Dn Symmetric |         |         |         |
|---|-----------------------------|---------|---------|---------|
|   | A                           | B       | C       | D       |
| Light (lm/ft)                           | 450                         | 550     | 650     | 850     |
| Energy (W/ft)                           | 5.00                        | 6.00    | 7.25    | 9.50    |
| Efficacy (lm/W)                         | 94                          | 94      | 92      | 91      |
| Color Rendering (CRI)                   | 80+                         | 80+     | 80+     | 80+     |
| Color Accuracy (SDCM)                   | < 2                         | < 2     | < 2     | < 2     |
| L70 Estimate (h)                        | 200,000                     | 200,000 | 200,000 | 200,000 |
| Lumen Maintenance per TM21 (@ 60,000 h) | L90                         | L90     | L90     | L90     |

Summary values are nominal and based on 4000K CCT



D1 - Drywall Trim Flange    D2 - Drywall Trimless    D3 - Drywall Drop Radius    D4 - Drywall Drop Square    G1 - 9/16" Grid Flat T    G1 - 15/16" Grid Flat T    G1 - 9/16" Tegular | Slot Grid

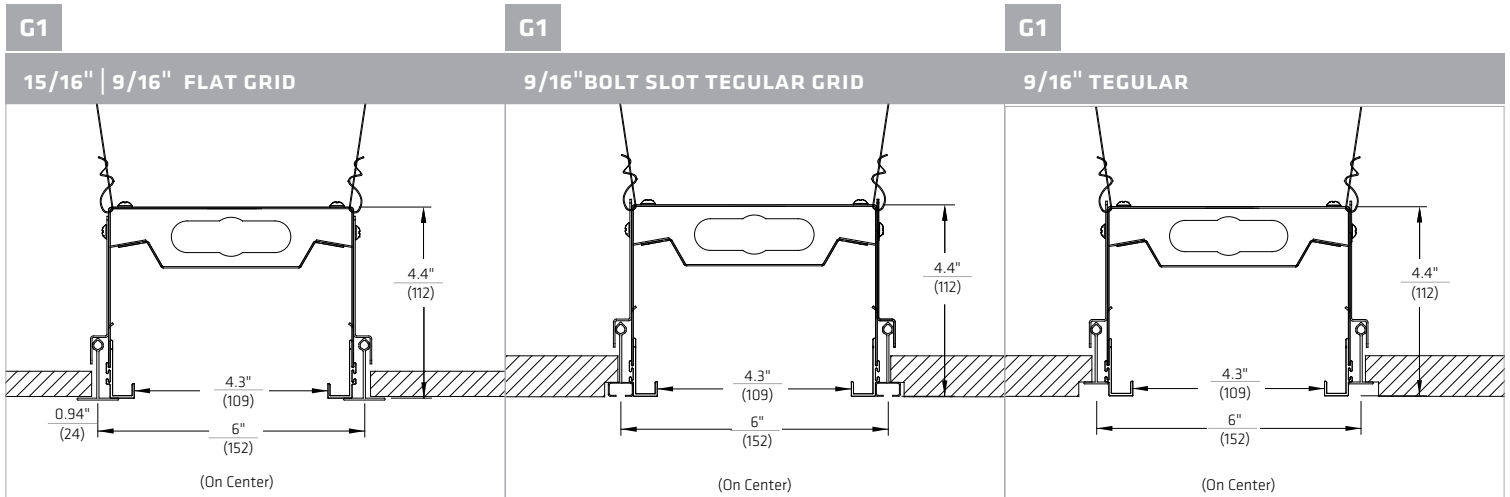
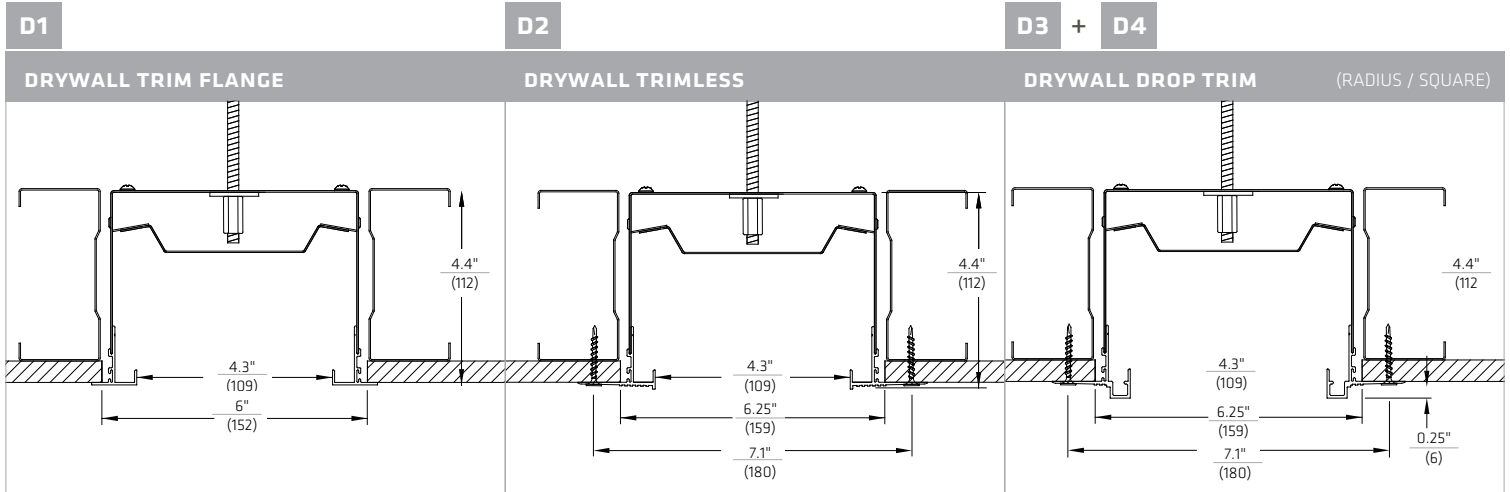
NOTE: Use **G1** for 6" Armstrong TechZone® or 6" USG Logix®

|     |   |   |   |   |   |   |   |   |         |  |  |  |  |  |
|-----|---|---|---|---|---|---|---|---|---------|--|--|--|--|--|
| NF1 | B |   |   |   |   |   |   |   | OPTIONS |  |  |  |  |  |
| 1   | 2 | 3 | 4 | 5 | 6 | 7 | 8 | 9 |         |  |  |  |  |  |

| 1. FAMILY   | 2. VERSION  | 3. TRIM /CEILING  | 4. DISTRIBUTION  | 5. LIGHT + ENERGY <sup>1</sup>  | 6. CCT   |
|---|---|---|--|---|--|
| <b>NF1</b> Area 100 Dn<br>4.3 aperture  | <b>L</b> Linear Row<br><b>Px</b> Pattern<br><b>P0</b> Square<br><b>P1</b> Rectangle<br><b>P2</b> 2-rows   1-corner<br><b>P3</b> 3-rows   2-corner<br><b>P4</b> 4-rows   3-corner<br><b>P5</b> 5-rows   4-corner | <b>D1</b> Drywall - Trim Flange<br><b>D2</b> Drywall - Trimless<br><b>D3</b> Drywall - Drop Radius<br><b>D4</b> Drywall - Drop Square<br><b>G1</b> Grid - 9/16" or 15/16" Flat-T<br><b>G1</b> 9/16" Tegular or Bolt-Slot<br><b>G1</b> 4" Armstrong TechZone® or 4" USG Logix® | <b>B</b> Symmetric   | <b>A</b> 450 lm + 5w/ft<br><b>B</b> 550 lm + 6w/ft<br><b>C</b> 650 lm + 7.25w/ft<br><b>D</b> 850 lm + 9.5w/ft | <b>30</b> 3000 K<br><b>35</b> 3500 K<br><b>40</b> 4000 K |
| 7. DRIVER   | 8. VOLTAGE  | 9. LENGTH <sup>3</sup>  | OPTIONS  |   |  |
| <b>E1</b> eldoLED ECO 0-10V Dim 1%<br><b>E2</b> eldoLED SOLO 0-10V Dim 0.1%<br><b>E3</b> eldoLED ECO DALI 1%<br><b>E4</b> eldoLED SOLO DALI Dim 0.1%<br><b>F1</b> Factory Non- Dim<br><b>F2</b> Factory 0-10V Dim 3%<br><b>L1</b> Lutron Hi-Lume 1%-H EcoSystem | <b>M</b> 120 - 277 V<br><b>3</b> 347 V <sup>2</sup>   | <b>XX</b> Drywall - Specify 1ft Increments<br><b>XX</b> Grid - Specify 2ft Increments<br><b>LC</b> 2ft x 2ft Corner   | <b>A</b> Alternate Wiring (AV)<br><b>B</b> Battery Pack <sup>4</sup><br><b>C</b> Chicago Plenum<br><b>E</b> Dado Endcap <sup>5</sup><br><b>F</b> 6' Flex Whip (Standalone Only)<br><b>K</b> Black Trim and Endcap<br><b>M</b> EM or NL (2nd neutral)<br><b>T</b> Throughwire Circuit<br><b>U</b> Throughwire (w / neutral) |   |  |

| NOTES  |  |                                       |  |   |
|--|--|---------------------------------------|--|---|
| <sup>1</sup> Add 1w/ft for 347V with E1-4/L1 | <sup>2</sup> 347V Driver for F1/F2 347V Transformer & Driver for E1-4/L1 | <sup>3</sup> Minimum length is 2 feet | <sup>4</sup> Available for 120-277V in 4 or 8 foot | <sup>5</sup> Available with D2 trim option. Default option is to install in one end only. Call factory for options. |

### DIMENSIONS inches (mm)



Grid **(G1)** is compatible with 6" Armstrong TechZone® and 6" USG Logix® Ceiling Systems

### PATTERNS

For patterns, design your own layout using the trim and corner options available or choose from one of our typical patterns for simpler specification.

NOTE: Minimum 4' x 4' in Drywall | 6' x 6' in Grid

NOTE: Minimum 4ft corner to corner (where 2 corners are present)

P0 - SQUARE

P1 - RECTANGLE

P2 - 2 SIDES | 1 CORNER

P3 - 3 SIDES | 2 CORNER

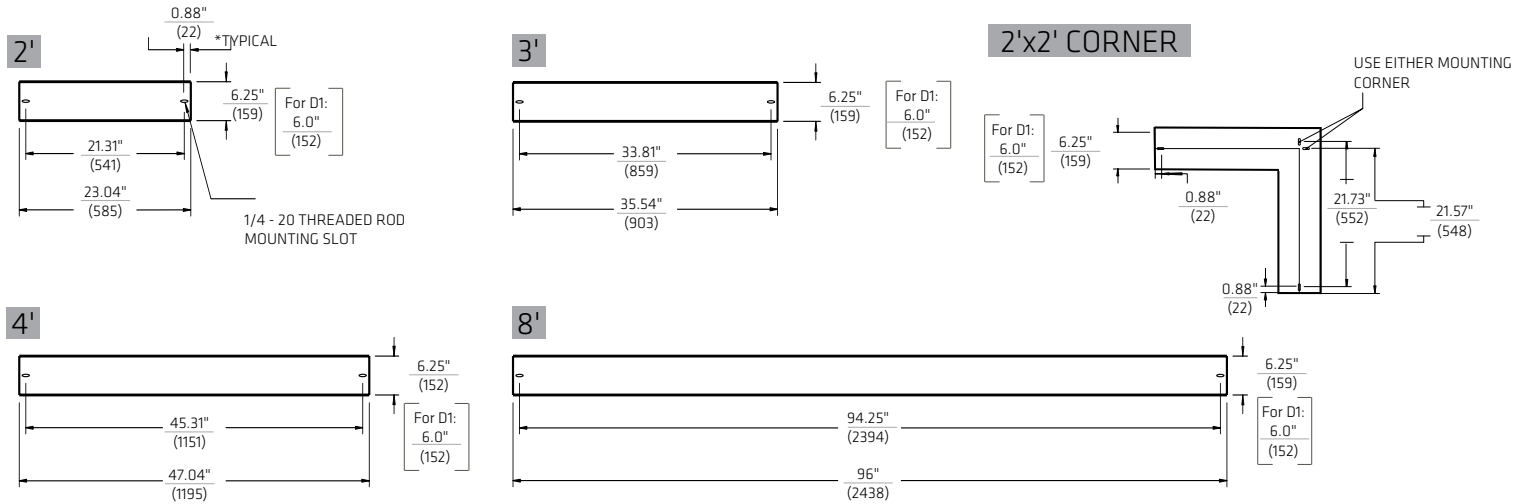
P4 - 4 SIDES | 3 CORNER



### DRYWALL CUT OUT DIMENSIONS

inches  
(mm)

Continuous rows are available in nominal 1' increment in drywall ceilings and in 2' increments on-grid for T-bar ceilings. Standalone fixtures are available in nominal 2', 3', 4' or 8' sizes.



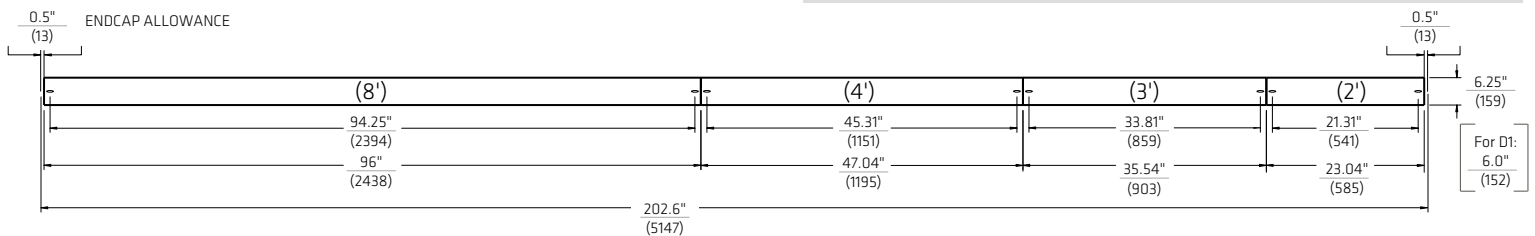
#### CUTOUT DIMENSIONS:

ADD 1/2" TO EACH END OF OVERALL RUN LENGTH, EXCEPT FOR DADO END OR CLOSED PATTERN(S)

#### INSTALLATION NOTES:

- Cutout dimensions apply to all drywall trim options.
- Do not add additional allowance for patterns, squares and rectangles.
- A minimum depth of 4.75" above ceiling plane is required.
- Ensure 1/4 - 20 threaded rod length is cut between 3.125" - 3.75" above finished ceiling plane
- 2 threaded rods required for each linear housing (3 for corner housing)

#### Example of a drywall cutout for a 17' run



#### OPTICAL

- Anidolic optical system with linear light extraction elements
- Precision extruded high transmittance clear acrylic lenses
- Long life LED system designed for TM21 lumen maintenance  $\geq$  L90 @ 60,000 h
- Available in CCTs 3000 K, 3500 K or 4000 K with CRI  $\geq$  80 and R9  $\geq$  0, all with color accurate binning  $\leq$  2 SDCM

#### CONSTRUCTION

- 20 ga. satin coat steel housing
- Extruded aluminum flange options available for drywall trim, trimless and t-bar grid ceilings

#### ELECTRICAL

- Integral high efficiency drivers 120 - 277 V or 347 V; 50 - 60 Hz
- Optional Battery Pack
- Optional flex whip: 6' prewired for standalone
- Surge Protection: Meets ANSI C82.11 spec and ANSI/IEEE C62.41
- Inrush Current: Meets NEMA 410

#### ENVIRONMENTAL

- Designed for use in damp or dry indoor environments with room side operating temperatures of 0 - 30° C (32 - 86° F)

#### WARRANTY

- 5 year limited warranty on all components and workmanship

#### INDEPENDENT TESTING

- IESNA LM79
- IESNA LM80 (LED@ 10,000 h)

#### APPROVALS

- UL Listed (USA + Canada)
- CCEA Chicago Plenum
- IC Rated