



NOTCH 2 - NT2-A Specification Data



D2 - Drywall Trimless shown with (E) Dado Endcap option

| | | |
|-----------|---------------------------------------|------|
| Luminaire | NOTCH - VSI 100 Dn Asymmetric (NT2-A) | Type |
| Project | | |
| Product | | |
| Notes | | |

| Performance Summary | NT2-A VSI 100 Dn Asymmetric | |
|---|-----------------------------|-----------|
| | A - 5w/ft | B - 6w/ft |
| Light (lm/ft) | 290 | 350 |
| Energy (W/ft) | 5.00 | 6.00 |
| Efficacy (lm/W) | 61 | 60 |
| Color Rendering (CRI) | 80+ | 80+ |
| Color Accuracy (SDCM) | < 2 | < 2 |
| L70 Estimate (h) | 200,000 | 200,000 |
| Lumen Maintenance per TM21 (@ 60,000 h) | L90 | L90 |

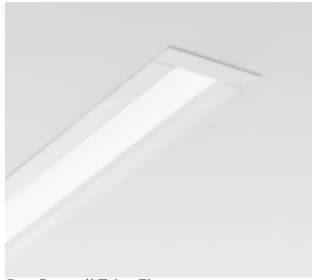
Summary values are nominal and based on 4000K CCT

SPECIFICATION

| NT2 | | | | | A | | | | | OPTIONS | | | | |
|---|---|---|--|---|--|---|---|---------------------|--|--|--|--|--|--|
| 1 | 2 | 3 | 4 | 5 | 6 | 7 | 8 | 9 | | | | | | |
| 1. FAMILY | | | 2. VERSION | | 3. TRIM / CEILING | | | 4. DISTRIBUTION | | 5. LIGHT + ENERGY ¹ | | 6. CCT | | |
| NT2 VSI 100 Dn | | | L Linear Row P Pattern PATTERN P0 Square P1 Rectangle P2 2-rows 1-corner P3 3-rows 2-corner P4 4-rows 3-corner P5 5-rows 4-corne Other pattern options available. See page 4 and/or consult factory. | | D1 Drywall - Trim Flange D2 Drywall - Trimless D3 Drywall - Drop Radius D4 Drywall - Drop Square G1 Grid - 9/16" or 15/16" Flat-T G1 9/16" Tegular or Bolt-Slot G1 4" Armstrong TechZone® or 4" USG Logix® W2 Wall - Trimless | | | A Asymmetric | | A 290 lm + 5w/ft B 350 lm + 6w/ft ¹ Add 1w/ft for 347V with E1-4/L1 | | 30 3000 K 35 3500 K 40 4000 K | | |
| 7. DRIVER | | | | | 8. VOLTAGE | | 9. LENGTH ³ | | | OPTIONS | | | | |
| E1 eldoLED ECO 0-10V Dim 1% E2 eldoLED SOLO 0-10V Dim 0.1% E3 eldoLED ECO DALI 1% E4 eldoLED SOLO DALI Dim 0.1% F1 Factory Non- Dim F2 Factory 0-10V Dim 3% L1 Lutron Hi-Lume 1%-H EcoSystem | | | | | M 120 - 277 V 3 347 V ² ² 347V Driver for F1/F2 347V Transformer & Driver for E1-4/L1 | | XX Drywall - Specify 1ft Increments XX Grid - Specify 2ft Increments LC L Corner (2 ft x 2ft) XN X intersection ⁴ TN T Intersection ⁴ CW Ceiling to Wall Transition ⁵ ³ Minimum length is 2 feet ⁴ Available in D2 or W2 trim options ⁵ Available in D2 trim option. Wall leg Light + Energy matches ceiling. Call factory for options. | | | A Alternate Wiring (AV) B Battery Pack ⁶ C Chicago Plenum E Dado Endcap ⁷ F 6' Flex Whip (Standalone Only) K Black Trim and Endcap M EM or NL (2nd neutral) P Capsule Endcap ⁸ T Throughwire Circuit U Throughwire (w / neutral) | | | | |

TRIM OPTIONS

TRIM



D1 - Drywall Trim Flange

TRIMLESS



D2 - Drywall Trimless

DROP TRIM



D3 - Drywall Drop Radius

GRID



G1 - 9/16" Grid Flat T



OPTIONAL Dado Endcap



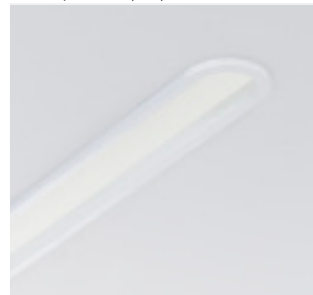
D4 - Drywall Drop Square



G1 - 15/16" Grid Flat T



OPTIONAL Capsule Endcap



OPTIONAL Capsule Endcap



G1 - 9/16" Tegular | Slot Grid

NOTE: Use **G1** for 4" Armstrong TechZone® or 4" USG Logix®

OPTICAL

- Anidolic optical system with linear light extraction elements
- Precision extruded high transmittance clear acrylic lenses
- Long life LED system designed for TM21 lumen maintenance \geq L90 @ 60,000 h
- Available in CCTs 3000 K, 3500 K or 4000 K with CRI \geq 80 and R9 \geq 0, all with color accurate binning \leq 2 SDCM

CONSTRUCTION

- 20 ga. satin coat steel housing
- Extruded aluminum flange options available for drywall trim, trimless and t-bar grid ceilings

ELECTRICAL

- Integral high efficiency drivers 120 - 277 V or 347 V; 50 - 60 Hz
- Optional Battery Pack
- Optional flex whip: 6' prewired for standalone
- Surge Protection: Meets ANSI C82.11 spec and ANSI/IEEE C62.41
- Inrush Current: Meets NEMA 410

ENVIRONMENTAL

- Designed for use in damp or dry indoor environments with room side operating temperatures of 0 - 30° C (32 - 86° F)

WARRANTY

- 5 year limited warranty on all components and workmanship

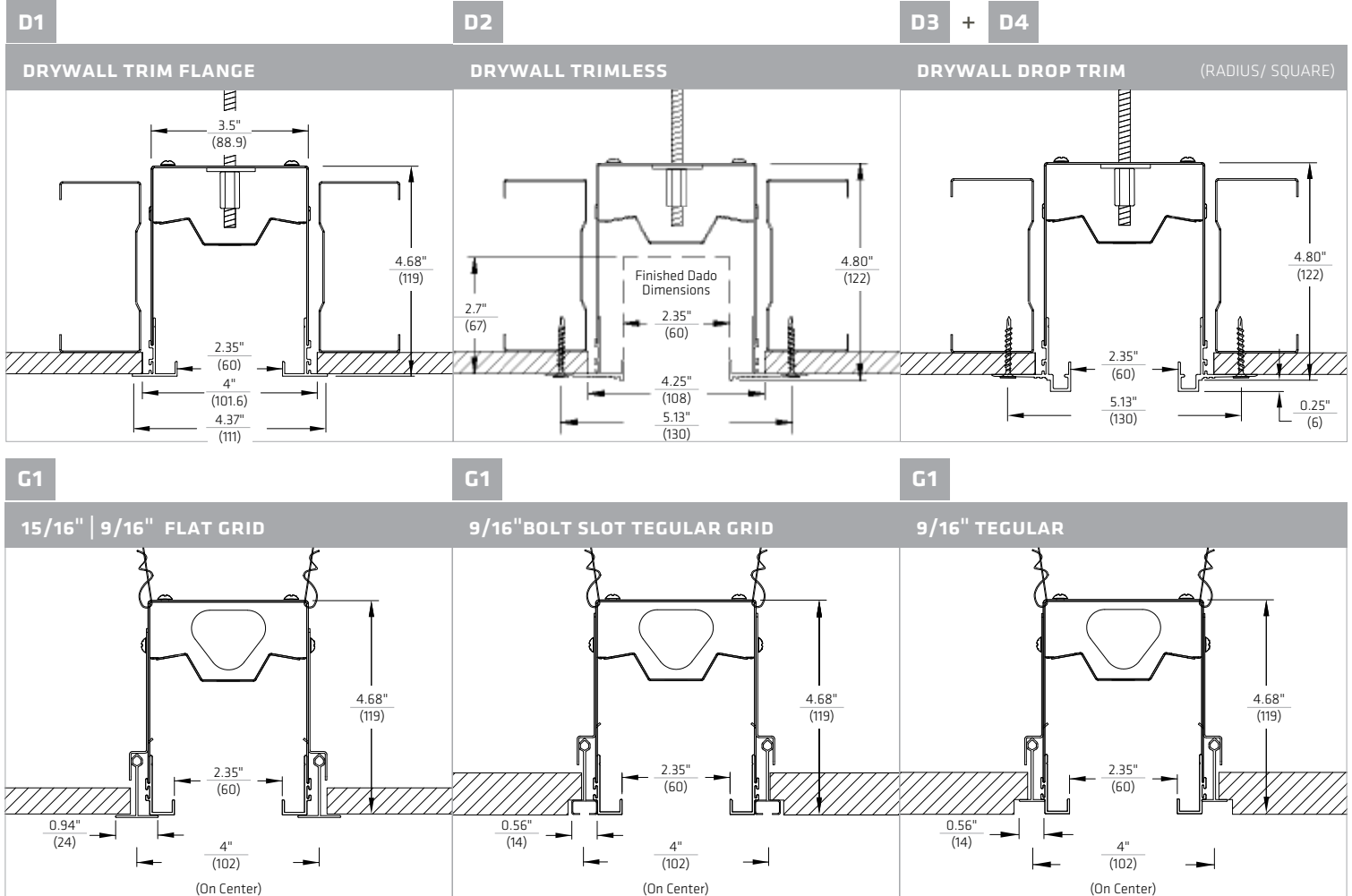
INDEPENDENT TESTING

- IESNA LM79
- IESNA LM80 (LED@ 10,000 h)

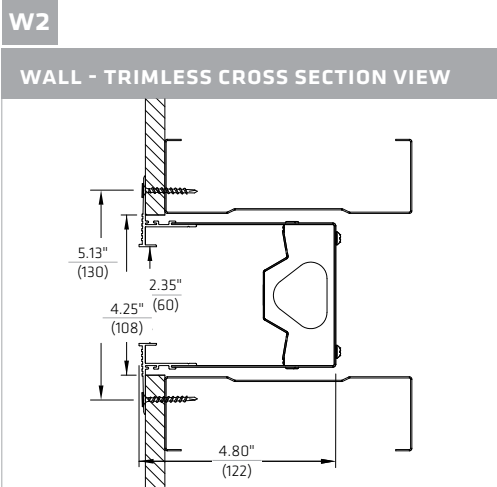
APPROVALS

- UL Listed (USA + Canada)
- CCEA Chicago Plenum
- Lighting Facts®
- IC Rated

DIMENSIONS inches
(mm)

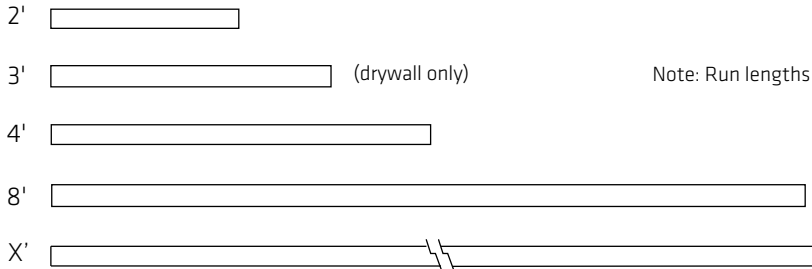


Grid (G1) is compatible with 4" Armstrong TechZone® and 4" USG Logix® Ceiling Systems



CONTINUOUS ROWS + STANDALONE FIXTURES

Continuous rows are available in nominal 1' increments in drywall ceilings and in 2' increments on-grid for T-bar ceilings. Standalone fixtures are available in 2', 3', 4', or 8' sizes.

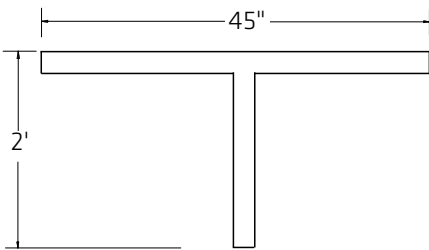


Note: Run lengths are nominal and vary with ceiling condition and trim selections.

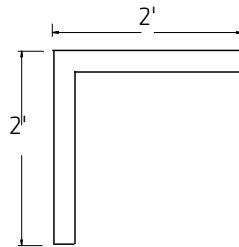
INTERSECTING FIXTURES

Intersecting sections can be used as standalone fixtures or combined with rows to create illuminated ceiling designs and patterns of light in limitless combinations.

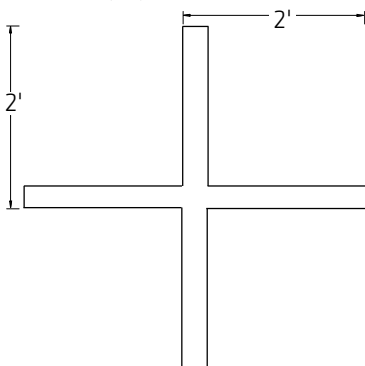
T-INTERSECTION (TN) - CEILING ONLY



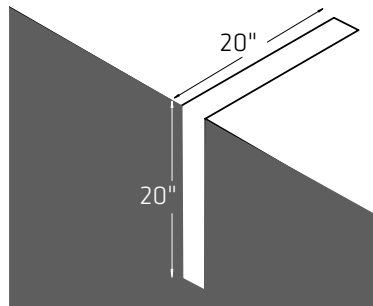
CORNER (LC) - WALL OR CEILING



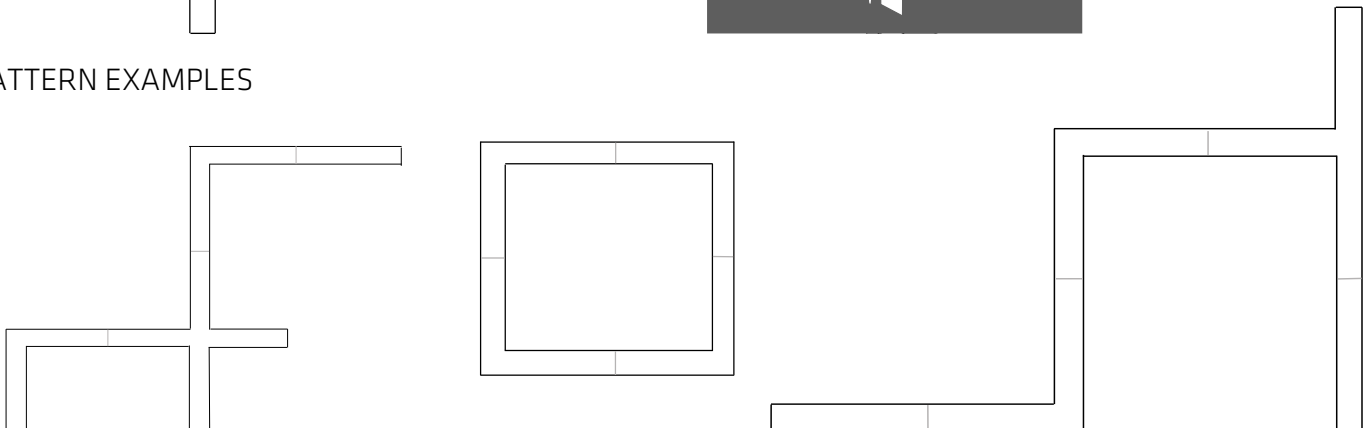
X-INTERSECTION (XN) - CEILING ONLY



CEILING TO WALL TRANSITION (CW)



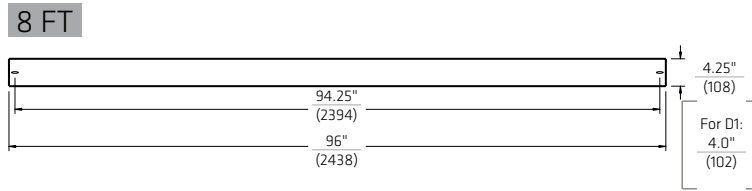
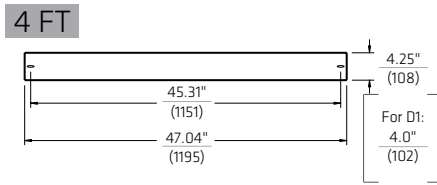
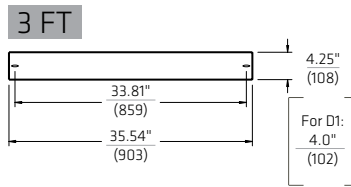
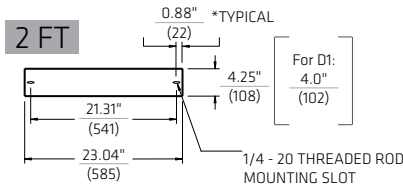
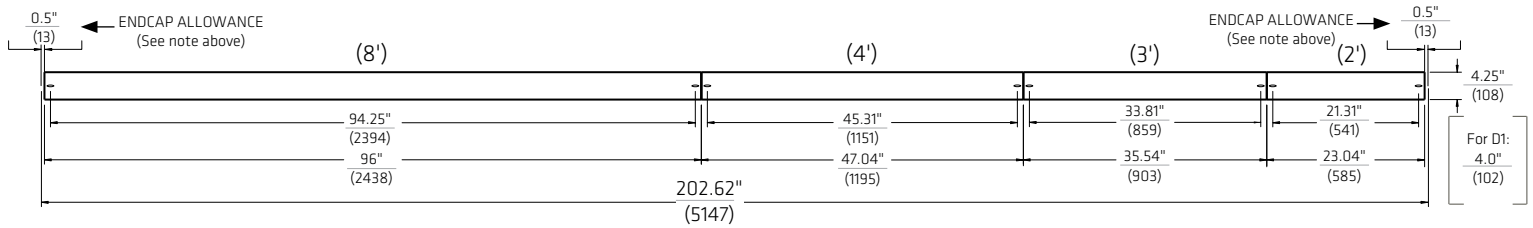
PATTERN EXAMPLES



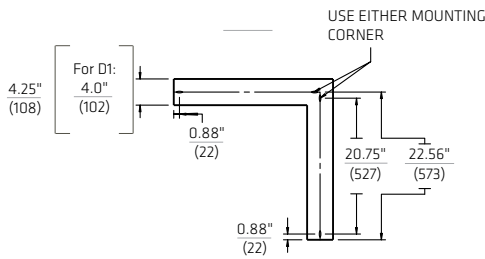
DRYWALL CUT OUT DIMENSIONS inches (mm)

For cutout dimensions for rows and open patterns, add 1/2" to each end of the overall run length, except for Capsule or Dado endcaps. For rows or open patterns with Capsule endcaps add 1-3/4" inches to each end of the overall run length. Do not add to the cutout dimensions when using Dado endcaps or closed patterns.

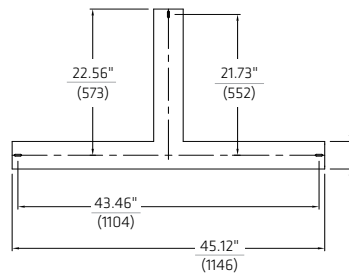
Example of a drywall cutout for a 17' run



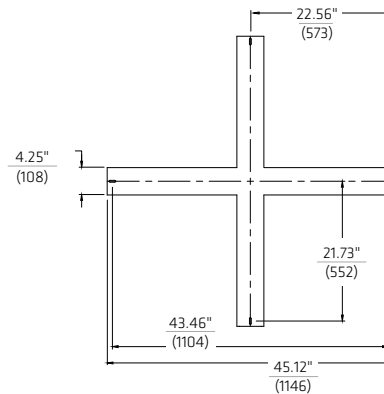
CORNER



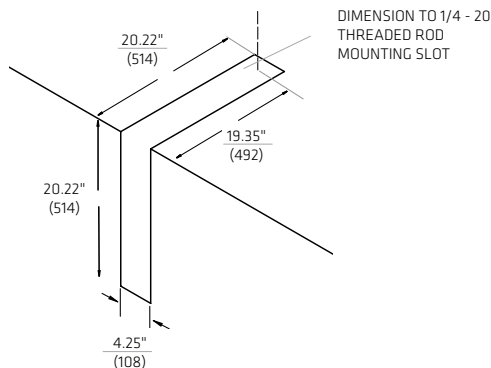
T - INTERSECTION



X - INTERSECTION



CW - INTERSECTION



INSTALLATION NOTES:

- Cutout dimensions apply to all drywall trim options.
- Do not add additional allowance for patterns, squares and rectangles.
- A minimum depth of 5" above ceiling plane or behind wall plane is required.
- Threaded rod or lag bolt mounting is required for ceiling installations only:
 - Ensure 1/4 - 20 threaded rod length is cut between 3.25" - 4.25" above finished ceiling plane
 - 2 threaded rods required for each linear housing (3 for corner housing).

| | | | | | | | | | | |
|----------------|------------------------------|---|--------------------------|--------|------|------|------|------|------|-----|
| Light + Energy | A - 290 lm + 5.00w/ft | Description | Performance Summary | | | | | | | |
| Version | NT2-AA40 | 4ft luminaire 100% Dn, A Lumens CCT 4000 K | CCT Color Temperature | 4000 K | 1176 | 19.4 | 60.6 | 82.7 | 9.1 | < 2 |
| Report | 1248354 | | | 3500 K | 1119 | 19.2 | 58 | 83.2 | 10.2 | < 2 |
| | | | | 3000K | 1049 | 19.1 | 55 | 82.1 | 6 | < 2 |

100% Dn

CANDLEPOWER DISTRIBUTION

| Vertical Angle | Horizontal Angle | | | | Zonal Lumens |
|----------------|------------------|-------|-----|-------|--------------|
| | 0° | 22.5° | 45° | 67.5° | 90° |
| 0° | 51 | 51 | 51 | 51 | 51 |
| 5° | 66 | 66 | 89 | 116 | 147 |
| 15° | 62 | 86 | 195 | 336 | 507 |
| 25° | 54 | 101 | 307 | 604 | 906 |
| 35° | 46 | 109 | 410 | 793 | 1094 |
| 45° | 39 | 107 | 460 | 783 | 762 |
| 55° | 34 | 109 | 459 | 539 | 303 |
| 65° | 31 | 118 | 444 | 263 | 142 |
| 75° | 27 | 113 | 222 | 89 | 76 |
| 85° | 19 | 59 | 31 | 22 | 16 |
| 90° | 0 | 2 | 1 | 1 | 1 |
| 95° | | | | | |
| 105° | | | | | |
| 115° | | | | | |
| 125° | | | | | |
| 135° | | | | | |
| 145° | | | | | |
| 155° | | | | | |
| 165° | | | | | |
| 175° | | | | | |
| 180° | | | | | |

LUMEN SUMMARY

| Zone | Lumens | % Lamp | % Fixture | |
|-----------------|--------|--------|-----------|-----|
| 0-30° | 329 | N.A. | 28 | |
| 0-60° | 939 | N.A. | 80 | |
| 0-90° | 1176 | N.A. | 100 | |
| 90-180° | 0 | N.A. | 0 | |
| Total Luminaire | 0-180° | 1176 | N.A. | 100 |

LUMINANCE DATA (CD/M²)

| Vertical Angle | 0° | 45° | 90° |
|----------------|------|------|------|
| 45° | 757 | 9187 | 5032 |
| 55° | 822 | 5376 | 4112 |
| 65° | 1001 | 4160 | 3812 |
| 75° | 1452 | 3670 | 3332 |
| 85° | 3007 | 1798 | 1686 |

CO-EFFICIENTS OF UTILIZATION

| Floor Ceiling Wall | 80 | | | | 70 | | | | 20 | | | | | | |
|--------------------|-----|-----|-----|-----|-----|-----|-----|-----|-----|-----|-----|-----|-----|-----|---|
| | 70 | 50 | 30 | 10 | 70 | 50 | 30 | 10 | 50 | 30 | 10 | 50 | 30 | 10 | 0 |
| 0 | 119 | 119 | 119 | 119 | 116 | 116 | 116 | 111 | 111 | 106 | 106 | 102 | 102 | 100 | |
| 1 | 109 | 104 | 100 | 96 | 106 | 102 | 94 | 98 | 91 | 94 | 89 | 90 | 86 | 84 | |
| 2 | 99 | 91 | 84 | 78 | 96 | 89 | 77 | 85 | 75 | 82 | 74 | 79 | 72 | 70 | |
| 3 | 90 | 80 | 72 | 65 | 88 | 78 | 64 | 75 | 63 | 72 | 62 | 70 | 61 | 59 | |
| 4 | 83 | 71 | 62 | 55 | 80 | 69 | 55 | 67 | 54 | 64 | 53 | 62 | 52 | 50 | |
| 5 | 76 | 63 | 54 | 47 | 74 | 62 | 47 | 60 | 47 | 58 | 46 | 56 | 45 | 43 | |
| 6 | 70 | 57 | 48 | 41 | 68 | 56 | 41 | 54 | 41 | 52 | 40 | 50 | 40 | 38 | |
| 7 | 65 | 51 | 42 | 36 | 63 | 50 | 36 | 49 | 36 | 47 | 35 | 46 | 35 | 33 | |
| 8 | 60 | 46 | 38 | 32 | 59 | 46 | 32 | 44 | 32 | 43 | 31 | 42 | 31 | 29 | |
| 9 | 56 | 42 | 34 | 29 | 55 | 42 | 28 | 41 | 28 | 40 | 28 | 39 | 28 | 26 | |
| 10 | 52 | 39 | 31 | 26 | 51 | 38 | 26 | 37 | 25 | 36 | 25 | 36 | 25 | 23 | |

Integrating Sphere and Photometric results at 4000K B lumens, by an independent accredited testing laboratory per IES LM-79-2008 and ANSI C78.377-2011. Results for 3000K, 3500K scaled based on integrating sphere results for symmetric data. Results for 4500K A lumens, scaled from B lumen data and symmetric A lumen data. Candlepower Distribution scaled per total lumens of Integrating Sphere results.

| | | | | | | | | | | |
|----------------|------------------------------|---|--------------------------|--------|------|-------|----|------|------|-----|
| Light + Energy | B - 350 lm + 6.00w/ft | Description | Performance Summary | | | | | | | |
| Version | NT2-AB40 | 4ft luminaire 100% Dn, B Lumens CCT 4000 K | CCT Color Temperature | 4000 K | 1435 | 23.93 | 60 | 82.6 | 8.8 | < 2 |
| Report | 1248355 | | | 3500 K | 1365 | 23.7 | 58 | 83.2 | 10.2 | < 2 |
| | | | | 3000K | 1280 | 23.6 | 54 | 82.1 | 6 | < 2 |

100% Dn

CANDLEPOWER DISTRIBUTION

| Vertical Angle | Horizontal Angle | | | | Zonal Lumens |
|----------------|------------------|-------|-----|-------|--------------|
| | 0° | 22.5° | 45° | 67.5° | 90° |
| 0° | 62 | 62 | 62 | 62 | 62 |
| 5° | 81 | 81 | 108 | 142 | 180 |
| 15° | 76 | 105 | 238 | 410 | 619 |
| 25° | 66 | 123 | 374 | 737 | 1105 |
| 35° | 56 | 132 | 500 | 967 | 1335 |
| 45° | 47 | 131 | 562 | 956 | 930 |
| 55° | 42 | 133 | 560 | 657 | 369 |
| 65° | 37 | 143 | 542 | 321 | 174 |
| 75° | 33 | 138 | 271 | 109 | 92 |
| 85° | 23 | 73 | 38 | 26 | 20 |
| 90° | 0 | 2 | 1 | 1 | 1 |
| 95° | | | | | |
| 105° | | | | | |
| 115° | | | | | |
| 125° | | | | | |
| 135° | | | | | |
| 145° | | | | | |
| 155° | | | | | |
| 165° | | | | | |
| 175° | | | | | |
| 180° | | | | | |

LUMEN SUMMARY

| Zone | Lumens | % Lamp | % Fixture | |
|-----------------|--------|--------|-----------|-----|
| 0-30° | 401 | N.A. | 28 | |
| 0-60° | 1145 | N.A. | 80 | |
| 0-90° | 1434 | N.A. | 100 | |
| 90-180° | 0 | N.A. | 0 | |
| Total Luminaire | 0-180° | 1435 | N.A. | 100 |

LUMINANCE DATA (CD/M²)

| Vertical Angle | 0° | 45° | 90° |
|----------------|------|-------|------|
| 45° | 924 | 11211 | 6140 |
| 55° | 1003 | 6561 | 5019 |
| 65° | 1224 | 5076 | 4652 |
| 75° | 1768 | 4479 | 4066 |
| 85° | 3675 | 2195 | 2068 |

CO-EFFICIENTS OF UTILIZATION

| Floor Ceiling Wall | 80 | | | | 70 | | | | 20 | | | | | | |
|--------------------|-----|-----|-----|-----|-----|-----|-----|-----|-----|-----|-----|-----|-----|-----|---|
| | 70 | 50 | 30 | 10 | 70 | 50 | 30 | 10 | 50 | 30 | 10 | 50 | 30 | 10 | 0 |
| 0 | 119 | 119 | 119 | 119 | 116 | 116 | 116 | 111 | 111 | 106 | 106 | 102 | 102 | 100 | |
| 1 | 109 | 104 | 100 | 96 | 106 | 102 | 94 | 98 | 91 | 94 | 89 | 90 | 86 | 84 | |
| 2 | 99 | 91 | 84 | 78 | 96 | 89 | 77 | 85 | 75 | 82 | 74 | 79 | 72 | 70 | |
| 3 | 90 | 80 | 72 | 65 | 88 | 78 | 64 | 75 | 63 | 72 | 62 | 70 | 61 | 59 | |
| 4 | 83 | 71 | 62 | 55 | 80 | 69 | 55 | 67 | 54 | 64 | 53 | 62 | 52 | 50 | |
| 5 | 76 | 63 | 54 | 47 | 74 | 62 | 47 | 60 | 47 | 58 | 46 | 56 | 45 | 43 | |
| 6 | 70 | 57 | 48 | 41 | 68 | 56 | 41 | 54 | 41 | 52 | 40 | 50 | 40 | 38 | |
| 7 | 65 | 51 | 42 | 36 | 63 | 50 | 36 | 49 | 36 | 47 | 35 | 46 | 35 | 33 | |
| 8 | 60 | 46 | 38 | 32 | 59 | 46 | 32 | 44 | 32 | 43 | 31 | 42 | 31 | 29 | |
| 9 | 56 | 42 | 34 | 29 | 55 | 42 | 28 | 41 | 28 | 40 | 28 | 39 | 28 | 26 | |
| 10 | 52 | 39 | 31 | 26 | 51 | 38 | 26 | 37 | 25 | 36 | 25 | 36 | 25 | 23 | |