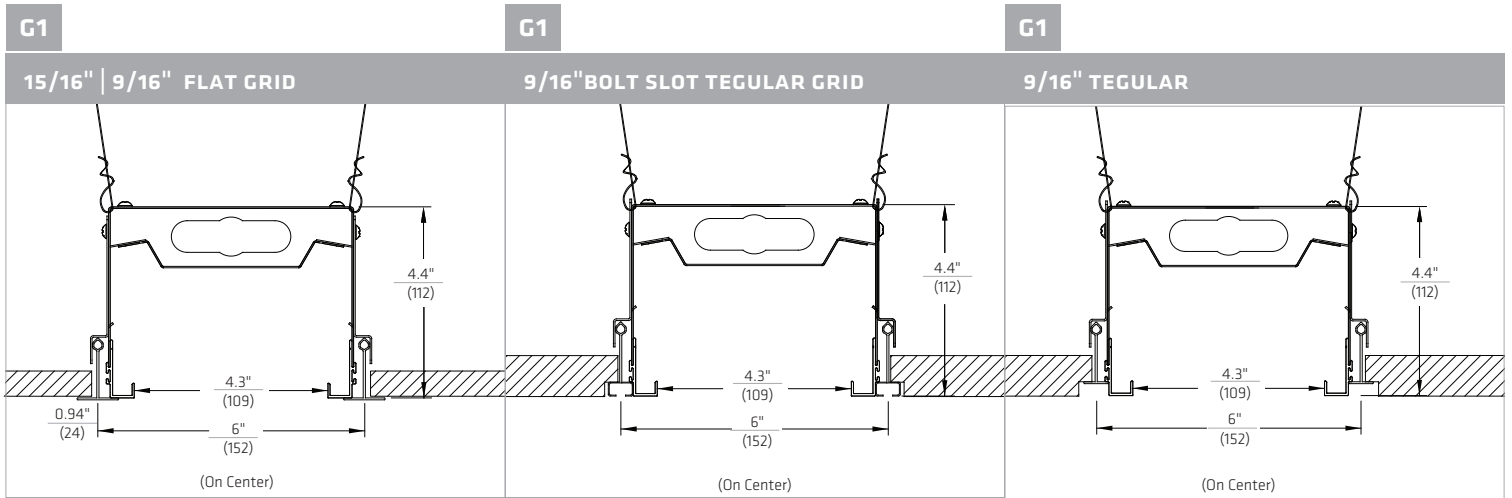
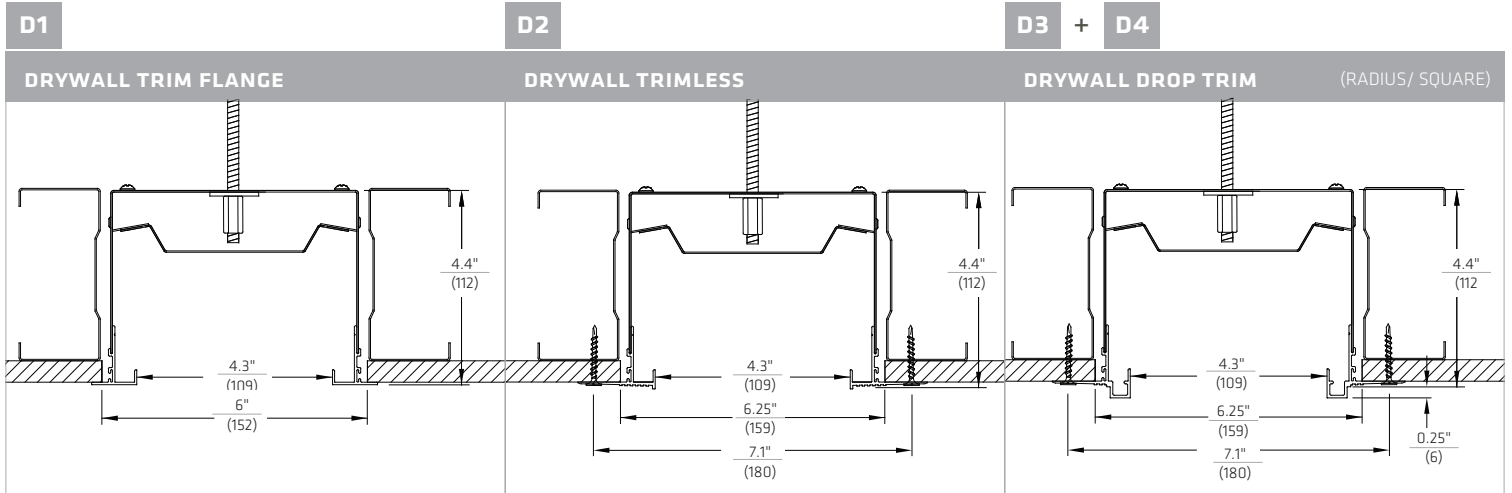


DIMENSIONS inches (mm)



Grid (G1) is compatible with 6" Armstrong TechZone® and 6" USG Logix® Ceiling Systems

PATTERNS

For patterns, design your own layout using the trim and corner options available or choose from one of our typical patterns for simpler specification.

NOTE: Minimum 4' x 4' in Drywall | 6' x 6' in Grid

NOTE: Minimum 4ft corner to corner (where 2 corners are present)

P0 - SQUARE

P1 - RECTANGLE

P2 - 2 SIDES | 1 CORNER

P3 - 3 SIDES | 2 CORNER

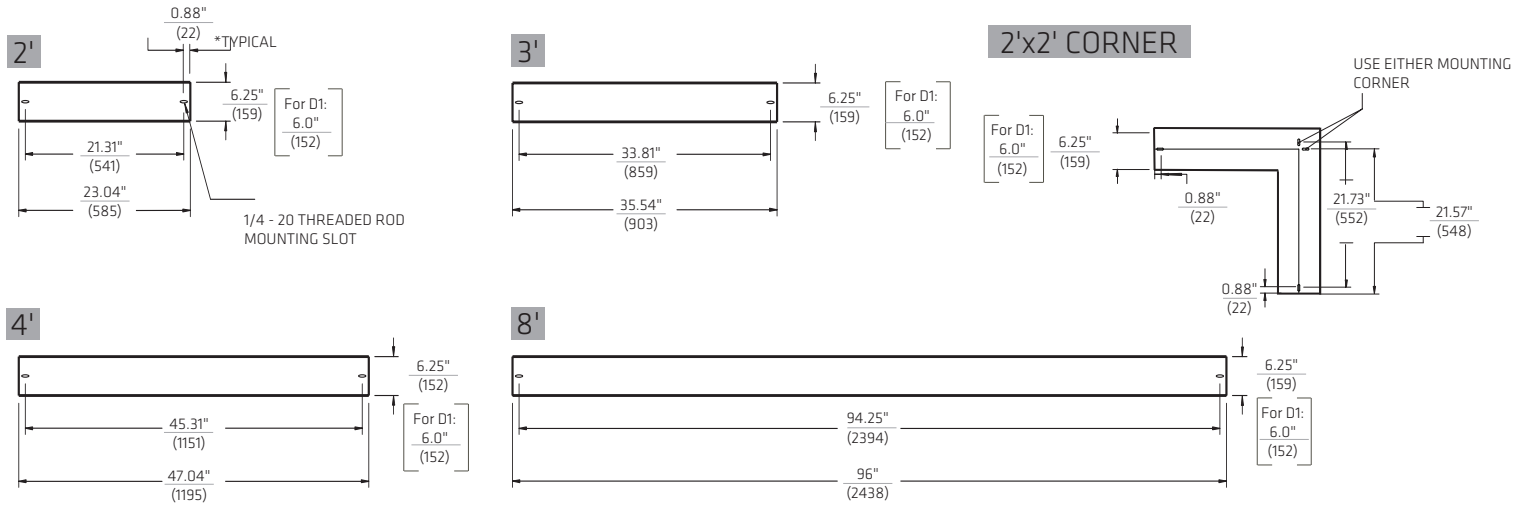
P4 - 4 SIDES | 3 CORNER



DRYWALL CUT OUT DIMENSIONS

inches
(mm)

Continuous rows are available in nominal 1' increment in drywall ceilings and in 2' increments on-grid for T-bar ceilings. Standalone fixtures are available in nominal 2', 3', 4' or 8' sizes.



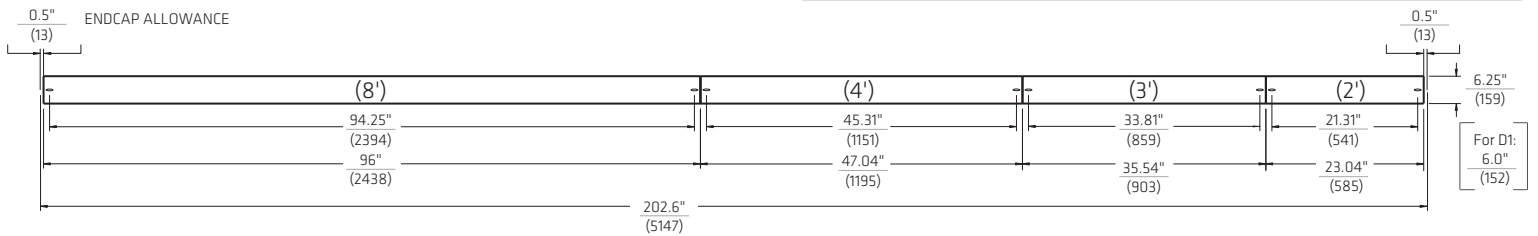
CUTOUT DIMENSIONS:

ADD 1/2" TO EACH END OF OVERALL RUN LENGTH, EXCEPT FOR DADO END OR CLOSED PATTERN(S)

INSTALLATION NOTES:

- Cutout dimensions apply to all drywall trim options.
- Do not add additional allowance for patterns, squares and rectangles.
- A minimum depth of 4.75" above ceiling plane is required.
- Ensure 1/4 -20 threaded rod length is cut between 3.125" - 3.75" above finished ceiling plane
- 2 threaded rods required for each linear housing (3 for corner housing)

Example of a drywall cutout for a 17' run



OPTICAL

- Anidolic optical system with linear light extraction elements
- Precision extruded high transmittance clear acrylic lenses
- Long life LED system designed for TM21 lumen maintenance \geq L90 @ 60,000 h
- Available in CCTs 3000 K, 3500 K or 4000 K with CRI \geq 80 and R9 \geq 0, all with color accurate binning \leq 2 SDCM

CONSTRUCTION

- 20 ga. satin coat steel housing
- Extruded aluminum flange options available for drywall trim, trimless and t-bar grid ceilings

ELECTRICAL

- Integral high efficiency drivers 120 - 277 V or 347 V; 50 - 60 Hz
- Optional Battery Pack
- Optional flex whip: 6' prewired for standalone
- Surge Protection: Meets ANSI C82.11 spec and ANSI/IEEE C62.41
- Inrush Current: Meets NEMA 410

ENVIRONMENTAL

- Designed for use in damp or dry indoor environments with room side operating temperatures of 0 - 30° C (32 - 86° F)

WARRANTY

- 5 year limited warranty on all components and workmanship

INDEPENDENT TESTING

- IESNA LM79
- IESNA LM80 (LED@ 10,000 h)

APPROVALS

- UL Listed (USA + Canada)
- CCEA Chicago Plenum
- IC Rated