

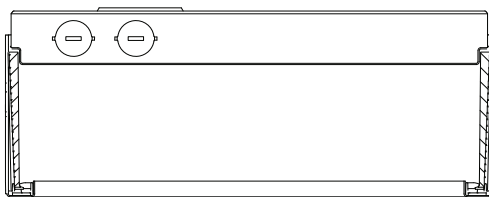


Specification Data

Luminaire	INBOX 1 X1 (NB1-11)	Type
Project		
Product		
Notes		



CROSS SECTION

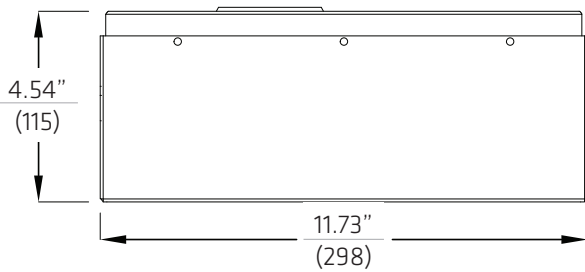


Performance Summary	Inbox 1 x 1 (4-Sided Optics)		
	A	B	C
Light (lm)	1800	2150	2600
Energy (W)	17	22	27
Efficacy (lm/W)	103	97	95
Color Rendering (CRI)	80+	80+	80+
Color Accuracy (SDCM)	< 2	< 2	< 2
L70 Estimate (h)	200,000	200,000	200,000
Lumen Maintenance per TM21 (@ 60,000 h)	L90	L90	L90

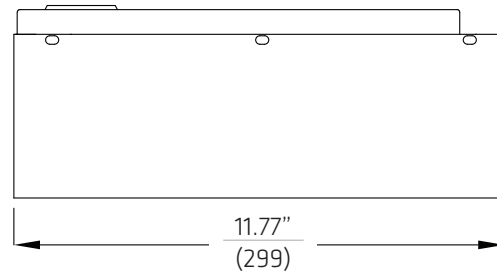
Note: Values are nominal and based on 4000K CCT

DIMENSIONS

inches
mm



FRONT VIEW



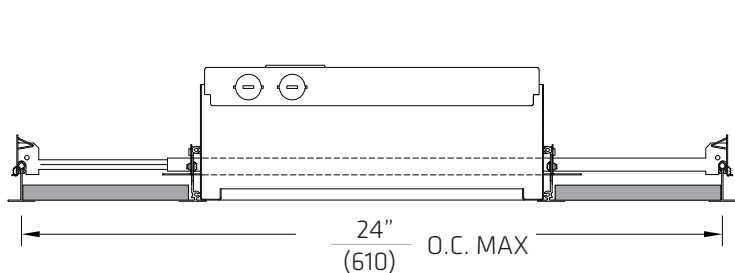
SIDE VIEW

SPECIFICATION

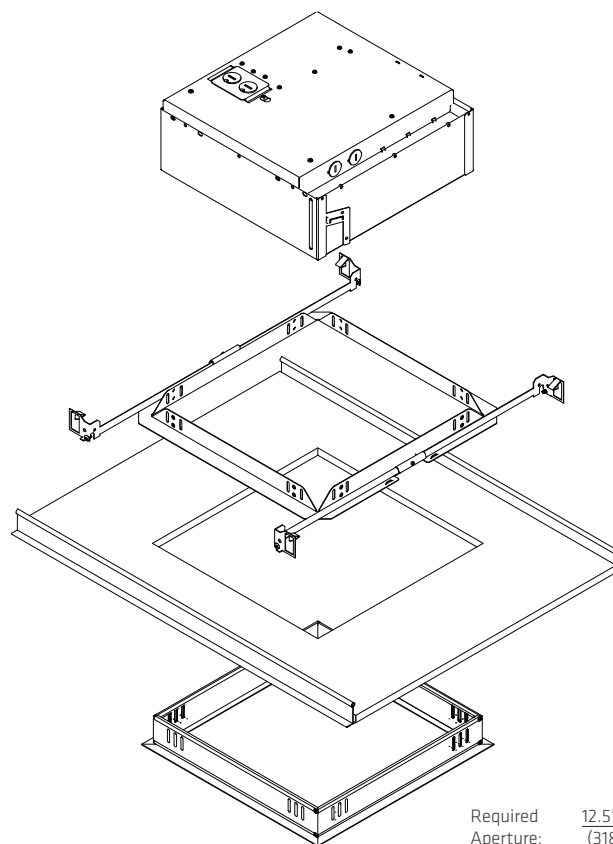
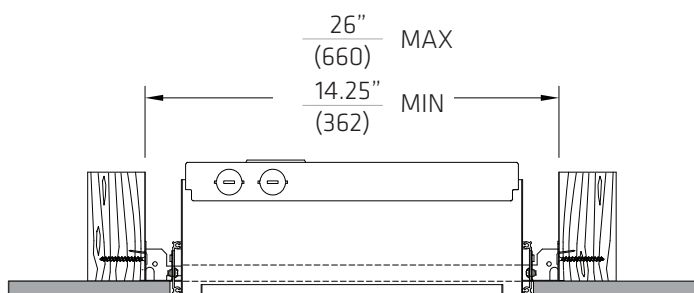
NB1	11								
1	2	3	4	5	6	OPTIONS			

1. FAMILY	2. SIZE	3. ENERGY ¹	4. CCT	5. DRIVER	6. VOLTAGE	OPTIONS
NB1 Inbox	11 1 x 1 (4-sided optics)	A 17 W B 22 W C 27 W	30 3000 K 35 3500 K 40 4000 K	E1 eldoLED ECO 0-10V Dim 1% E2 eldoLED SOLO 0-10V Dim 0.1% E3 eldoLED ECO DALI 1% E4 eldoLED SOLO DALI Dim 0.1% F1 Factory Non- Dim F2 Factory 0-10V Dim 3% L1 Lutron Hi-Lume 1%-H EcoSystem	M 120 - 277 V 3 347 V ²	B Battery Pack ³ C Chicago Plenum F 6' Flex Whip
		¹ Nominal Values (For 347V with E1-4/L1, add 3W to above)			² 347V Driver for F1/F2 347V Transformer + Driver for E1-4/L1	³ Available for 120-277V

CEILING INTEGRATION GRID



CEILING INTEGRATION DRYWALL



Required Aperture: 12.5" x 12.5" (318 x 318)

CONSTRUCTION

- Die formed 22 ga. cold rolled steel housing
- Quick wire access plate
- Flange kit supplied
- High reflectance diffuse white textured powdercoat

OPTICAL

- Anidolic optical structures with linear light extraction elements
- Precision extruded high transmittance clear acrylic lenses
- Long life LED system designed for typical TM21 lumen maintenance \geq L90 @ 60,000 h
- Available in CCTs 3000K, 3500 K or 4000 K with CRI \geq 80 and R9 \geq 0, all with color accurate binning \leq 2 SDCM

ELECTRICAL

- Integral high efficiency drivers 120 - 277 V or 347 V; 50 - 60 Hz
- Power Factor $>$ 0.90
- Total Harmonic Distortion $<$ 20%
- F2:0 - 10 V Dim Range: 3 - 100%
- Optional Battery Pack
- Optional Lutron: Hi-lume H-Series EcoSystem LED drivers for 100 - 1% (PWM) dim range
- Optional flex whip: 6' prewired
- Surge Protection: Meets ANSI C82.11 spec and ANSI/IEEE C62.41
- Inrush Current: Meets NEMA 410

WEIGHT

- Maximum 9 lb. (4.1 kg)
- Maximum 13 lb. (5.9 kg) with battery pack

WARRANTY

- 5 year limited warranty on all components and workmanship

ENVIRONMENTAL

- Designed for use in damp or dry indoor environments with room side operating temperatures of 0 - 30° C (32 - 86° F)

INDEPENDENT TESTING

- IESNA LM79
- IESNA LM80 (LED@10,000 h)

APPROVALS

- UL Listed (USA + Canada)
- IC Rated
- CCEA Chicago Plenum