

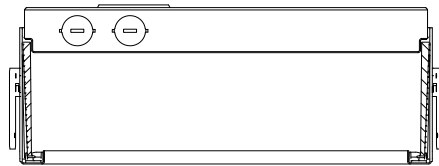


# Specification Data

Luminaire	INBOX 1 X 2 (NB2-12)	Type
Project		
Product		
Notes		



CROSS SECTION

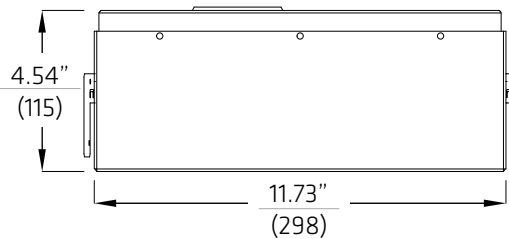


Performance Summary	Inbox 1 x 2		
	A	B	C
Light (lm)	2250	2800	3500
Energy (W)	23	29	38
Efficacy (lm/W)	99	97	91
Color Rendering (CRI)	80+	80+	80+
Color Accuracy (SDCM)	< 2	< 2	< 2
L70 Estimate (h)	200,000	200,000	200,000
Lumen Maintenance per TM21 (@ 60,000 h)	L90	L90	L90

Note: Values are nominal and based on 4000K CCT

DIMENSIONS

inches  
(mm)



FRONT VIEW

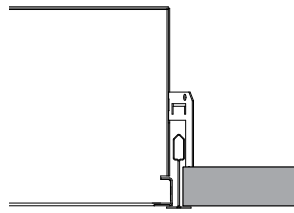


SIDE VIEW

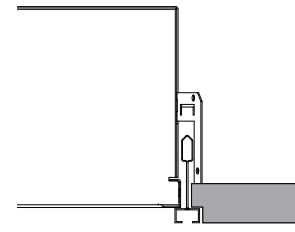
SPECIFICATION

NB2		12						OPTIONS	
1	2	3	4	5	6				
1. FAMILY	2. SIZE	3. ENERGY <sup>1</sup>	4. CCT	5. DRIVER	6. VOLTAGE	OPTIONS			
<b>NB2</b> Inbox	<b>12</b> 1 x 2 (2-sided optics)	<b>A</b> 23 W	<b>30</b> 3000 K	<b>E1</b> eldoLED ECO 0-10V Dim 1%	<b>M</b> 120 - 277 V <b>3</b> 347 V <sup>3</sup>	<b>B</b> Battery Pack <sup>4</sup> <b>C</b> Chicago Plenum <b>F</b> 6' Flex Whip <b>K</b> Drywall Flange Kit			
	<b>14</b> 1 x 4 (2-sided optics)	<b>B</b> 29 W	<b>35</b> 3500 K	<b>E2</b> eldoLED SOLO 0-10V Dim 0.1%					
	<b>22</b> 2 x 2 (2-sided optics)	<b>C</b> 38 W	<b>40</b> 4000 K	<b>E3</b> eldoLED ECO DALI 1%					
	<b>24</b> 2 x 4 (2-sided optics)	<b>D</b> 47 W <sup>2</sup>		<b>E4</b> eldoLED SOLO DALI Dim 0.1%					
<b>NB1</b> Inbox	<b>22</b> 2 x 2 (4-sided optics)	<sup>1</sup> Add 4W to above for 347V with E1-4/L1		<b>F1</b> Factory Non- Dim	<sup>3</sup> 347 V Driver for F1/F2 347 V Transformer & Driver E1-4/L1	<sup>4</sup> Available for 120-277V			
		<sup>2</sup> 1 x 4   2 x 4   2 x 2 (4 sided) only		<b>F2</b> Factory 0-10V Dim 3%			<b>L1</b> Lutron Hi-Lume 1%-H EcoSystem		

CEILING INTEGRATION GRID

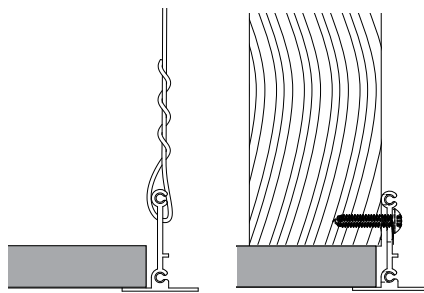


FLAT GRID

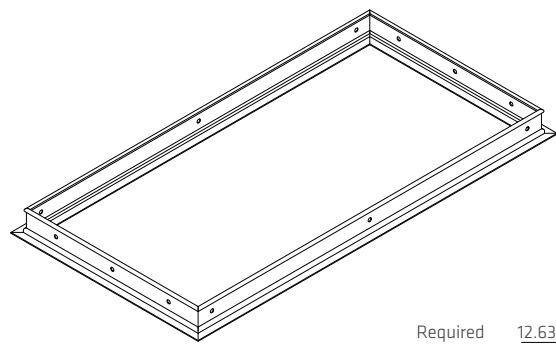


SLOT GRID

CEILING INTEGRATION DRYWALL



DRYWALL FLANGE KIT



Required Aperture: 12.63" x 24.63" (321 x 625)

**CONSTRUCTION**

- Die formed 22 ga. steel housing
- Quick wire access plate and integral seismic restraint tabs/tie-offs
- Option for (K) drywall flange kit
- High reflectance diffuse white textured powdercoat

**OPTICAL**

- Anidolic optical structures with linear light extraction elements
- Precision extruded high transmittance clear acrylic lenses
- Long life LED system designed for typical TM21 lumen maintenance  $\geq$  L90 @ 60,000 h
- Available in CCTs 3000 K, 3500 K or 4000 K with CRI  $\geq$  80 and R9  $\geq$  0, all with color accurate binning  $\leq$  2 SDCM

**ELECTRICAL**

- Integral high efficiency drivers 120 - 277 V or 347 V; 50 - 60 Hz
- Power Factor  $>$  0.90
- Total Harmonic Distortion  $<$  20%
- F2:0 - 10 V Dim Range: 3 - 100%
- Optional Battery Pack
- Optional Lutron: Hi-lume H-Series EcoSystem LED drivers for 100 - 1% (PWM) dim range
- Optional flex whip: 6' prewired
- Surge Protection: Meets ANSI C82.11 spec and ANSI/IEEE C62.41
- Inrush Current: Meets NEMA 410

**WEIGHT**

- Maximum 11 lb (4.8 kg)
- Maximum 15 lb (6.8 kg) with battery pack

**WARRANTY**

- 5 year limited warranty on all components and workmanship

**ENVIRONMENTAL**

- Designed for use in damp or dry indoor environments with room side operating temperatures of 0 - 30° C (32 - 86° F)

**INDEPENDENT TESTING**

- IESNA LM79
- IESNA LM80 (LED@ 10,000 h)

**APPROVALS**

- UL Listed (USA + Canada)
- CCEA Chicago Plenum
- Lighting Facts®
- IC Rated

Product	Inbox 1x2	Description	Performance Summary		Light (lm)	Energy (W)	Efficacy (lm/W)	Color Accuracy (CRI) (R9) (SDCM)		
Version	NB2-12A40	1x2 LED A Lumens CCT 4000 K	CCT Color Temperature	4000 K	2277	23.0	99	82.5	7.8	< 2
Report	FLUXWERX			3500 K	2275	23	99	83.9	12.9	< 2
				3000K	2167	23	94	83	8.5	< 2

100% Dn

**CANDLEPOWER DISTRIBUTION**

Vertical Angle	Horizontal Angle				Zonal Lumens
	0°	22.5°	45°	67.5°	90°
0°	529	529	529	529	529
5°	526	529	527	526	526
15°	510	514	588	645	664
25°	479	538	662	722	736
35°	433	543	657	696	706
45°	373	506	595	607	605
55°	301	433	491	474	459
65°	220	343	362	307	301
75°	134	224	192	165	156
85°	42	65	50	49	50
90°	1	1	1	1	1
95°					
105°					
115°					
125°					
135°					
145°					
155°					
165°					
175°					
180°					

**LUMEN SUMMARY**

Zone	Lumens	% Lamp	% Fixture
0-30°	509	N.A.	22
0-60°	1712	N.A.	75
0-90°	2277	N.A.	100
90-180°	0	N.A.	0
<b>Total Luminaire</b>	<b>2277</b>	<b>N.A.</b>	<b>100</b>

**LUMINANCE DATA (CD/M<sup>2</sup>)**

Vertical Angle	0°	45°	90°
45°	3462	5528	5616
55°	3448	5618	5259
65°	3415	5630	4680
75°	3388	4883	3959
85°	3150	3783	3799

**CO-EFFICIENTS OF UTILIZATION**

Floor Ceiling Wall	80				70				20				50				30				10				0			
	70	50	30	10	70	50	30	10	50	10	50	10	50	10	50	10	50	10	50	10	50	10	50	10	50	10	50	10
0	119	119	119	119	116	116	116	116	111	111	106	106	102	102	100	100	100	100	100	100	100	100	100	100	100	100	100	100
1	108	103	98	94	105	100	92	96	89	92	87	89	84	82	82	82	82	82	82	82	82	82	82	82	82	82	82	82
2	97	89	81	75	95	87	74	83	72	80	71	77	69	67	67	67	67	67	67	67	67	67	67	67	67	67	67	67
3	88	77	68	61	86	75	61	72	60	69	59	67	58	55	55	55	55	55	55	55	55	55	55	55	55	55	55	55
4	80	68	58	51	78	66	51	64	50	61	49	59	49	46	46	46	46	46	46	46	46	46	46	46	46	46	46	46
5	73	60	50	43	71	59	43	57	43	55	42	53	42	39	39	39	39	39	39	39	39	39	39	39	39	39	39	39
6	68	54	44	37	66	53	37	51	37	49	37	47	36	34	34	34	34	34	34	34	34	34	34	34	34	34	34	34
7	62	48	39	33	61	47	33	46	32	44	32	43	32	30	30	30	30	30	30	30	30	30	30	30	30	30	30	30
8	58	44	35	29	56	43	29	42	28	40	28	39	28	26	26	26	26	26	26	26	26	26	26	26	26	26	26	26
9	54	40	31	26	52	39	26	38	25	37	25	36	25	23	23	23	23	23	23	23	23	23	23	23	23	23	23	23
10	50	37	28	23	49	36	23	35	23	34	23	33	23	21	21	21	21	21	21	21	21	21	21	21	21	21	21	21

Integrating Sphere and Photometric results at 4000K , 38W (C) by an independent accredited testing laboratory per IES LM-79-2008 and ANSI C78.377-2011. Results for 3000K, 3500K scaled based on integrating sphere results at 38W (C) and 2x2-4sided integrated sphere results for Lumen outputs A, B, C. Candlepower Distribution scaled per total lumens of Integrating Sphere results.

Product	Inbox 1x2	Description	Performance Summary		Light (lm)	Energy (W)	Efficacy (lm/W)	Color Accuracy (CRI) (R9) (SDCM)		
Version	NB2-12B40	1x2 LED B Lumens CCT 4000 K	CCT Color Temperature	4000 K	2803	28.8	97	82.5	7.8	< 2
Report	FLUXWERX			3500 K	2800	28.8	97	83.9	12.9	< 2
				3000K	2667	28.7	93	83	8.5	< 2

100% Dn

**CANDLEPOWER DISTRIBUTION**

Vertical Angle	Horizontal Angle				Zonal Lumens
	0°	22.5°	45°	67.5°	90°
0°	651	651	651	651	651
5°	648	651	649	648	647
15°	628	632	723	793	818
25°	590	662	814	889	906
35°	533	668	808	856	869
45°	459	623	733	747	744
55°	371	532	604	584	565
65°	270	422	446	378	371
75°	164	275	237	203	192
85°	51	80	62	60	62
90°	1	2	1	1	2
95°					
105°					
115°					
125°					
135°					
145°					
155°					
165°					
175°					
180°					

**LUMEN SUMMARY**

Zone	Lumens	% Lamp	% Fixture
0-30°	626	N.A.	22
0-60°	2108	N.A.	75
0-90°	2803	N.A.	100
90-180°	0	N.A.	0
<b>Total Luminaire</b>	<b>2803</b>	<b>N.A.</b>	<b>100</b>

**LUMINANCE DATA (CD/M<sup>2</sup>)**

Vertical Angle	0°	45°	90°
45°	4262	6806	6913
55°	4244	6916	6474
65°	4203	6929	5760
75°	4170	6012	4873
85°	3874	4658	4673

**CO-EFFICIENTS OF UTILIZATION**

Floor Ceiling Wall	80				70				20				50				30				10				0			
	70	50	30	10	70	50	30	10	50	10	50	10	50	10	50	10	50	10	50	10	50	10	50	10	50	10	50	10
0	119	119	119	119	116	116	116	116	111	111	106	106	102	102	100	100	100	100	100	100	100	100	100	100	100	100	100	100
1	108	103	98	94	105	100	92	96	89	92	87	89	84	82	82	82	82	82	82	82	82	82	82	82	82	82	82	82
2	97	89	81	75	95	87	74	83	72	80	71	77	69	67	67	67	67	67	67	67	67	67	67	67	67	67	67	67
3	88	77	68	61	86	75	61	72	60	69	59	67	58	55	55	55	55	55	55	55	55	55	55	55	55	55	55	55
4	80	68	58	51	78	66	51	64	50	61	49	59	49	46	46	46	46	46	46	46	46	46	46	46	46	46	46	46
5	73	60	50	43	71	59	43	57	43	55	42	53	42	39	39	39	39	39	39	39	39	39	39	39	39	39	39	39
6	68	54	44	37	66	53	37	51	37	49	37	47	36	34	34	34	34	34	34	34	34	34	34	34	34	34	34	34
7	62	48	39	33	61	47	33	46	32	44	32	43	32	30	30	30	30	30	30	30	30	30	30	30	30	30	30	30
8	58	44	35	29	56	43	29	42	28	40	28	39	28	26	26	26	26	26	26	26	26	26	26	26	26	26	26	26
9	54	40	31	26	52	39	26	38	25	37	25	36	25	23	23	23	23	23	23	23	23	23	23	23	23	23	23	23
10	50	37	28	23	49	36	23	35	23	34	23	33	23	21	21	21	21	21	21	21	21	21	21	21	21	21	21	21

Product	Inbox 1x2	Description	Performance Summary					Light (lm)	Energy (W)	Efficacy (lm/W)	Color Accuracy		
Version	NB2-12C40	1x2 LED C Lumens CCT 4000 K	CCT Color Temperature	4000 K	3501	38.34	91.3	82.5	7.8	< 2			
Report	1193437			3500 K	3497	38.2	91	83.9	12.9	< 2			
				3000K	3331	38.2	87	83	8.5	< 2			

100% Dn

### CANDLEPOWER DISTRIBUTION

Vertical Angle	Horizontal Angle					Zonal Lumens
	0°	22.5°	45°	67.5°	90°	
0°	813	813	813	813	813	
5°	809	813	811	809	808	78
15°	785	790	903	991	1021	256
25°	737	826	1017	1110	1131	448
35°	665	835	1010	1069	1085	591
45°	573	778	915	932	929	649
55°	463	665	754	729	706	609
65°	338	527	557	472	463	483
75°	205	344	296	253	240	296
85°	64	100	77	75	77	89
90°	1	2	2	2	2	
95°	0	0	0	0	0	0
105°	0	0	0	0	0	0
115°	0	0	0	0	0	0
125°	0	0	0	0	0	0
135°	0	0	0	0	0	0
145°	0	0	0	0	0	0
155°	0	0	0	0	0	0
165°	0	0	0	0	0	0
175°	0	0	0	0	0	0
180°	0	0	0	0	0	0

### LUMEN SUMMARY

Zone	Lumens	% Lamp	% Fixture	
0-30°	782	N.A.	22	
0-60°	2632	N.A.	75	
0-90°	3501	N.A.	100	
90-180°	0	N.A.	0	
<b>Total Luminaire</b>	<b>0-180°</b>	<b>3501</b>	<b>N.A.</b>	<b>100</b>

### LUMINANCE DATA (CD/M<sup>2</sup>)

Vertical Angle	Horizontal Angle		
	0°	45°	90°
45°	5322	8499	8633
55°	5300	8637	8085
65°	5249	8653	7193
75°	5208	7507	6086
85°	4839	5818	5833

### CO-EFFICIENTS OF UTILIZATION

Floor Ceiling	80				70				20				30				10				0			
	70	50	30	10	70	50	30	10	50	30	10	0	50	30	10	0	50	30	10	0	50	30	10	0
0	119	119	119	119	116	116	116	111	111	106	106	102	102	100										
1	108	103	98	94	105	100	92	96	89	92	87	88	84	82										
2	97	89	81	75	95	87	74	83	72	80	71	77	69	67										
3	88	77	68	61	86	75	61	72	60	69	59	67	58	55										
4	80	68	58	51	78	66	51	64	50	61	49	59	49	46										
5	73	60	50	43	71	59	43	57	43	55	42	53	42	39										
6	68	54	44	37	66	53	37	51	37	49	37	47	36	34										
7	62	48	39	33	61	47	33	46	32	44	32	43	32	30										
8	58	44	35	29	56	43	29	42	28	40	28	39	28	26										
9	54	40	31	26	52	39	26	38	25	37	25	36	25	23										
10	50	37	28	23	49	36	23	35	23	34	23	33	23	21										

Integrating Sphere and Photometric results at 4000K , 38W (C) by an independent accredited testing laboratory per IES LM-79-2008 and ANSI C78.377-2011. Results for 3000K, 3500K scaled based on integrating sphere results at 38W (C) and 2x2-4sided integrated sphere results for Lumen outputs A, B, C. Candlepower Distribution scaled per total lumens of Integrating Sphere results.