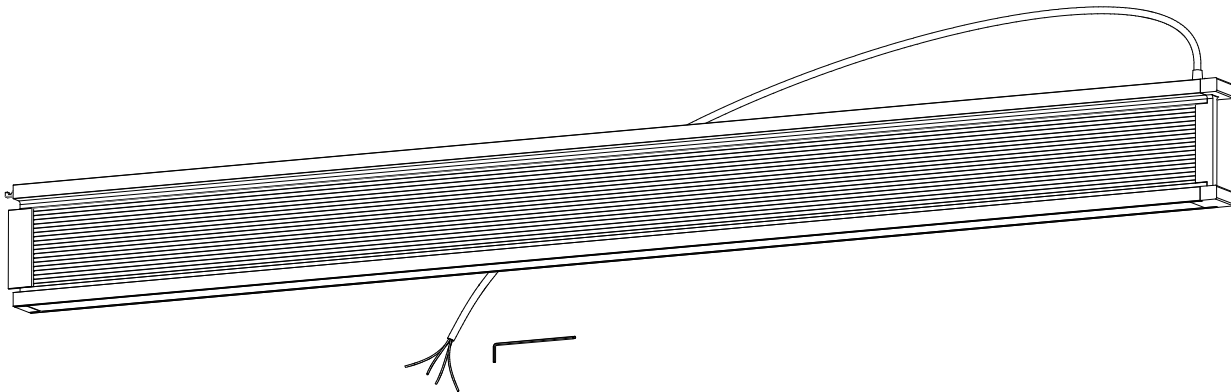


# Install Instruction

## VU1 - VIEW LED SUSPENDED



### TOOLS REQUIRED

**Tools:**

- Level
- Sharp Side Cutter
- Measuring Tool
- Wire Stripper / Knife
- Phillips Screwdriver



### IMPORTANT

READ BEFORE BEGINNING INSTALLATION:

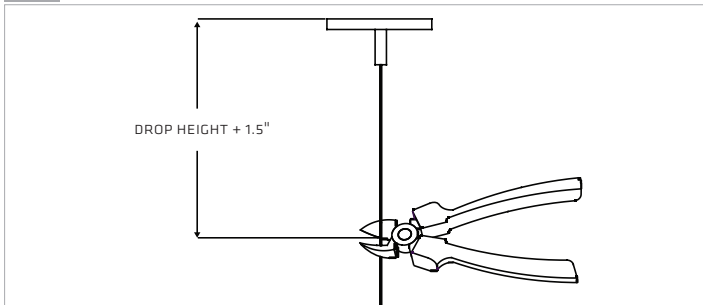
- **Do not** join fixture lengths together on the floor and lift into place. This introduces significant forces on the joins and will damage the fixtures
- All fixtures should be installed in accordance with national and local building and electrical codes.
- Leave the protective bag on the fixture during installation

### 1 INSTALL CEILING DRIVER ENCLOSURE

***Refer to Driver Enclosure Installation Documents  
+ Row Configuration Document***

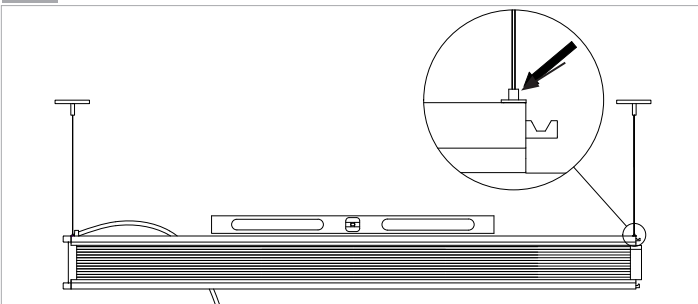
Install ceiling driver enclosure and aircraft cable suspension per appropriate ceiling type installation instructions – noting the fixture spacing and that the non-power suspension point is NOT the end suspension point.

**2 TRIM AIRCRAFT CABLE**



Trim aircraft cable to length (drop height from ceiling to top of fixture + 1.5") with a sharp side cutter, minimizing any frayed ends. Fixture can accept a max. length of up to 2" of aircraft cable. Aircraft cable gripping mechanism needs min. 1" aircraft cable inserted.

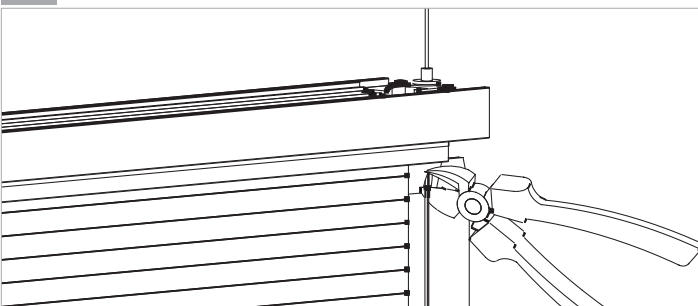
**4 LIFT INTO POSITION + LEVEL**



1. Lift first fixture section (or individual fixture if stand-alone) into place.
2. Insert the aircraft cables into both ends of the fixture mounts.
3. Adjust height and level the fixture section. The aircraft cable gripper is released by pressing down on the inner tube.

If stand-alone fixture, go to step #8.

**5 CUT AIRCRAFT CABLE AT JOIN**



For Joining Ends:  
Bend cable up and cut cable near exit point so cable does not protrude out.

**3 LAY OUT LUMINAIRES**

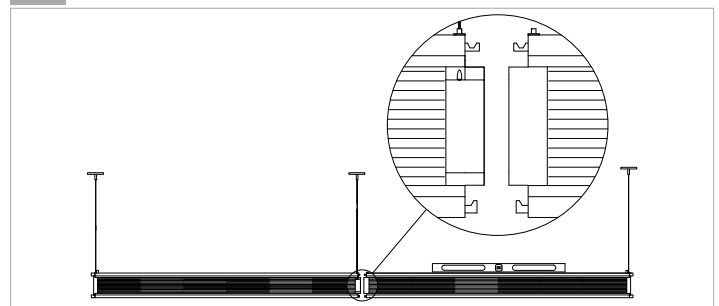
*Refer to Row Configuration Document*

Lay the fixture sections out to ensure the correct sections with ends and joints are supplied. Note that runs will have a Non-Power suspension point located one point in from the end of the run. Ensure fixture sections are laid out to match the Power suspension points that were done on the ceiling.

**NOTE:**

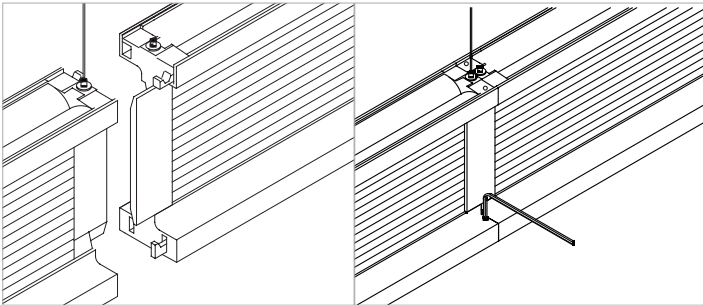
1. For Drywall and Surface ceiling types, ensure to feed the aircraft cable through the canopy cover and threaded sleeve before inserting the cable into the fixture mount.
2. Leave the protective bag on the fixture during installation.

**6 JOIN FIXTURES + LEVEL**



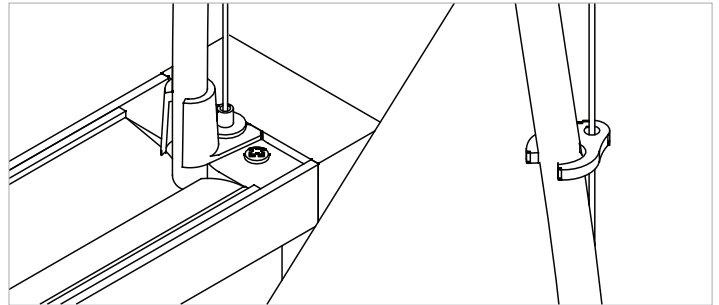
1. Lift the next fixture section into place and insert the one aircraft cable on the far end and join the other end to the previous fixture section by pressing the two fixtures together.
2. Level the end of the fixture by adjusting the aircraft cable in the gripper.

**7 SECURE JOINS**



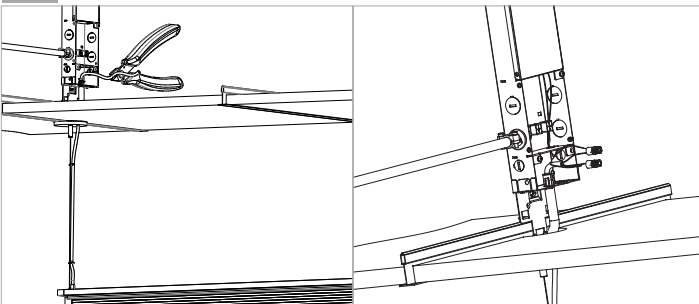
1. Using an allen key tool, tighten all 4 set screws at the joint until the fixture joint is tight and secure (using supplied allen key tool).
2. Repeat steps 5, 6 + 7 with each fixture section.

**8 ATTACH POWER CORD**



1. Clip fixture end of cord into the cord restraint, ensuring the black heat shrink is below the top of the cord restraint.
2. Lift low-voltage power cord up to ceiling box and attach cord clips.

**9 CONNECT TO J-BOX**



1. Determine the length of cord required.
2. Cut off the excess.
3. Strip the jacket and wires.
4. Connect to the blue and red wires in the low voltage junction box.

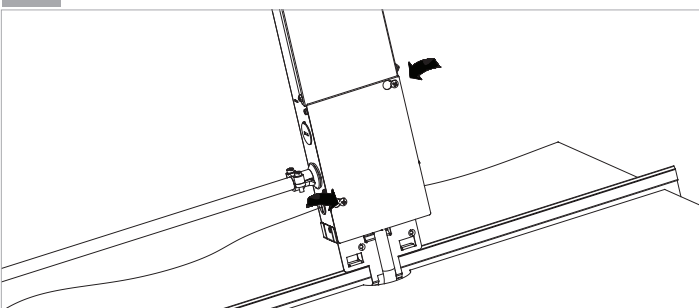
NOTE: Depending on ceiling type, the canopy may need to be slid down the cord to complete the low voltage wiring.

**NOTE:**

4 conductor cords have a red + blue stripe pair and a red + blue solid pair – ensure the pairs are maintained in junction box connections.

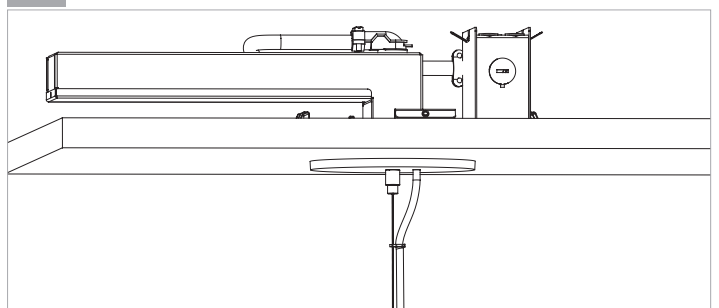
- The solid pair connects to the 4 foot section of fixture nearest the cord.
- The striped pair connects the 4 foot section furthest from the cord.
- Connect the pairs to the appropriate driver circuit (for 2 circuit module, solid pair is circuit 2, striped pair is circuit 1).
- If driver enclosure has only one pair of output wires, connect all red wires together (3) and all blue wires together (3).

**10A T-BAR APPLICATIONS: CLOSE WIRING LID**



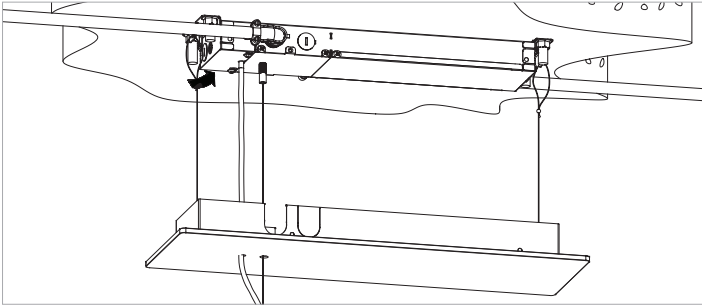
For T-bar ceilings: Close the wiring lid.

**10B DRYWALL APPLICATIONS: INSTALL CANOPY**



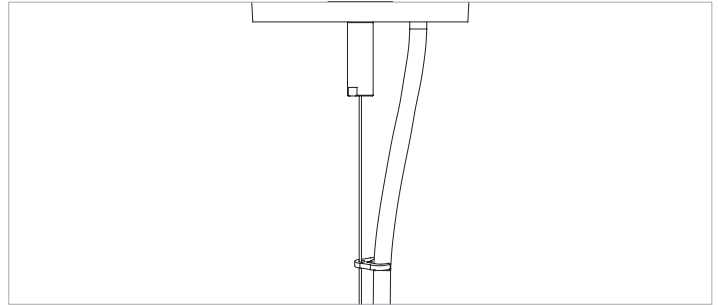
For Drywall ceilings: Lift the canopy into place and tighten the sleeve.

**10C SURFACE APPLICATIONS: INSTALL COVER ASSEMBLY**



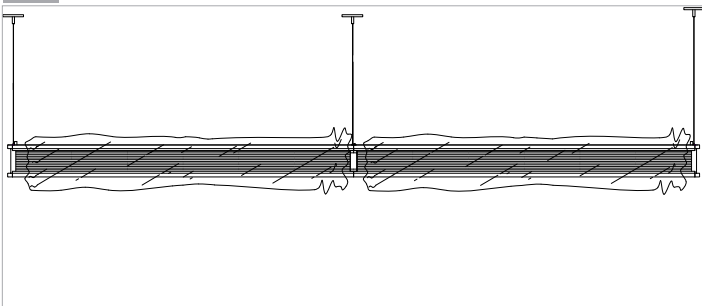
For Surface Mount: Close the low voltage wiring lid, install the cover assembly into place, and tighten the sleeve.

**11 SECURE CORD + APPLY POWER**



1. Stretch the cord up and reset the cord clips to hold the cord inline with the aircraft cable.
2. Apply power to the driver circuit(s).

**12 REMOVE BAG LATER**



1. Leave the protective bag on the fixtures until construction and furniture are complete.
2. Fixture can be operated as normal with the bag on.
3. Tear bag at perforation, do not use knives or tools.